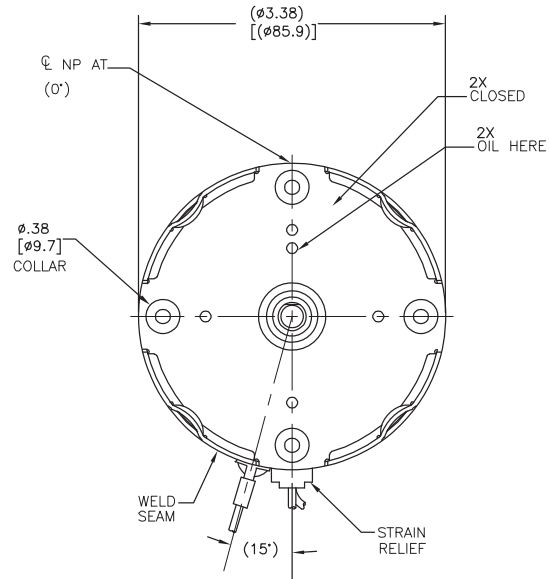
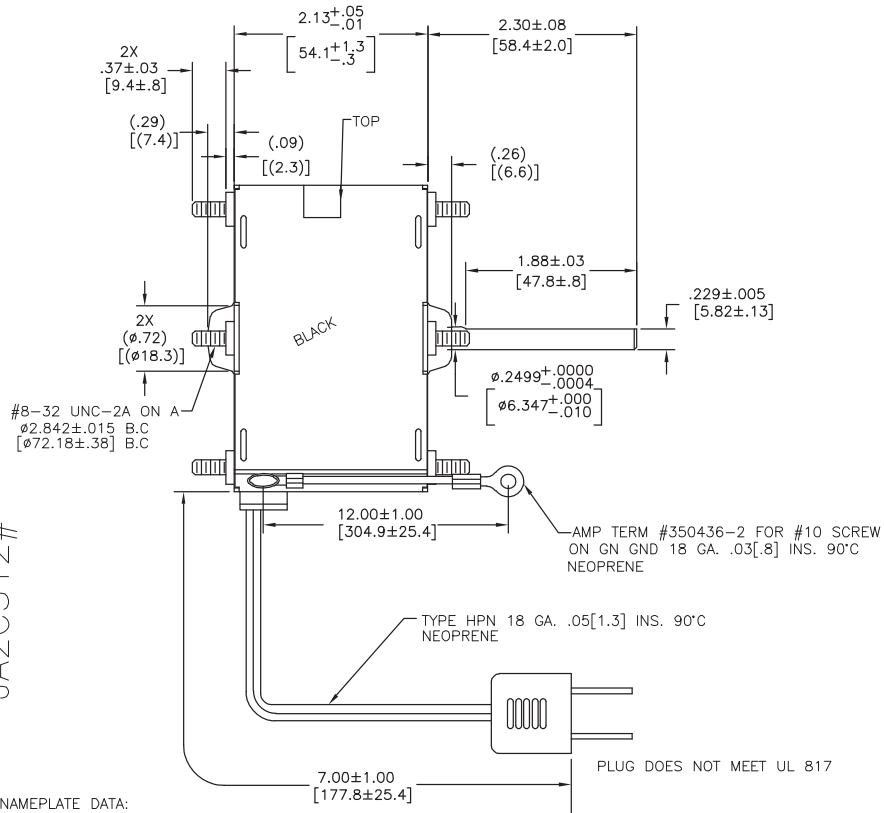


Uncontrolled Copy

REV	ECO	REV BY	DATE	APPD	DATE
BB	0011160	TZ	06-08-2010	KG	06-08-2010

END PLAY .04[1.0] MAX.

CUSTOMER IS SOLELY RESPONSIBLE FOR MOTOR PERFORMANCE AND SUITABILITY IN APPLICATIONS FOR CUSTOMER'S USES



ELECTRICALLY PER SAMPLE S-2849B-3 & 4 EXCEPT CONST.

CWLE-CWSE

NAMEPLATE DATA:

AC Smith Universal Electric® Motor Tipp City, OH
IMPEDANCE PROTECTED

SER. DAT PLT MOD. JA2C312#
115V 60HZ .60A 1550RPM 1/70HP 1PH CONT AO

ROTAION STOCK NO. 510
ASSEMBLED IN MEXICO

ASSEMBLED IN MEXICO

GEOMETRIC CHARACTERISTICS & SYMBOLS
 □ FLATNESS
 - STRAIGHTNESS
 < ANGLARITY
 ⊥ PERPENDICULARITY (SQUARENESS)
 // PARALLELISM
 ○ ROUNDNESS (CIRCULARITY)
 ∅ CYLINDRICITY
 △ PROFILE OF ANY SURFACE
 ∩ PROFILE OF ANY LINE
 ↗ RUNOUT
 ⊕ TRUE POSITION
 ⊙ CONCENTRICITY
 = SYMMETRY

UNLESS OTHERWISE SPECIFIED DIM. TOLERANCES ARE AS FOLLOWS:
 INCH ±.1 ±.02 ±.005 ±.0005
 mm ±0.5 ±0.13 ±0.013
 ANG. ±.50 DEG
 REMOVE BURRS & BREAK SHARP EDGES:
 INCH .003-.015 mm 0.1-0.4
 CORNER FILLETS TO:
 INCH .020 mm 0.5
 MACHINE SURFACES:
 INCH 125 mm 3.2
 METRIC DIMS. SHOWN IN [BRACKETS]

DR BY: DD
 APPD:
 THIRD ANGLE PROJECTION
 EDS DATE 02-22-2008
 FORMAT REV F
 CONFIDENTIAL: THIS DRAWING AND ITS INFORMATION ARE THE EXCLUSIVE AND CONFIDENTIAL PROPERTY OF A.O. SMITH CORP. AND ARE NOT TO BE DISCLOSED, DUPLICATED, DISTRIBUTED OR OTHERWISE USED WITHOUT THE WRITTEN CONSENT OF A.O. SMITH CORP.
 -ALL RIGHTS RESERVED. ASME Y14.5M 1994

AC Smith ELECTRICAL PRODUCTS COMPANY
 Innovation has a name. A DIVISION OF A. O. SMITH CORPORATION
 DESCRIPTION OUTLINE DISTRIBUTION SERVICES
 SIZE C DWG NO JA2C312
 SCALE NONE SHEET 1

JA2C312#

JA2C312#