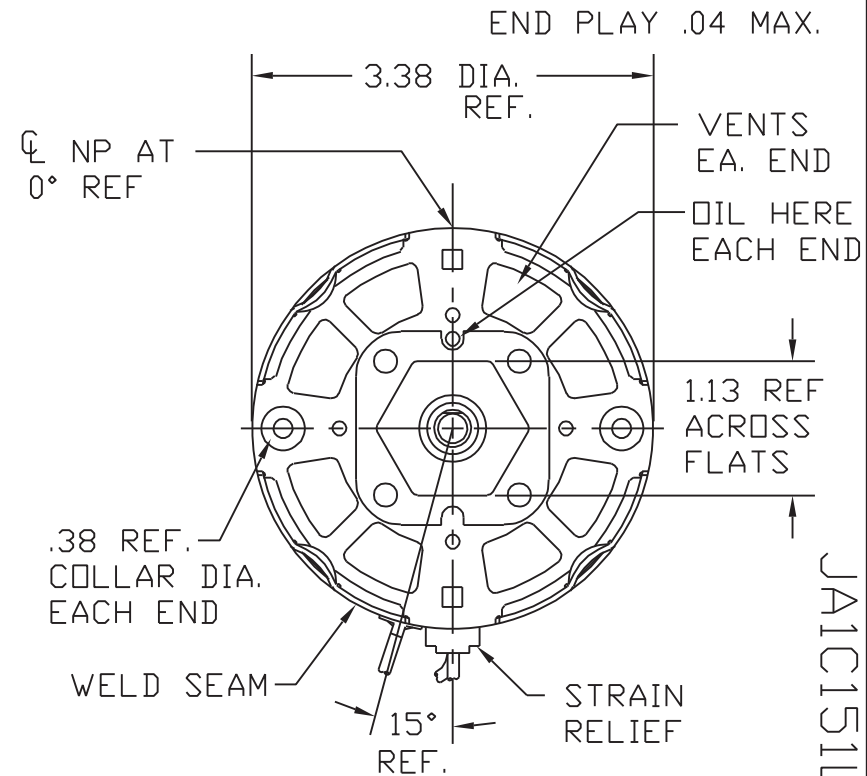
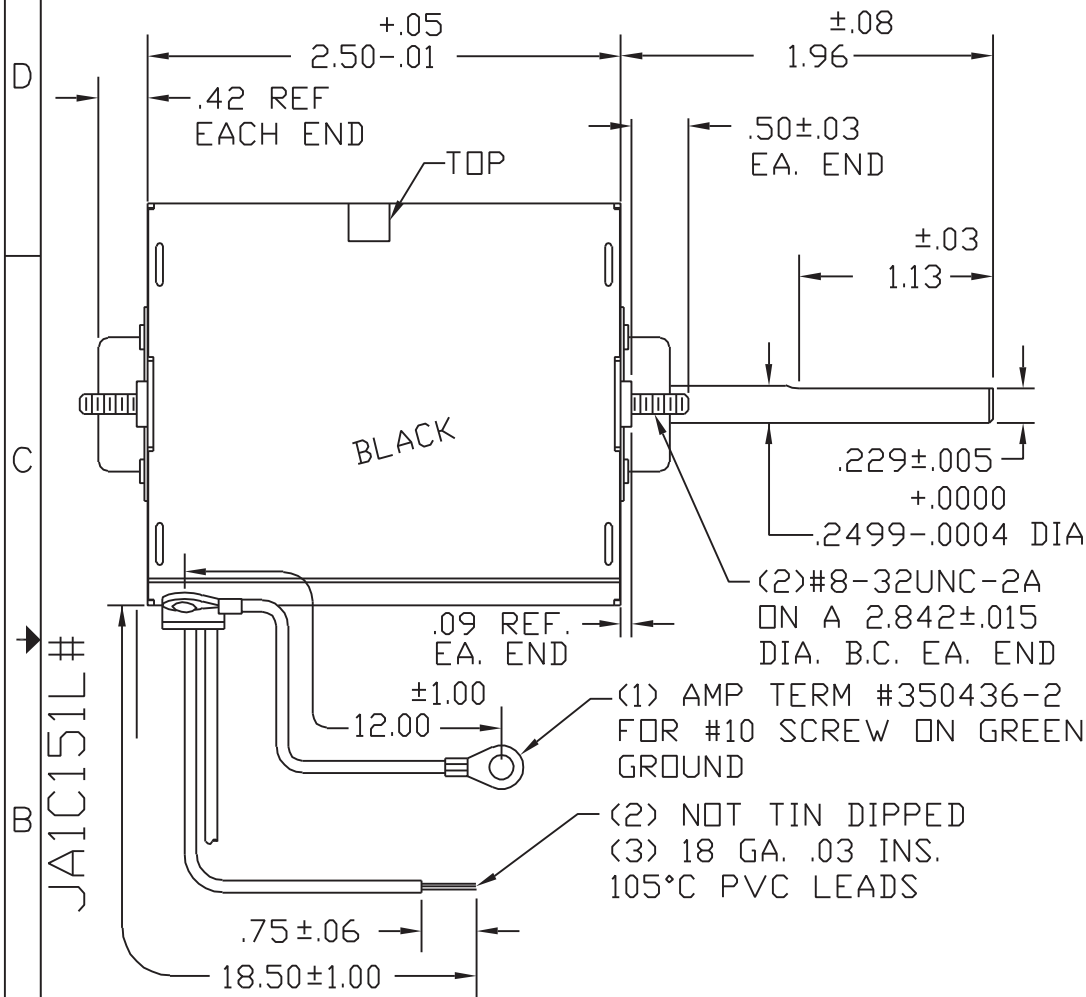


CUSTOMER IS SOLELY RESPONSIBLE FOR MOTOR PERFORMANCE AND SUITABILITY IN APPLICATIONS FOR CUSTOMER'S USES

REV	DATE	ECN	DESCRIPTION	REV BY	APPD
Y	2002/07/10	00M35169	REACTIVATED B.O.M.	therob	



NAMEPLATE DATA:

A.O. SMITH
 Universal Electric™ Motor Tipp City, OH IMPEDANCE PROTECTED
 SER. DATE PO, PLTY MOD JA1C151L#
 115V 60HZ .55A 3000RPM 1/80HP 1PH CONT AO
 ← ROTATION → STOCK NO. 541

ELECTRICALLY PER
 SAMPLE S-6381D
 EXCEPT CONST.

CCWLE-CWSE BOM CHG [Y]

DO NOT SCALE	UNLESS OTHERWISE SPECIFIED DIM ARE IN INCHES X = .1 XX = .01 XXX = .005 XXXX = .0005 ANG = .1	DR BY: WJC	A.O. SMITH ELECTRICAL PRODUCTS COMPANY <small>A DIVISION OF A. O. SMITH CORPORATION 421 COMMERCE ST., RIPLEY TN, 38063</small>
RFHP	THE INFORMATION HEREON IS THE PROPERTY OF A.O. SMITH ELECTRICAL PRODUCTS CO. WITHOUT WRITTEN PERMISSION, ANY COPYING, TRANSMITTAL TO OTHERS, AND ANY USE EXCEPT THAT FOR WHICH IT IS LOANED, IS PROHIBITED.	CK BY:	TITLE: AFTERMARKET
AUTOCAD FORM 3	THIRD ANGLE PROJECTION	APPD:	SIZE: C DWG NO: JA1C151 REV: Y
		ISS:	SCALE: 1=1 SHEET 1 OF 1