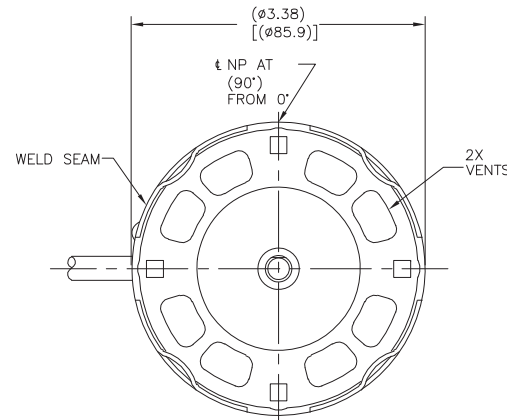
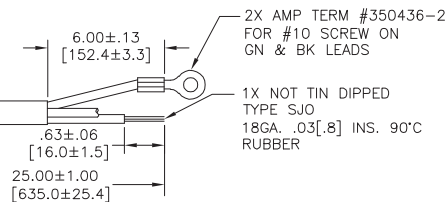
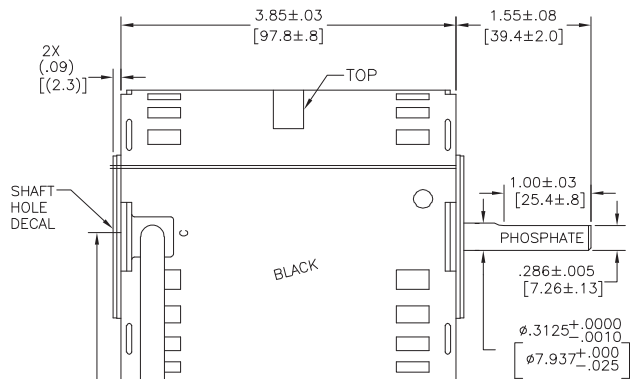


# Uncontrolled Copy

CUSTOMER IS SOLELY RESPONSIBLE FOR MOTOR PERFORMANCE AND SUITABILITY IN APPLICATIONS FOR CUSTOMER'S USES

REV	ECO	REV BY	DATE	APPD	DATE
AG	0027413	I. ORTIZ	07-16-2012	G. ALVIDREZ	07-16-2012

OLE BEARING PRELOAD



NOTE:  
 1/9 HP MIN. @ 1550RPM  
 75°C±5°C @ (120V)  
 COIL TEMPERATURE

NAMEPLATE DATA:

**Century** THERMALLY PROTECTED Tipp City, OH  
 SER. DATE, PLT MOD JB2S021N'  
 115V 60HZ 3.15A 1550RPM 1/10HP CONT AO 1PH  
 BALL BEARINGS CLASS B INS MAX AMB 40°C  
 ROTATION → STOCK NO. 621 A01107  
 ASSEMBLED IN MEXICO

ELECTRICALLY PER  
 SAMPLE S-5129C-1  
 EXCEPT CONST.  
 [CWLE-CCWSE]

[AFTERMARKET]

GEOMETRIC CHARACTERISTICS & SYMBOLS	
∠	FLATNESS
-	STRAIGHTNESS
∠	ANGULARITY
⊥	PERPENDICULARITY (SQUARENESS)
//	PARALLELISM
○	ROUNDNESS (CIRCULARITY)
⊘	CYLINDRICITY
△	PROFILE OF ANY SURFACE
∧	PROFILE OF ANY LINE
↗	RUNOUT
⊕	TRUE POSITION
⊙	CONCENTRICITY
≡	SYMMETRY

UNLESS OTHERWISE SPECIFIED  
 DIM. TOLERANCES ARE AS FOLLOWS:  
 INCH .1 ±.02 ±.005 ±.0005  
 mm ±0.5 ±0.13 ±0.013  
 ANG. ±.50 DEG  
 REMOVE BURRS & BREAK SHARP EDGES:  
 INCH .003-.015 mm 0.1-0.4  
 CORNER FILLETS TO:  
 INCH .020 mm 0.5  
 MACHINE SURFACES:  
 INCH 125 mm 3.2  
 METRIC DIMS. SHOWN IN [BRACKETS]

DR BY:

APPD:

THIRD ANGLE PROJECTION

EDS DATE 11-11-2011  
 FORMAT REV H

CONFIDENTIAL: THIS DRAWING AND ITS INFORMATION ARE THE EXCLUSIVE AND CONFIDENTIAL PROPERTY OF REGAL-BELOIT CORPORATION AND ARE NOT TO BE DISCLOSED, DUPLICATED, DISTRIBUTED OR OTHERWISE USED WITHOUT THE WRITTEN CONSENT OF REGAL-BELOIT CORPORATION. -ALL RIGHTS RESERVED.

REGAL REGAL-BELOIT CORPORATION	
DESCRIPTION MODEL-SFHP-3.3 OUTLINE	
SIZE C	DWG NO JB2S021
SCALE NONE	SHEET 1