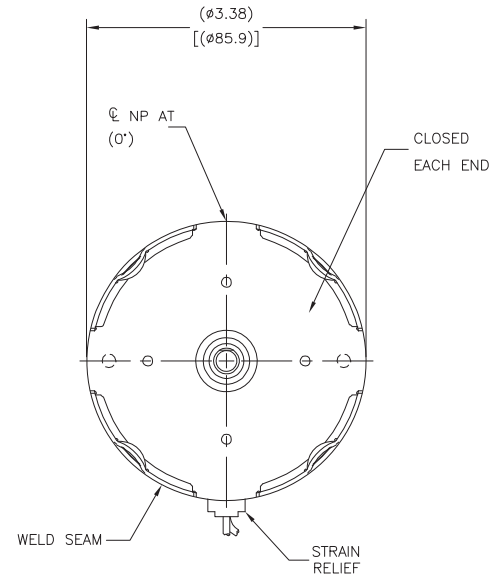
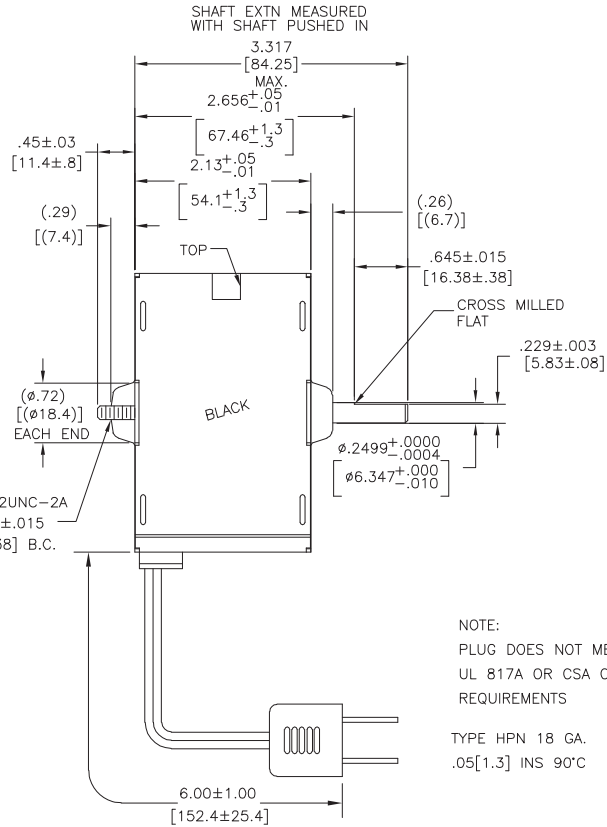


Uncontrolled Copy

REV	ECO	REV BY	DATE	APPD	DATE
H	0011160	TZ	06-17-2010	KG	06-17-2010

CUSTOMER IS SOLELY RESPONSIBLE FORMOTOR PERFORMANCE AND SUITABILITY IN APPLICATIONS FOR CUSTOMER'S USES.

END PLAY .04[1.0] MAX.



NOTE:
 PLUG DOES NOT MEET
 UL 817A OR CSA C22.2-42
 REQUIREMENTS
 TYPE HPN 18 GA.
 .05[1.3] INS 90°

NAMEPLATE DATA:

ACSmith Universal Electric® Motor Tipp City, OH
 THERMALLY PROTECTED

SER.DATE, PLT MOD JA2C657N"
 115V 60HZ .6A 1550RPM 1/75HP 1PH A.O.
 CLASS B INS STOCK NO. 637 ASSEMBLED IN MEXICO

SAMPLE S-1346E-1
 EXC. THERMAL FUSE

CWLE-CCWSE	BOM CHG [G]
------------	-------------

GEOMETRIC CHARACTERISTICS & SYMBOLS	
	FLATNESS
	STRAIGHTNESS
	ANGULARITY
	PERPENDICULARITY (SQUARENESS)
	PARALLELISM
	ROUNDNESS (CIRCULARITY)
	CYLINDRICITY
	PROFILE OF ANY SURFACE
	PROFILE OF ANY LINE
	RUNOUT
	TRUE POSITION
	CONCENTRICITY
	SYMMETRY

UNLESS OTHERWISE SPECIFIED
 DIM. TOLERANCES ARE AS FOLLOWS:
 INCH $\pm .1$ $\pm .02$ $\pm .005$ $\pm .0005$
 mm ± 0.5 ± 0.13 ± 0.013
 ANG. $\pm .50$ DEG
 REMOVE BURRS & BREAK SHARP EDGES:
 INCH .003-.015 mm 0.1-0.4
 CORNER FILLETS TO:
 INCH .020 mm 0.5
 MACHINE SURFACES:
 INCH 125 mm 3.2
 METRIC DIMS. SHOWN IN [BRACKETS]

DR BY: WJC	EDS DATE 02-22-2008
APPD:	FORMAT REV F
THIRD ANGLE PROJECTION	
CONFIDENTIAL: THIS DRAWING AND ITS INFORMATION ARE THE EXCLUSIVE AND CONFIDENTIAL PROPERTY OF A.O. SMITH CORP. AND ARE NOT TO BE DISCLOSED, DUPLICATED, DISTRIBUTED OR OTHERWISE USED WITHOUT THE WRITTEN CONSENT OF A.O. SMITH CORP. -ALL RIGHTS RESERVED. ASME Y14.5M 1994	

ACSmith ELECTRICAL PRODUCTS COMPANY <small>innovation has a name. A DIVISION OF A. O. SMITH CORPORATION</small>	
DESCRIPTION AFTERMARKET	
SIZE C	DWG NO JA2C657
SCALE NONE	SHEET 1

