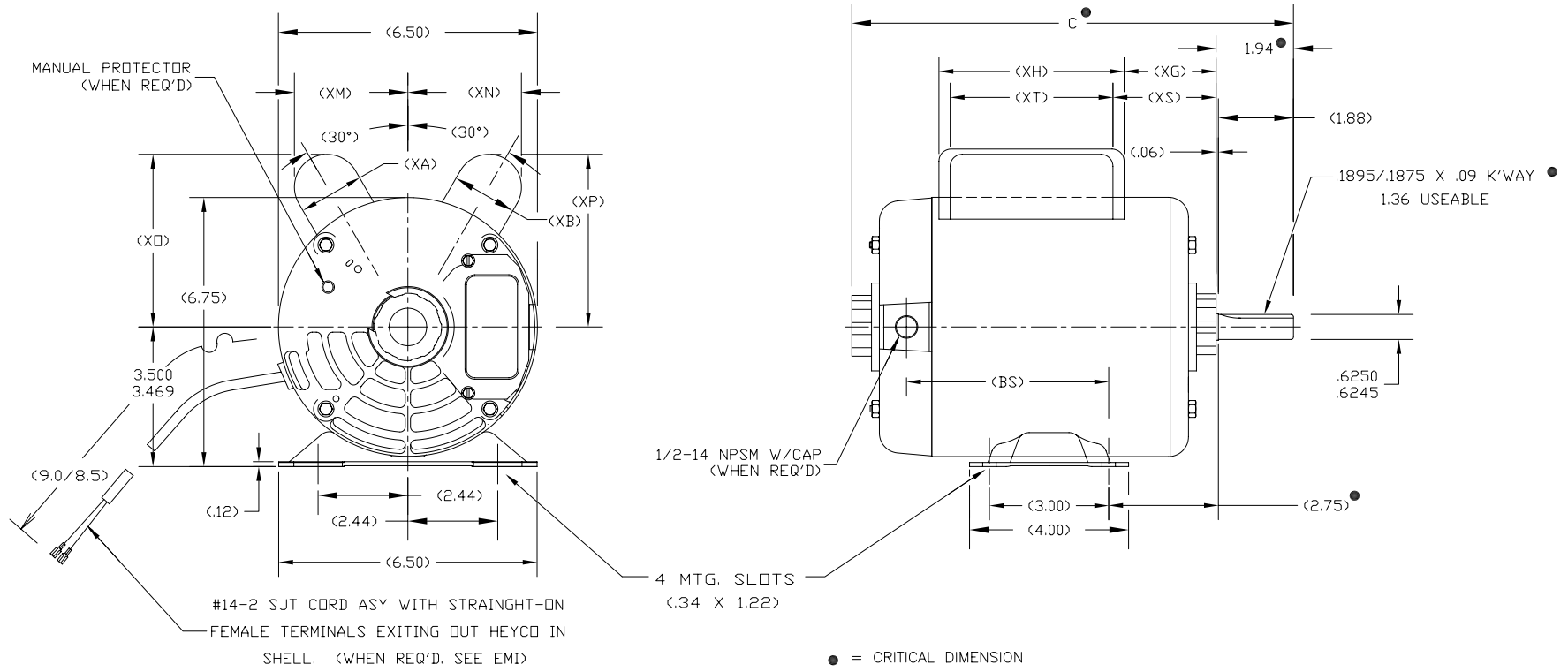


| GRP. | TYPE | FRAME | C     | (BS) | (XA) | (XB) | (XH) | (XG) | (XS) | (XT) | (XO) | (XP) | (XM) | (XN) |
|------|------|-------|-------|------|------|------|------|------|------|------|------|------|------|------|
| 01   | CP   | P56   | 12.59 | 6.52 | 2.01 | 2.27 | 5.06 | 3.36 | 3.13 | 5.30 | 4.64 | 4.92 | 3.10 | 3.32 |
| 02   | CP   | Y56   | 12.84 | 6.77 | 2.01 | 2.27 | 5.06 | 3.61 | 3.38 | 5.30 | 4.64 | 4.92 | 3.10 | 3.32 |

### NOTES

(1) ALL DIMENSIONS SHOWN IN PARENTHESIS ARE REFERENCE DIMENSIONS. ALL OTHER DIMENSIONS ARE TOLERANCED PER THE FOLLOWING CHART UNLESS OTHERWISE SPECIFIED.

|                     |            |
|---------------------|------------|
| "C" DIMENSION       | = +/- .055 |
| SHAFT EXTENSION     | = +/- .034 |
| LEAD LENGTHS        | = +/- 1.00 |
| EXTENDED THRU-BOLTS | = +/- .050 |



| REVISIONS | DATE    | BY  | DESCRIPTION  |
|-----------|---------|-----|--|
| 5         | 2/15/94 | TJD | CONVERTED TO AUTOCAD Ljh 1/12/96 PRIORITY REVISIONS ON REF LAYER |
| 6         | 2/18/99 | JKR | ADDED GRP -02 ECN_M07900   |

PROPERTY NOTICE: THIS DRAWING IS THE PROPERTY OF MAGNETEK CENTURY ELECTRIC. IT IS TO BE USED FOR THE PROJECT AND DATE SPECIFIED HEREIN ONLY. ANY REPRODUCTION, DISTRIBUTION, OR TRANSFER OF THIS DRAWING TO ANY OTHER PARTY WITHOUT THE EXPRESS WRITTEN AUTHORIZATION OF MAGNETEK CENTURY ELECTRIC IS STRICTLY PROHIBITED. NEITHER THIS DRAWING NOR THE INFORMATION CONTAINED HEREIN IS TO BE USED IN ANY MANNER THAT MAY BE INFRINGING ON ANY PATENT RIGHTS.

THIRD ANGLE PROJECTION

|                     |                     |                                       |           |                    |
|---------------------|---------------------|---------------------------------------|-----------|--------------------|
|                     |                     | 204 Red Road<br>McMinnville, TN 37110 |           |                    |
|                     |                     | TITLE<br>0056 DWG O-LINE BB OP/EN     |           |                    |
| DRN. TJD<br>2/15/94 | CKD. PAT<br>2/16/94 | CLASS NO.<br>1920                     | SIZE<br>C | DRG. NO.<br>179046 |
| APPD.               | SCALE<br>.5:1       | CONTROL CODE<br>51                    | SHT<br>1  |                    |

THIS IS AN AUTOCAD DRAWING.  
DO NOT CHANGE MANUALLY.