

4

3

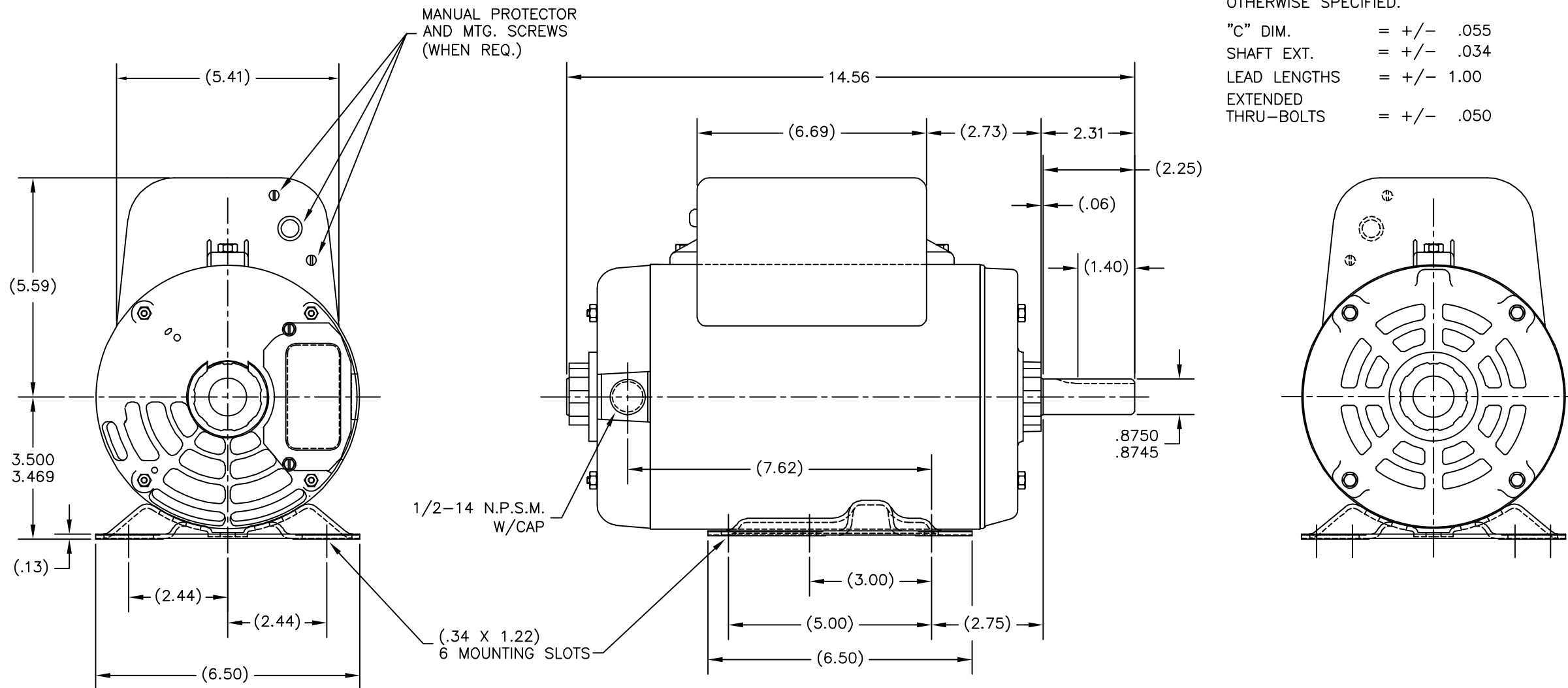
2

1

REV	ECO	REV BY	DATE	APPD	DATE
D	0005836	D. MUÑOZ	04-16-2009	C.CONTRERAS	04-16-2009

ALL DIMENSIONS SHOWN IN PARENTHESIS ARE REFERENCE DIMENSIONS. ALL OTHER DIMENSIONS ARE TOLERANCED PER THE FOLLOWING CHART UNLESS OTHERWISE SPECIFIED.

"C" DIM.	= +/- .055
SHAFT EXT.	= +/- .034
LEAD LENGTHS	= +/- 1.00
EXTENDED THRU-BOLTS	= +/- .050



NOTE:
TERMINAL BOX TO BE LOCATED AT 12:00 WITHIN +/- 1 1/2"

GEOMETRIC CHARACTERISTICS & SYMBOLS

- ▭ FLATNESS
- STRAIGHTNESS
- ∠ ANGULARITY
- ⊥ PERPENDICULARITY (SQUARENESS)
- ∥ PARALLELISM
- ROUNDNESS (CIRCULARITY)
- ⊘ CYLINDRICITY
- △ PROFILE OF ANY SURFACE
- ∩ PROFILE OF ANY LINE
- ↗ RUNOUT
- ⊕ TRUE POSITION
- ◎ CONCENTRICITY
- ≡ SYMMETRY

UNLESS OTHERWISE SPECIFIED DIM. TOLERANCES ARE AS FOLLOWS:

INCH	±.1	±.02	±.005	±.0005
mm	±0.5	±0.13	±0.013	

ANG. ±.50 DEG
REMOVE BURRS & BREAK SHARP EDGES:
INCH .003-.015 mm 0.1-0.4
CORNER FILLETS TO:
INCH .020 mm 0.5
MACHINE SURFACES:
INCH 125 mm 3.2
METRIC DIMS. SHOWN IN [BRACKETS]

DR BY:	JAH
APPD:	
THIRD ANGLE PROJECTION	EDS DATE EDS DATE FORMAT REV F
CONFIDENTIAL: THIS DRAWING AND ITS INFORMATION ARE THE EXCLUSIVE AND CONFIDENTIAL PROPERTY OF A.O. SMITH CORP. AND ARE NOT TO BE DISCLOSED, DUPLICATED, DISTRIBUTED OR OTHERWISE USED WITHOUT THE WRITTEN CONSENT OF A.O. SMITH CORP. -ALL RIGHTS RESERVED. ASME Y14.5M 1994	

ACSmith Innovation has a name.	ELECTRICAL PRODUCTS COMPANY A DIVISION OF A. O. SMITH CORPORATION
DESCRIPTION OUTLINE RIGID BASE-LINE BB OP/EN	
SIZE C	DWG NO 179714
SCALE NONE	SHEET 1

4

3

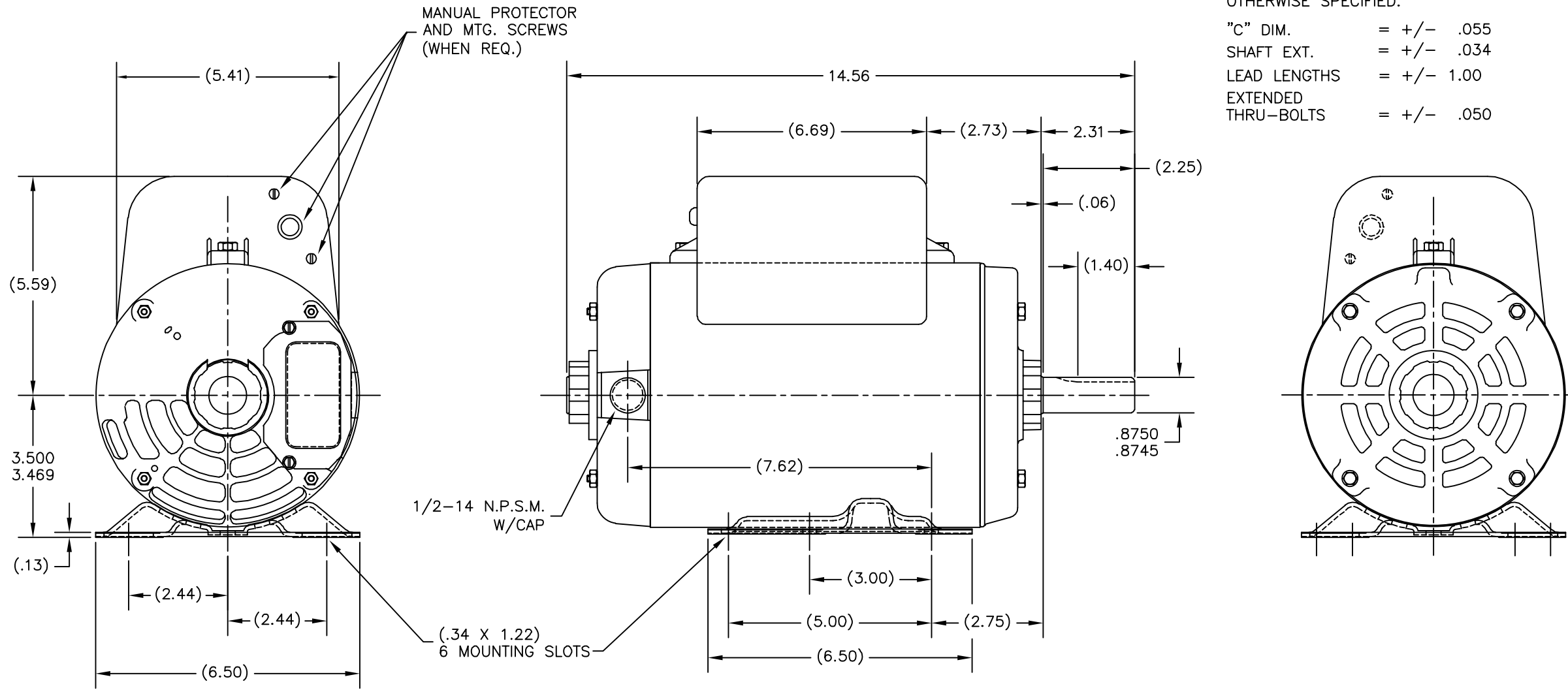
2

1

REVISION:	ECO	REVISADO POR:	FECHA:	APROBADO POR:	FECHA:
D	0005836	D. MUÑOZ	04-16-2009	C.CONTRERAS	04-16-2009

ALL DIMENSIONS SHOWN IN PARENTHESIS ARE REFERENCE DIMENSIONS. ALL OTHER DIMENSIONS ARE TOLERANCED PER THE FOLLOWING CHART UNLESS OTHERWISE SPECIFIED.

"C" DIM.	= +/- .055
SHAFT EXT.	= +/- .034
LEAD LENGTHS	= +/- 1.00
EXTENDED THRU-BOLTS	= +/- .050



NOTE:
TERMINAL BOX TO BE LOCATED AT 12:00 WITHIN +/- 1 1/2"

CARACTERISTICAS DE GEOMETRIA Y SIMBOLOS

- ▧ PLANICIDAD
- RECTITUD
- ∠ ANGULARIDAD
- ⊥ PERPENDICULARIDAD (A ESCUADRA)
- // PARALELISMO
- REDONDEZ (CIRCULARIDAD)
- ∅ CILINDRICIDAD
- △ PERFIL DE CUALQUIER SUPERFICIE
- ∧ PERFIL DE CUALQUIER LINEA
- ∧ VARIACION
- ⊕ POSICION REAL
- ◎ CONCENTRICIDAD
- = SIMETRIA

A MENOS QUE SE ESPECIFIQUE DE OTRA MANERA, LAS TOLERANCIAS DE LAS DIMS. SON LAS SIGUIENTES:

PULG ±.1 ±.02 ±.005 ±.0005
mm ±0.5 ±0.13 ±0.013

ANG. ±50 GRADOS

ELIMINAR REBABAS Y ORILLAS FILOSAS DEL BORDE.

PULG .003-.015 mm 0.1-0.4
FILETEAR ESQUINA: PULG .020 mm 0.5
MAQUINAR SUPERFICIES

PULG 125 mm .32

DIMS METRICAS MOSTRADAS [PARENTESIS]

DIBUJADO POR: JAH	FECHA EDS: EDS DATE
APROBADO POR:	REV. FORMATO: F
TERCER ANGULO DE PROYECCION	CONFIDENCIAL: ESTE DIBUJO Y SU INFORMACION SON PROPIEDAD DE USO EXCLUSIVO Y CONFIDENCIAL DE A.O.SMITH CORP. Y NO DEBERAN SER REVELADOS, DUPLICADOS, DISTRIBUIDOS O USARSE DE OTRA MANERA SIN EL CONSENTIMIENTO ESCRITO DE A.O. SMITH CORP. -TODOS LOS DERECHOS RESERVADOS.ASME Y14.5M 1994

ACSmith **ELECTRICAL PRODUCTS COMPANY**
Innovation has a name. A DIVISION OF A. O. SMITH CORPORATION

DESCRIPCION: **OUTLINE RIGID BASE-LINE BB OP/EN**

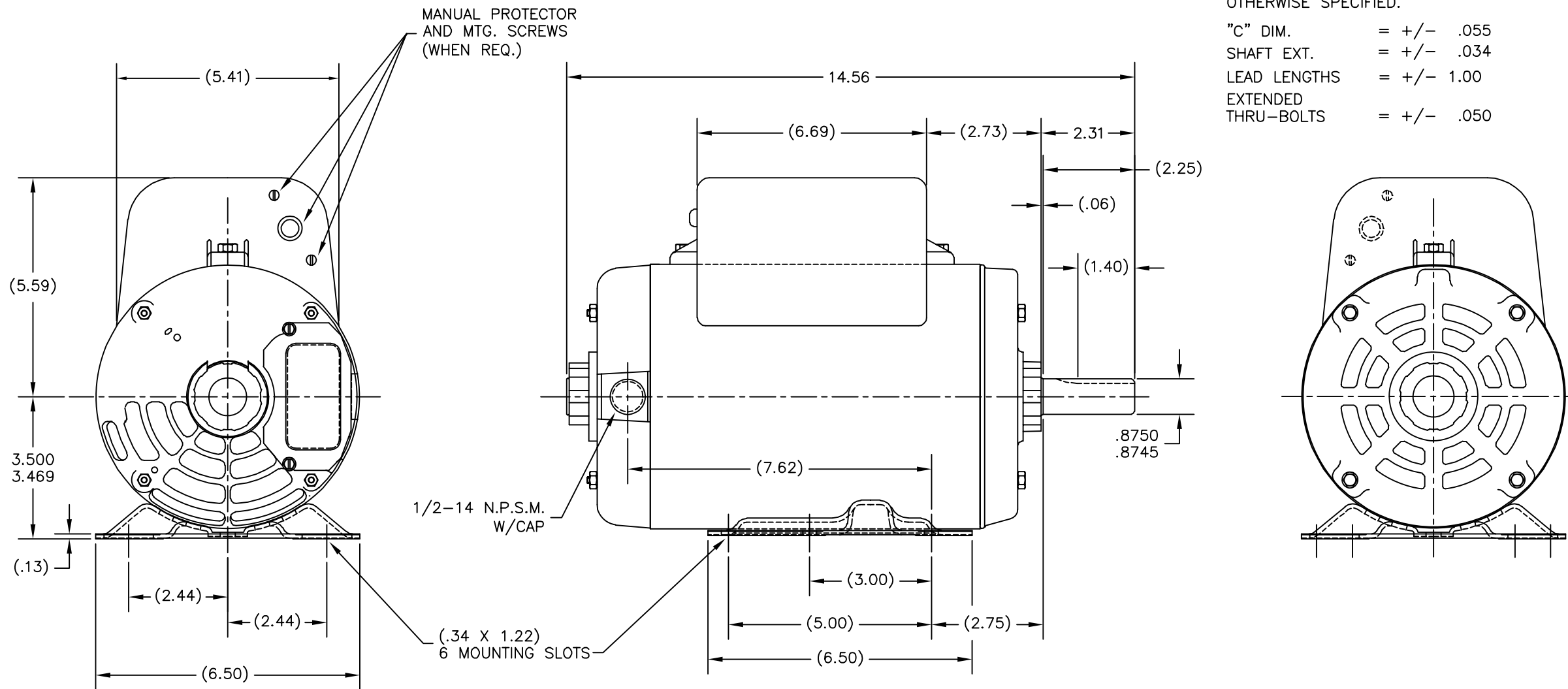
TAMAÑO: C NUMERO DE DIBUJO: 179714

ESCALA: NONE HOJA: 1

版本	ECO	编制	日期	批准	日期
D	0005836	D. MUÑOZ	04-16-2009	C.CONTRERAS	04-16-2009

ALL DIMENSIONS SHOWN IN PARENTHESIS ARE REFERENCE DIMENSIONS. ALL OTHER DIMENSIONS ARE TOLERANCED PER THE FOLLOWING CHART UNLESS OTHERWISE SPECIFIED.

"C" DIM.	= +/- .055
SHAFT EXT.	= +/- .034
LEAD LENGTHS	= +/- 1.00
EXTENDED THRU-BOLTS	= +/- .050



NOTE:
TERMINAL BOX TO BE LOCATED AT 12:00 WITHIN +/- 1 1/2"

形位公差
□ 平面度
— 直线度
∠ 倾斜度
⊥ 垂直度
// 平行度
○ 圆度
⊘ 圆柱度
△ 面轮廓度
∩ 线轮廓度
↗ 圆跳动
⊕ 位置度
◎ 同轴度
≡ 对称度

除另有注明 尺寸公差如下:
英寸 X XX XXX XXXX
毫米 ±0.1 ±0.02 ±0.005 ±0.0005
毫米 ±0.5 ±0.13 ±0.013
角度 ±.50 度
清理毛刺和尖棱
英寸 .003-.015 毫米 0.1-0.4
内圆角
英寸 .020 毫米 0.5
表面粗糙度
英制 125 米制 3.2
米制尺寸显示在 []

绘图:	JAH
批准:	
第三角投影	
图纸格式发布日期 EDS DATE	
图纸格式版本 F	
机密: 本图纸及相关信息所有权归A. O. SMITH公司所有。未经A. O. SMITH公司书面授权, 不得泄露、复制、传播或作其他用途。—版权所有	
ASME Y14.5M 1994	

ELECTRICAL PRODUCTS COMPANY <small>A DIVISION OF A. O. SMITH CORPORATION</small>	
名称	OUTLINE RIGID BASE-LINE BB OP/EN
图幅	C
图号	179714
比例	NONE
页号	1