

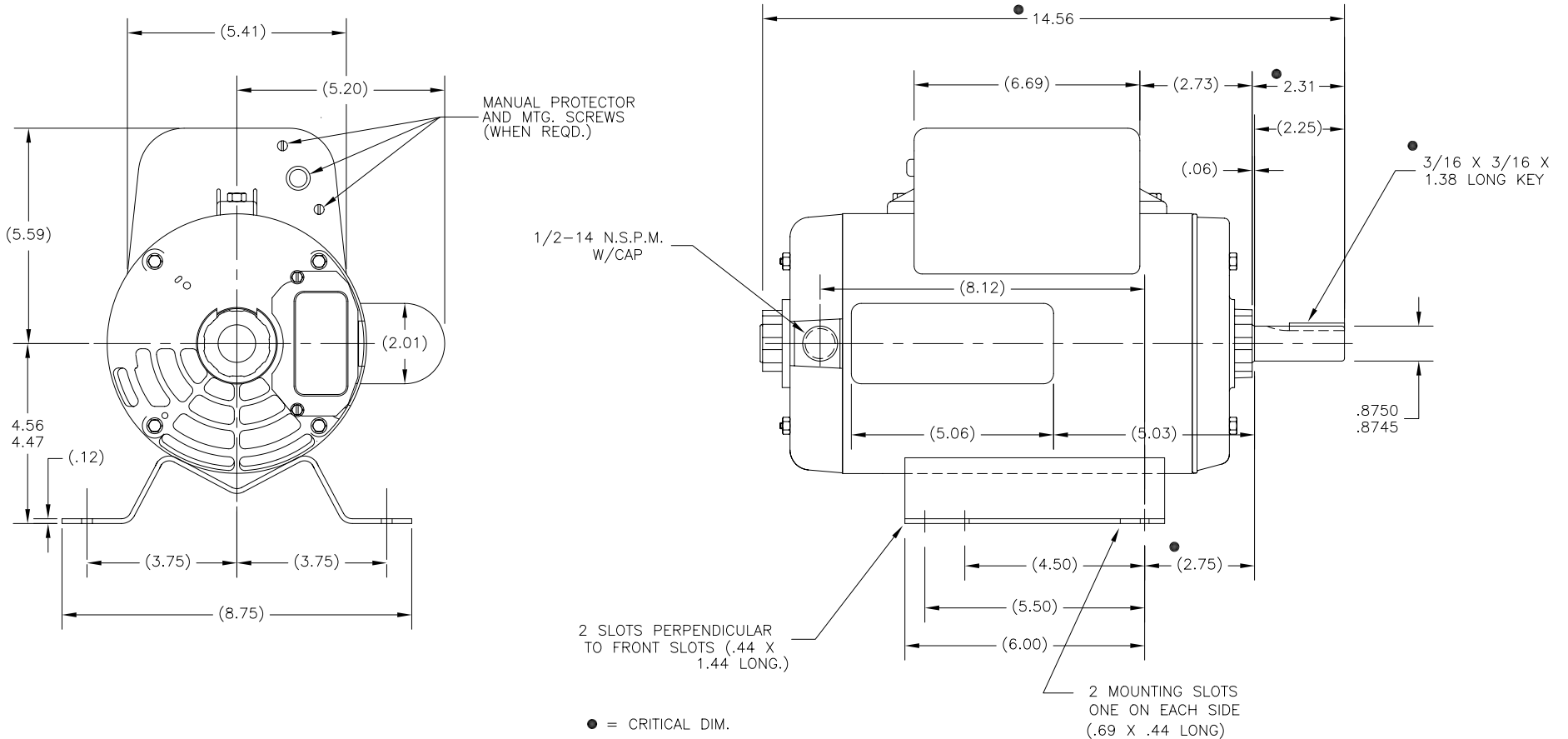
REV	DATE	ECN	DESCRIPTION	REV BY	APPD
4	1999/11/05	00M15176	CHG'D BASE HEIGHT FROM 4.53/4.47	kimdav	X

NOTE:

TERMINAL BOX TO BE LOCATED AT 12:00 WITHIN +/- 1 1/2"

ALL DIMENSIONS SHOWN IN PARENTHESIS ARE REFERENCE DIMENSIONS. ALL OTHER DIMENSIONS ARE TOLERANCED PER THE FOLLOWING CHART UNLESS OTHERWISE SPECIFIED.

"C" DIM.	= +/- .055
SHAFT EXT.	= +/- .034
LEAD LENGTHS	= +/- 1.00
EXTENDED THRU-BOLTS	= +/- .050
ANGULAR DIMS.	= +/- 2 DEGS.



● = CRITICAL DIM.

UNLESS OTHERWISE SPECIFIED DIM ARE IN INCHES X = ± .1 .XX = ± .02 .XXX = ± .005 .XXXX = ± .0005 ANG = ± .5	DR BY: barpea	1993/11/10	1181 CORPORATE LAKE DRIVE ST. LOUIS, MISSOURI 63132
	CK BY: patnea	1993/11/15	
	APPD:		
	ISS:		
THE INFORMATION HEREON IS THE PROPERTY OF MAGNETEK INC. AND/OR ITS SUBSIDIARIES. WITHOUT WRITTEN PERMISSION, ANY COPYING, TRANSMITTAL TO OTHERS, AND ANY USE EXCEPT THAT FOR WHICH IT IS LOANED, IS PROHIBITED.	THIRD ANGLE PROJECTION	TITLE 0056 0-LINE BB OP/EN RIGID BASE (56/180T CONV. BASE)	SIZE C DWG NO 183807
AUTOCAD FORM 3	SCALE 1=1	SHEET 1 OF 1	REV 4