

4

3

2

1

.5002 RING GAGE MUST GO OVER SHAFT
.005 TO .030 END PLAY

REV	ECO	REV BY	DATE	APPD	DATE
C	0025402	O. CARVAJAL	04-13-2012	D. BALDERRAMA	04-13-2012

D

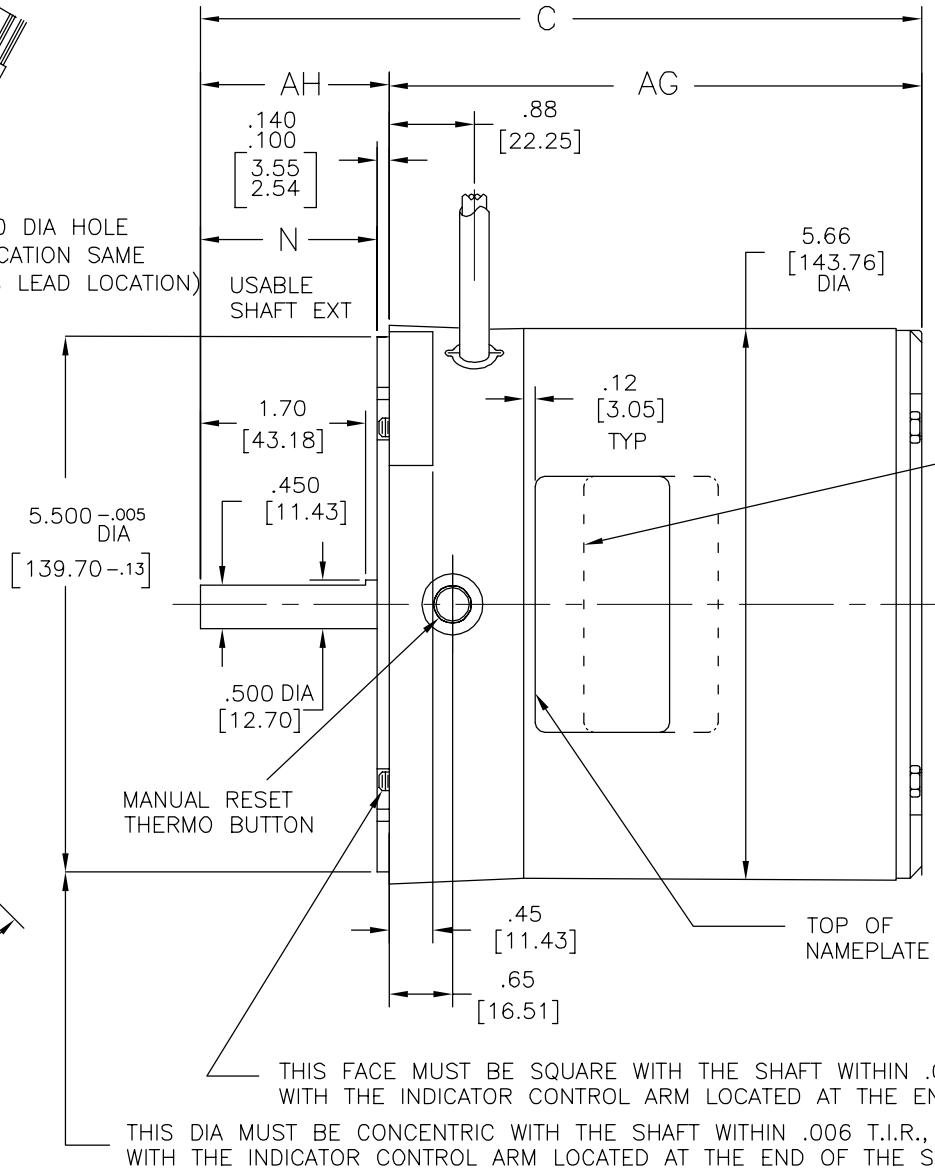
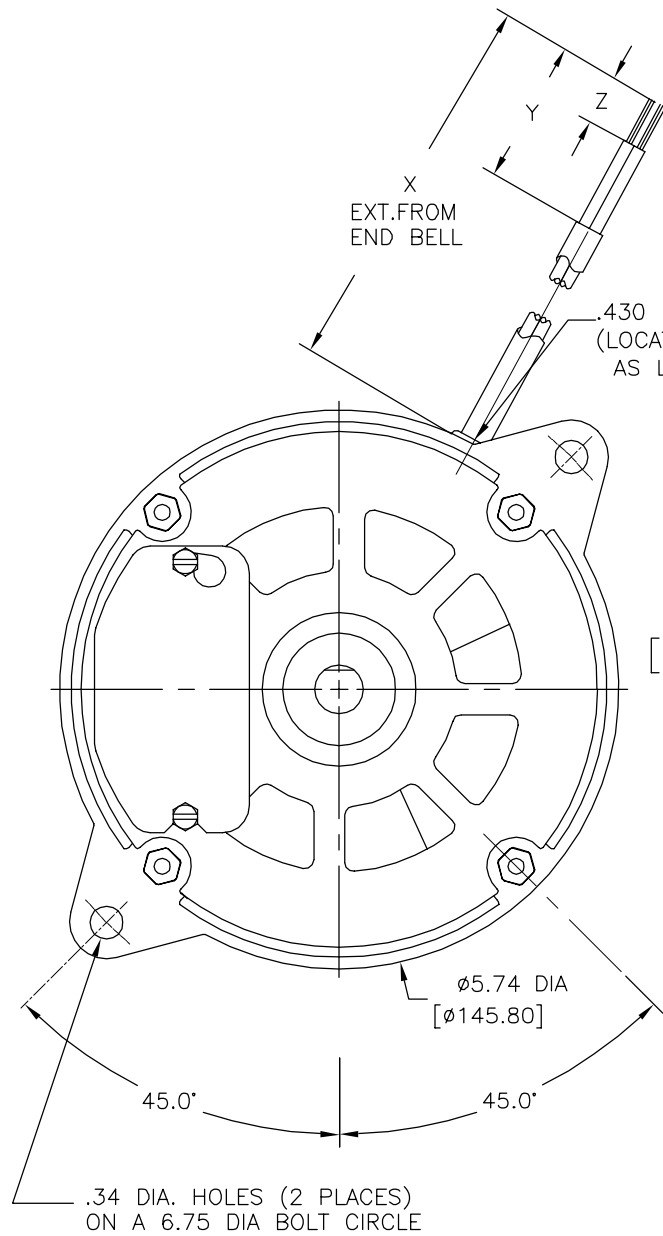
D

C

C

B

B



TOP OF WARNING STICKER

FRAME WELD

TOP OF NAMEPLATE

Ø7.52 DIA [Ø191.01]

A

A

CUSTOMER NUMBER	MODEL NUMBER	GRAINGER MODEL NUMBER	FRAME LEGNTH (REF)	C	N	AG	AH	X	Y	Z
	EL2002V1	4MA16	3.812	7.41	1.82	5.47	1.94	20.00	2.50	.75
4779EM	S48E98A01		3.812	7.41	1.82	5.47	1.94	20.00	2.50	.75

GEOMETRIC CHARACTERISTICS & SYMBOLS
 ▭ FLATNESS
 - STRAIGHTNESS
 < ANGLARITY
 ⊥ PERPENDICULARITY (SQUARENESS)
 ∥ PARALLELISM
 ○ ROUNDNESS (CIRCULARITY)
 ⌀ CYLINDRICITY
 △ PROFILE OF ANY SURFACE
 ∩ PROFILE OF ANY LINE
 ↗ RUNOUT
 ⊕ TRUE POSITION
 ⊙ CONCENTRICITY
 = SYMMETRY
 ASME Y14.5M 1994

UNLESS OTHERWISE SPECIFIED DIM. TOLERANCES ARE AS FOLLOWS:
 INCH X XX XXX XXXX
 ±.1 ±.02 ±.005 ±.0005
 mm ±0.5 ±0.13 ±0.013
 ANG. ±.50 DEG
 REMOVE BURRS & BREAK SHARP EDGES:
 INCH .003-.015 mm 0.1-0.4
 CORNER FILLETS TO:
 INCH .020 mm 0.5
 MACHINE SURFACES:
 INCH 125 mm 3.2
 METRIC DIMS. SHOWN IN [BRACKETS]

DR BY: DEW 10-23-1998
 APPD:
 THIRD ANGLE PROJECTION
 EDS DATE 11-11-2011
 FORMAT REV G
 CONFIDENTIAL: THIS DRAWING AND ITS INFORMATION ARE THE EXCLUSIVE AND CONFIDENTIAL PROPERTY OF REGAL-BELOIT CORPORATION AND ARE NOT TO BE DISCLOSED, DUPLICATED, DISTRIBUTED OR OTHERWISE USED WITHOUT THE WRITTEN CONSENT OF REGAL-BELOIT CORPORATION. -ALL RIGHTS RESERVED.



DESCRIPTION		OUTLINE	
SIZE C	DWG NO	11682-009	
SCALE NONE			SHEET 1

4

3

2

1

4

3

2

1

.5002 RING GAGE MUST GO OVER SHAFT
.005 TO .030 END PLAY

REVISION:	ECO	REVISADO POR:	FECHA:	APROBADO POR:	FECHA:
C	0025402	O. CARVAJAL	04-13-2012	D. BALDERRAMA	04-13-2012

D

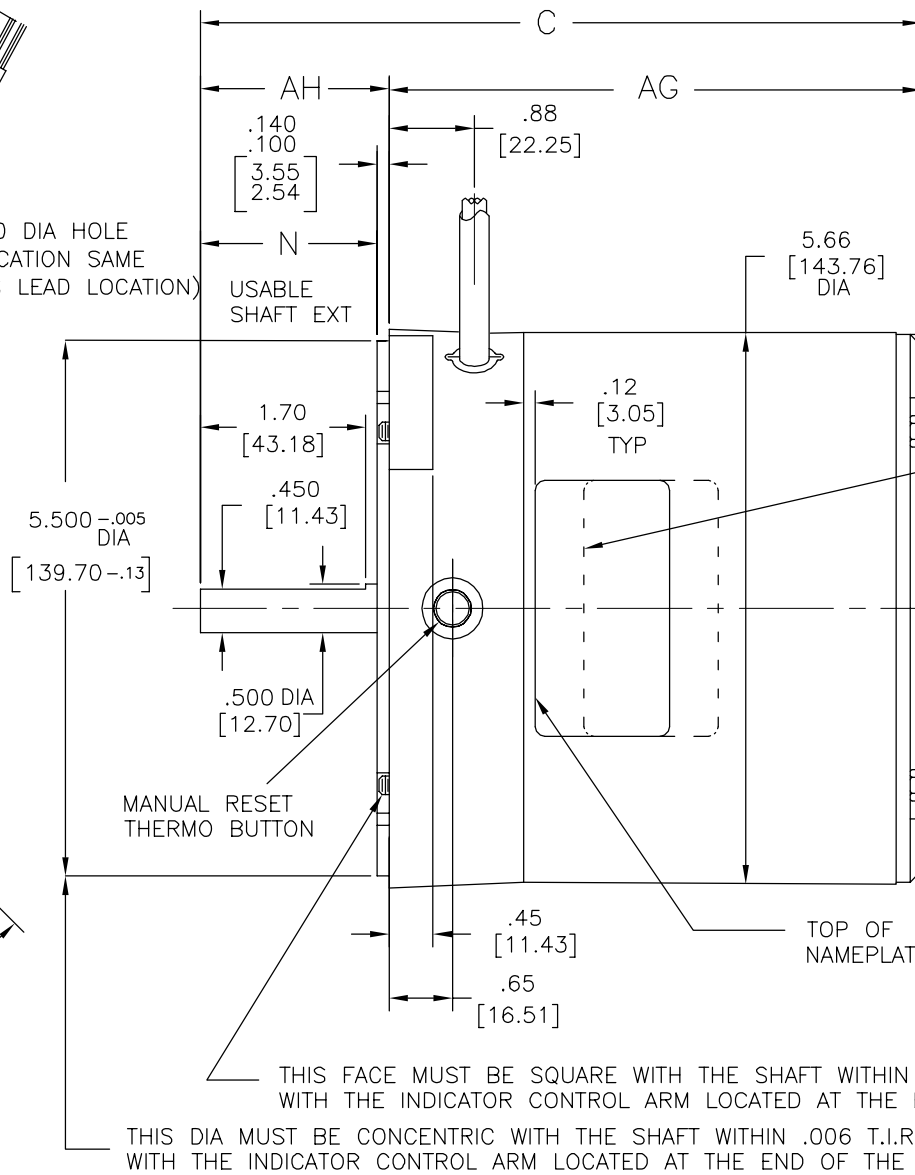
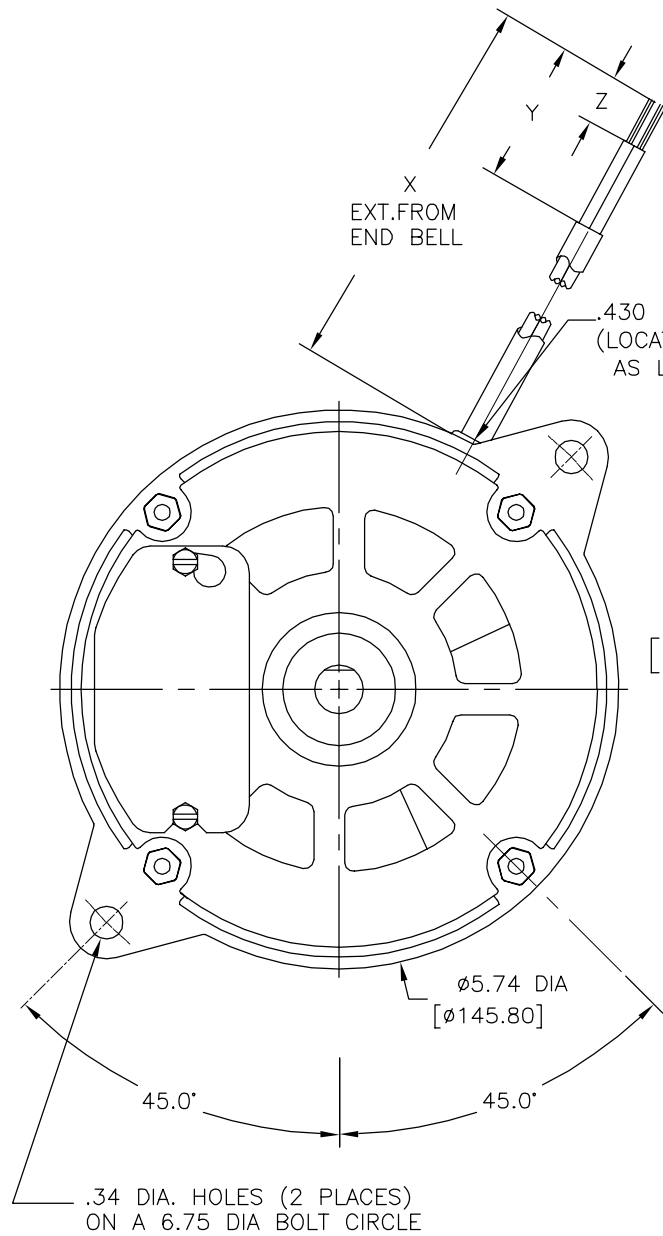
D

C

C

B

B



TOP OF WARNING STICKER

FRAME WELD

Ø7.52 DIA [Ø191.01]

THIS FACE MUST BE SQUARE WITH THE SHAFT WITHIN .006 T.I.R., WITH THE INDICATOR CONTROL ARM LOCATED AT THE END OF THE SHAFT.
THIS DIA MUST BE CONCENTRIC WITH THE SHAFT WITHIN .006 T.I.R., WITH THE INDICATOR CONTROL ARM LOCATED AT THE END OF THE SHAFT.

CUSTOMER NUMBER	MODEL NUMBER	GRAINGER MODEL NUMBER	FRAME LEGNTH (REF)	C	N	AG	AH	X	Y	Z
	EL2002V1	4MA16	3.812	7.41	1.82	5.47	1.94	20.00	2.50	.75
4779EM	S48E98A01		3.812	7.41	1.82	5.47	1.94	20.00	2.50	.75

A

A

CARACTERISTICAS DE GEOMETRIA Y SIMBOLOS
 ▽ PLANICIDAD
 - RECTITUD
 < ANGULARIDAD
 ⊥ PERPENDICULARIDAD (A ESCUADRA)
 // PARALELISMO
 ○ REDONDEZ (CIRCULARIDAD)
 ∅ CILINDRICIDAD
 △ PERFIL DE CUALQUIER SUPERFICIE
 ∩ PERFIL DE CUALQUIER LINEA
 ↗ VARIACION
 ⊕ POSICION REAL
 ⊙ CONCENTRICIDAD
 = SIMETRIA
 ASME Y14.5M 1994

A MENOS QUE SE ESPECIFIQUE DE OTRA MANERA, LAS TOLERANCIAS DE LAS DIMS; SON LAS SIGUIENTES:
 PULG ±.1 ±.02 ±.005 ±.0005
 mm ±0.5 ±0.13 ±0.013
 ANG. ± 50 GRADOS
 ELIMINAR REBABAS Y ORILLAS FILOSAS DEL BORDE.
 PULG .003-.015 mm 0.1-0.4
 FILETEAR ESQUINA: PULG .020 mm 0.5
 MAQUINAR SUPERFICIES
 PULG 125 mm 3.2
 DIMS METRICAS MOSTRADAS [PARENTESIS]

DIBUJADO POR: DEW 10-23-1998
 APROBADO POR:
 TERCER ANGULO DE PROYECCION
 CONFIDENCIAL: ESTE DIBUJO Y SU INFORMACION SON PROPIEDAD DE USO EXCLUSIVO Y CONFIDENCIAL DE REGAL-BELOIT CORPORATION. Y NO DEBERAN SER REVELADOS, DUPLICADOS, DISTRIBUIDOS O USARSE DE OTRA MANERA SIN EL CONSENTIMIENTO ESCRITO DE REGAL-BELOIT CORPORATION. -TODOS LOS DERECHOS RESERVADOS.

REGAL-BELOIT CORPORATION

DESCRIPCION: **OUTLINE**

TAMAÑO: C NUMERO DE DIBUJO: 11682-009

ESCALA: NONE HOJA: 1

4

3

2

1

4

3

2

1

.5002 RING GAGE MUST GO OVER SHAFT
.005 TO .030 END PLAY

版本	ECO	编制	日期	批准	日期
C	0025402	O. CARVAJAL	04-13-2012	D. BALDERRAMA	04-13-2012

D

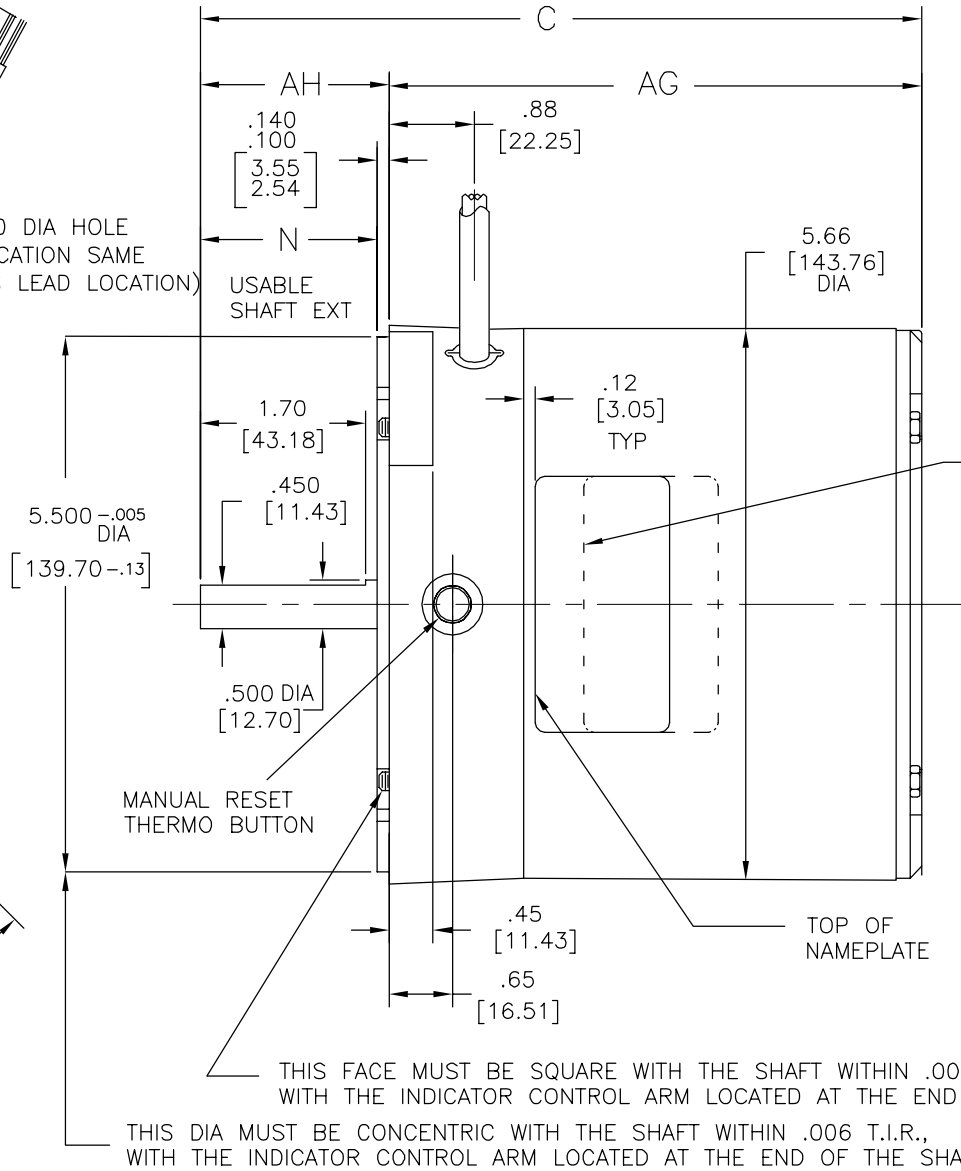
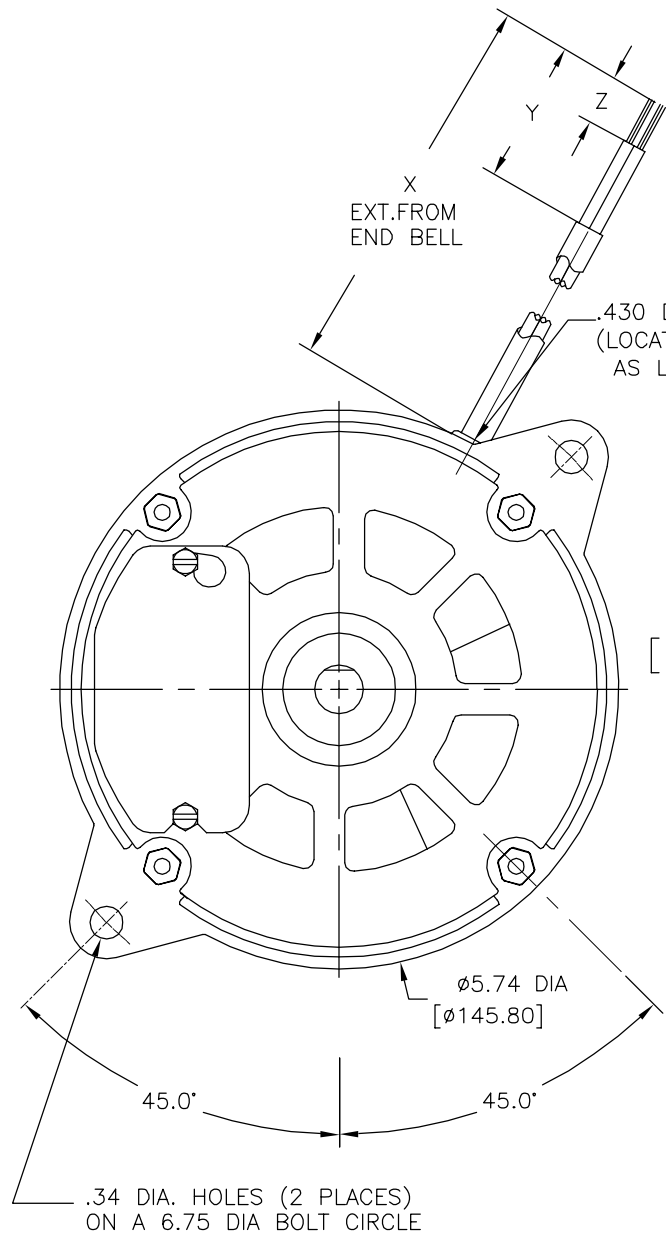
D

C

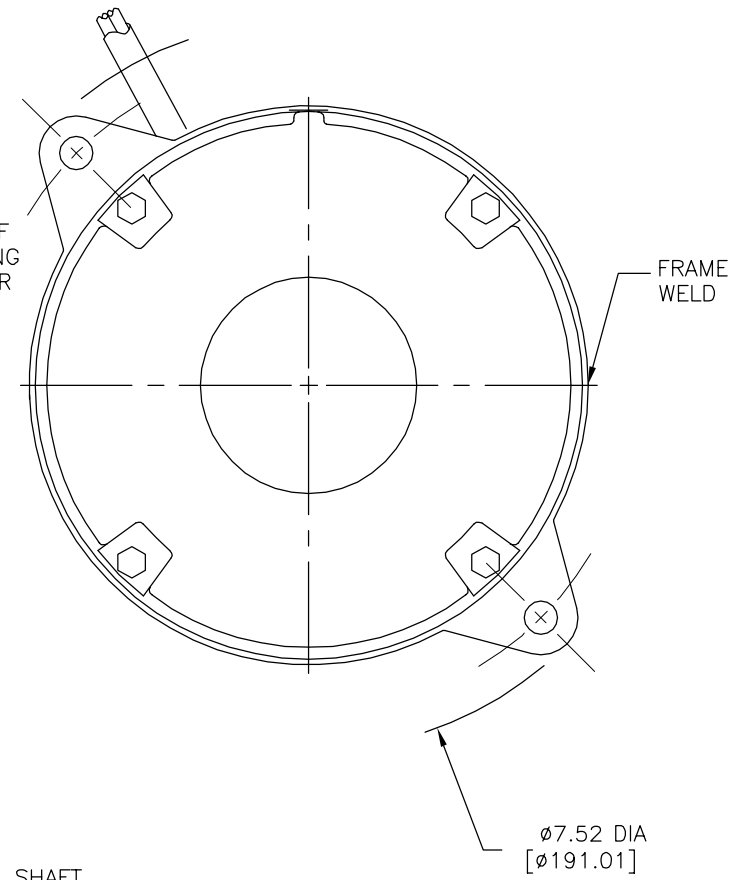
C

B

B



TOP OF WARNING STICKER



CUSTOMER NUMBER	MODEL NUMBER	GRAINGER MODEL NUMBER	FRAME LEGNTH (REF)	C	N	AG	AH	X	Y	Z
	EL2002V1	4MA16	3.812	7.41	1.82	5.47	1.94	20.00	2.50	.75
4779EM	S48E98A01		3.812	7.41	1.82	5.47	1.94	20.00	2.50	.75

- 形位公差
- 平面度
- 直线度
- ∠ 倾斜度
- ⊥ 垂直度
- ∥ 平行度
- 圆度
- ⊘ 圆柱度
- △ 面轮廓度
- ∩ 线轮廓度
- ↗ 圆跳动
- ⊕ 位置度
- ⊙ 同轴度
- ≡ 对称度

ASME Y14.5M 1994

除另有注明
尺寸公差如下:
英寸 X XX XXX XXXX
±.1 ±.02 ±.005 ±.0005
毫米 ±0.5 ±0.13 ±0.013
角度 ±.50 度
清理毛刺和尖棱
英寸 .003-.015 毫米 0.1-0.4
内圆角
英寸 .020 毫米 0.5
表面粗糙度
英制 125 米制 3.2
米制尺寸显示在 []

绘图: DEW 10-23-1998

批准:

第三角投影

图纸格式发布日期 11-11-2011

图纸格式版本 G

机密: 本图纸及相关信息所有权归REGAL-BELOIT CORPORATION. 未经REGAL-BELOIT CORPORATION书面授权, 不得泄露、复制、传播或作其他用途。—版权所有



名称	OUTLINE	
图幅	C	图号 11682-009
比例	NONE	页号 1

4

3

2

1

A

A