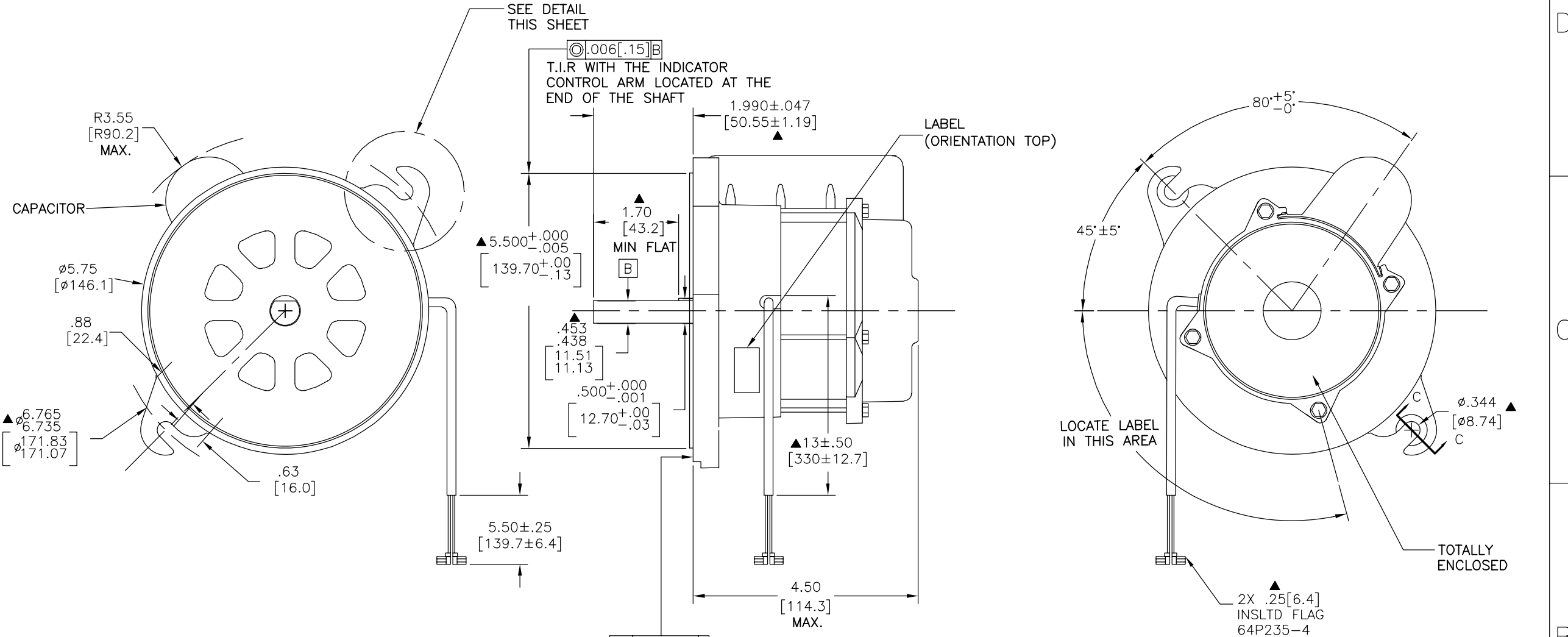
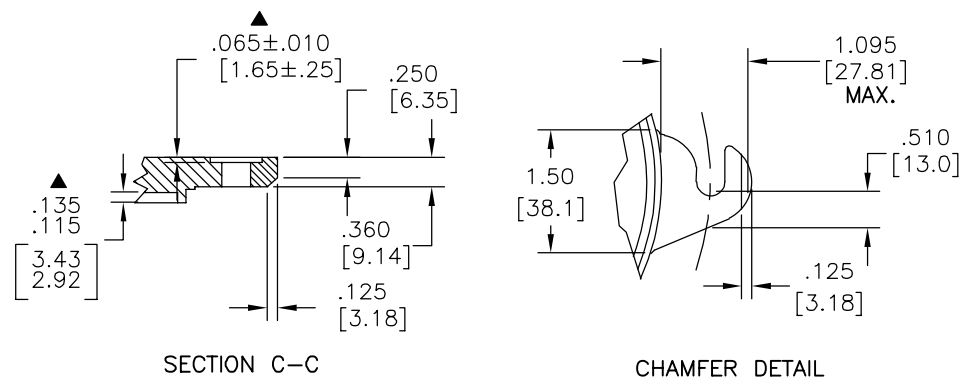


| | | | | | |
|-----|---------|-----------|------------|----------|------------|
| REV | ECO | REV BY | DATE | APPD | DATE |
| C | 0025410 | E.SINECIO | 04-17-2012 | R.RASCON | 04-17-2012 |

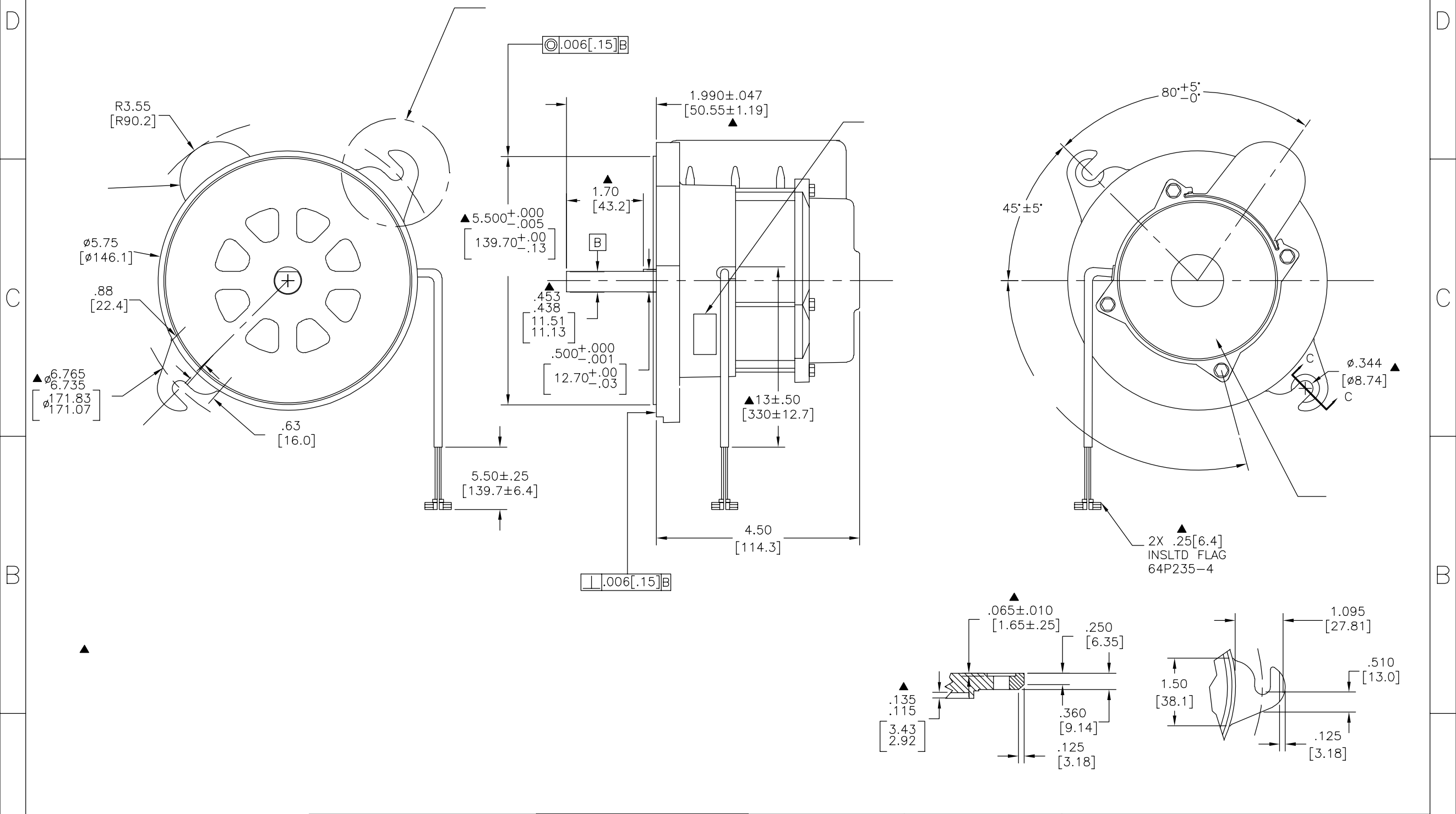


- NOTES:
1. NEMA 48M FRAME MOUNTING FLANGE.
 2. ▲ KEY CHARACTERISTICS
 3. ENDSHIELDS ARE UNPAINTED. BLAST CLEANED ALUMINUM MOTOR SURFACES AND MATERIALS ARE TO BE CORROSION AND OIL RESISTANT
 4. ROTATION CCW VIEWED FROM SHAFT END
 5. THERMAL PROTECTION: AUTOMATIC RESET PER UL1004
 6. CORDSET TO BE : WIRE 18 GA. STRANDED, SOOW INSULATION 90°C MIN, INSULATION TO BE ORANGE (L1) & WHITE (N) MAXIMUM JACKET DIAMETER OF .375 [9.53]



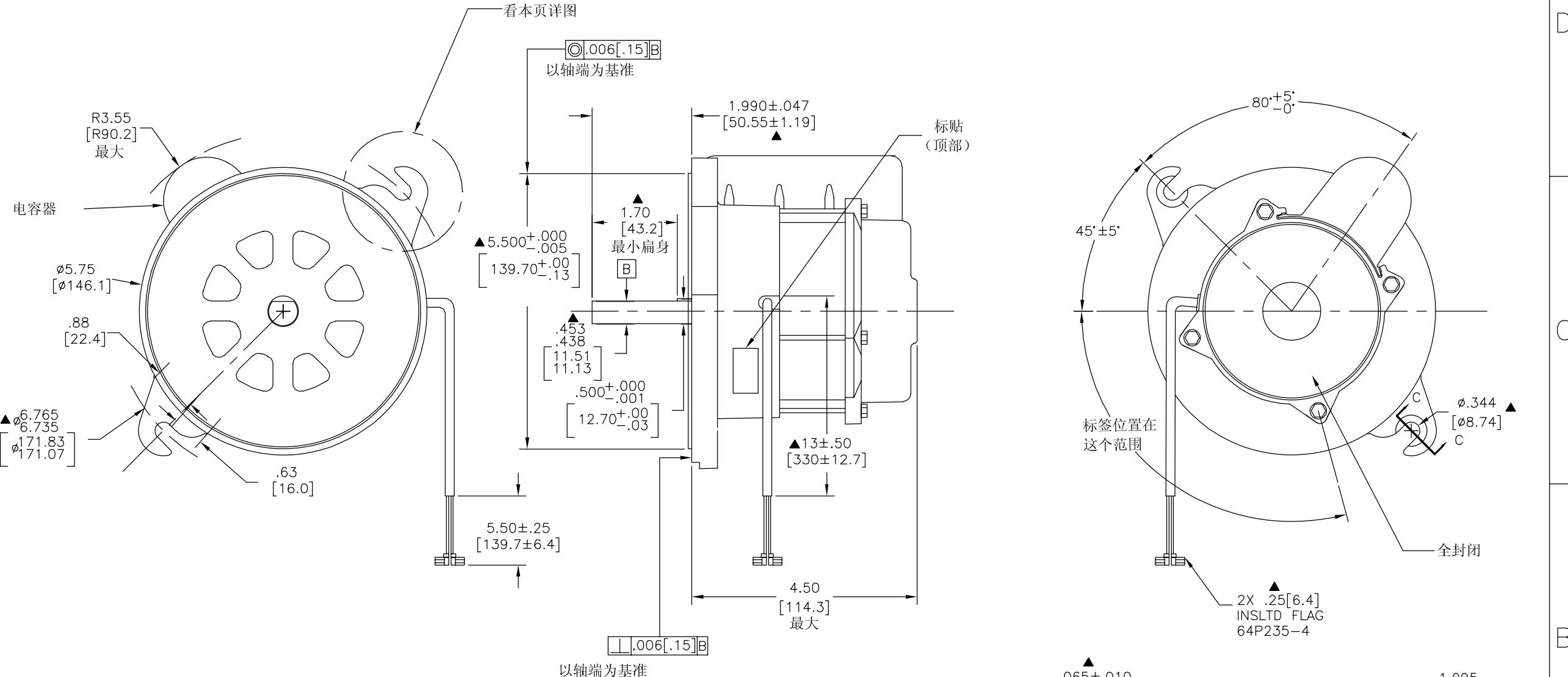
| | | | | | |
|---|--|--|----|------------|---|
| GEOMETRIC CHARACTERISTICS & SYMBOLS ▭ FLATNESS — STRAIGHTNESS ∠ ANGULARITY ⊥ PERPENDICULARITY (SQUARENESS) ∥ PARALLELISM ○ ROUNDNESS (CIRCULARITY) ∅ CYLINDRICITY △ PROFILE OF ANY SURFACE ∩ PROFILE OF ANY LINE ↗ RUNOUT ⊕ TRUE POSITION ⊙ CONCENTRICITY = SYMMETRY | UNLESS OTHERWISE SPECIFIED DIM. TOLERANCES ARE AS FOLLOWS: INCH X XX XXX XXXX ±.1 ±.02 ±.005 ±.0005 mm ±0.5 ±0.13 ±0.013 ANG. ±.50 DEG REMOVE BURRS & BREAK SHARP EDGES: INCH .003-.015 mm 0.1-0.4 CORNER FILLETS TO: INCH .020 mm 0.5 MACHINE SURFACES: INCH 125 mm 3.2 METRIC DIMS. SHOWN IN [BRACKETS] | DR BY: | HZ | 01-12-2010 | REGAL-BELOIT CORPORATION DESCRIPTION MODEL-PFHP-35FR OUTLINE |
| | | APPD: | SH | 01-12-2010 | |
| | | THIRD ANGLE PROJECTION | | | SIZE C DWG NO OBK6002V1 |
| | | CONFIDENTIAL: THIS DRAWING AND ITS INFORMATION ARE THE EXCLUSIVE AND CONFIDENTIAL PROPERTY OF REGAL-BELOIT CORPORATION AND ARE NOT TO BE DISCLOSED, DUPLICATED, DISTRIBUTED OR OTHERWISE USED WITHOUT THE WRITTEN CONSENT OF REGAL-BELOIT CORPORATION. -ALL RIGHTS RESERVED. | | | SCALE NONE SHEET 1 |

| | | | | | |
|-----------|---------|---------------|------------|---------------|------------|
| REVISION: | ECO | REVISADO POR: | FECHA: | APROBADO POR: | FECHA: |
| C | 0025410 | E.SINECIO | 04-17-2012 | R.RASCON | 04-17-2012 |

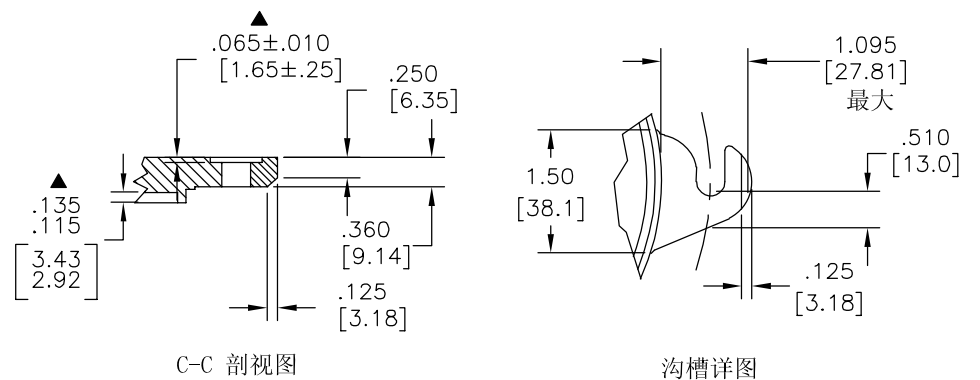


| | | | | | | | | | | | | | | | | | | | | | | | | | | | | | | | | | | | | | | | |
|---|---|------------|------|-------|--------------|------|-----|------|--------------|----|------|-------|--------|------|------|--------|--|---|--|--|--|--|----------------|------------|--|------------------------------------|--|--|--|----------------------|--|--|--|--|----------|--------|--|---|---|
| <p>CARACTERISTICAS DE GEOMETRIA Y SIMBOLOS</p> <ul style="list-style-type: none"> ▭ PLANICIDAD - RECTITUD ∠ ANGULARIDAD ⊥ PERPENDICULARIDAD (A ESCUADRA) // PARALELISMO ○ REDONDEZ (CIRCULARIDAD) ⊘ CILINDRICIDAD △ PERFIL DE CUALQUIER SUPERFICIE ∧ PERFIL DE CUALQUIER LINEA ↑ VARIACION ⊕ POSICION REAL ◎ CONCENTRICIDAD = SIMETRIA <p>ASME Y14.5M 1994</p> | <p>A MENOS QUE SE ESPECIFIQUE DE OTRA MANERA, LAS TOLERANCIAS DE LAS DIMS; SON LAS SIGUIENTES:</p> <table border="0"> <tr> <td></td> <td>XX</td> <td>XXX</td> <td>XXXX</td> </tr> <tr> <td>PULG</td> <td>±.1</td> <td>±.02</td> <td>±.005 ±.0005</td> </tr> <tr> <td>mm</td> <td>±0.5</td> <td>±0.13</td> <td>±0.013</td> </tr> <tr> <td>ANG.</td> <td>± 50</td> <td>GRADOS</td> <td></td> </tr> <tr> <td colspan="4">ELIMINAR REBABAS Y ORILLAS FILOSAS DEL BORDE.</td> </tr> <tr> <td></td> <td>PULG .003-.015</td> <td>mm 0.1-0.4</td> <td></td> </tr> <tr> <td colspan="4">FILETEAR ESQUINA: PULG .020 mm 0.5</td> </tr> <tr> <td colspan="4">MAQUINAR SUPERFICIES</td> </tr> <tr> <td></td> <td>PULG 125</td> <td>mm 3.2</td> <td></td> </tr> </table> <p>DIMS METRICAS MOSTRADAS [PARENTESIS]</p> | | XX | XXX | XXXX | PULG | ±.1 | ±.02 | ±.005 ±.0005 | mm | ±0.5 | ±0.13 | ±0.013 | ANG. | ± 50 | GRADOS | | ELIMINAR REBABAS Y ORILLAS FILOSAS DEL BORDE. | | | | | PULG .003-.015 | mm 0.1-0.4 | | FILETEAR ESQUINA: PULG .020 mm 0.5 | | | | MAQUINAR SUPERFICIES | | | | | PULG 125 | mm 3.2 | | <p>DIBUJADO POR: HZ</p> <p>01-12-2010</p> <p>APROBADO POR: SH</p> <p>01-12-2010</p> <p>TERCER ANGULO DE PROYECCION</p> <p>FECHA EDS: 02-22-2008</p> <p>REV. FORMATO: G</p> <p>CONFIDENCIAL: ESTE DIBUJO Y SU INFORMACION SON PROPIEDAD DE USO EXCLUSIVO Y CONFIDENCIAL DE REGAL-BELOIT CORPORATION. Y NO DEBERAN SER REVELADOS, DUPLICADOS, DISTRIBUIDOS O USARSE DE OTRA MANERA SIN EL CONSENTIMIENTO ESCRITO DE REGAL-BELOIT CORPORATION. -TODOS LOS DERECHOS RESERVADOS.</p> | <p>REGAL-BELOIT CORPORATION</p> <p>DESCRIPCION: MODEL-PFHP-35FR OUTLINE</p> <p>TAMAÑO: C</p> <p>NUMERO DE DIBUJO: OBK6002V1</p> <p>ESCALA: NONE</p> <p>HOJA: 1</p> |
| | | | XX | XXX | XXXX | | | | | | | | | | | | | | | | | | | | | | | | | | | | | | | | | | |
| | | PULG | ±.1 | ±.02 | ±.005 ±.0005 | | | | | | | | | | | | | | | | | | | | | | | | | | | | | | | | | | |
| | | mm | ±0.5 | ±0.13 | ±0.013 | | | | | | | | | | | | | | | | | | | | | | | | | | | | | | | | | | |
| ANG. | ± 50 | GRADOS | | | | | | | | | | | | | | | | | | | | | | | | | | | | | | | | | | | | | |
| ELIMINAR REBABAS Y ORILLAS FILOSAS DEL BORDE. | | | | | | | | | | | | | | | | | | | | | | | | | | | | | | | | | | | | | | | |
| | PULG .003-.015 | mm 0.1-0.4 | | | | | | | | | | | | | | | | | | | | | | | | | | | | | | | | | | | | | |
| FILETEAR ESQUINA: PULG .020 mm 0.5 | | | | | | | | | | | | | | | | | | | | | | | | | | | | | | | | | | | | | | | |
| MAQUINAR SUPERFICIES | | | | | | | | | | | | | | | | | | | | | | | | | | | | | | | | | | | | | | | |
| | PULG 125 | mm 3.2 | | | | | | | | | | | | | | | | | | | | | | | | | | | | | | | | | | | | | |

| | | | | | |
|----|---------|-----------|------------|----------|------------|
| 版本 | ECO | 编制 | 日期 | 批准 | 日期 |
| C | 0025410 | E.SINECIO | 04-17-2012 | R.RASCON | 04-17-2012 |



- 技术要求:
1. NEMA 48M 机壳安装凸缘
 2. ▲ 关键尺寸
 3. 端护罩不经过油漆, 在电机表面进行铝抛丸处理并且材质也要防腐蚀防油
 4. 视角是从轴端逆时针方向看
 5. 热保护器: 按照 UL1004 自动复位
 6. 电缆线为: 标准 18 GA, 耐油重型电缆, 绝缘最低温度为90° 绝缘层为橙色 (L1) & 白色 (N), 最大直径, 含绝缘外套 (或最大外径) 为 .375 [9.53]



| | | | | | |
|---|--|--|---|--|-----------------|
| 形位公差 □ 平面度 — 直线度 < 倾斜度 ⊥ 垂直度 // 平行度 ○ 圆度 ⊙ 圆柱度 △ 面轮廓度 ⊖ 线轮廓度 ⤴ 圆跳动 ⊕ 位置度 ⊙ 同轴度 ≡ 对称度 | 除另有注明 尺寸公差如下: 英寸 X XX XXX XXXX 毫米 ±.1 ±.02 ±.005 ±.0005 角度 ±.50 度 清理毛刺和尖棱 英寸 .003-.015 毫米 0.1-0.4 内圆角 英寸 .020 毫米 0.5 表面粗糙度 英制 125 米制 3.2 | 绘图: HZ 批准: SH 第三角投影 | 01-12-2010 01-12-2010 图纸格式发布日期 02-22-2008 图纸格式版本 G | 名称 REGAL-BELOIT CORPORATION MODEL-PFHP-35FR OUTLINE | |
| | | 机密: 本图纸及相关信息所有权归REGAL-BELOIT CORPORATION 未经REGAL-BELOIT CORPORATION书面授权, 不得泄露、 复制、传播或作其他用途。—版权所有 | | 图幅 C 比例 NONE | 图号 OBK6002V1 |

ASME Y14.5M 1994

D
C
B
A

D
C
B
A

4

3

2

1