

New Product Notification

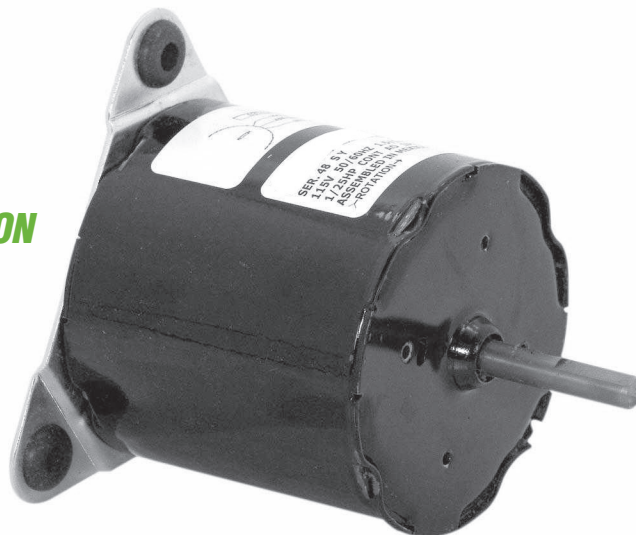


Formerly A. O. Smith Electrical Products Company

OEM REPLACEMENT MOTOR "For Krack"



**USES
ORIGINAL
OEM CONNECTION**



Features For Both:

- Direct OEM Replacements:
No Modifications Required
- Shaded Pole
- Sleeve Bearing
- Thermally Protected
- 40°C Ambient
- Single Phase
- 50/60 Hertz
- Insulation Class A
- Enclosed
- Lug Mount
- UL and CSA Approved
- See Reverse Side for Outline Drawing

Stock No. 9629
Krack No. 11510 (115V)

Replacement for:
Century JA2P228
Fasco 8254110680
Fasco D1158 (115/230V)
Krack 11510

Stock No. 9630
Krack No. 11511 (200-230V)

Replacement for:
Century JA2P229
Fasco 8254160150
Fasco D1158 (115/230V)
Krack 11511

Stock No.	HP	Volts	Amps	RPM	Speeds	Frame	HZ	Rotation	Wt.
9629	1/25	115	1.5/1.3	1250/1550	1	3.3	50/60	CWSE	4.5
9630	1/20	208-230	0.8/0.7	1250/1550	1	3.3	50/60	CWSE	4.5

**NOW AVAILABLE!
FAX OR PHONE YOUR ORDER TODAY!**

Distribution Marketing
1325 Heil Quaker Blvd.
LaVergne, TN 37086
PH: 800-672-6495
FAX: 800-468-2062

www.centuryelectricmotor.com

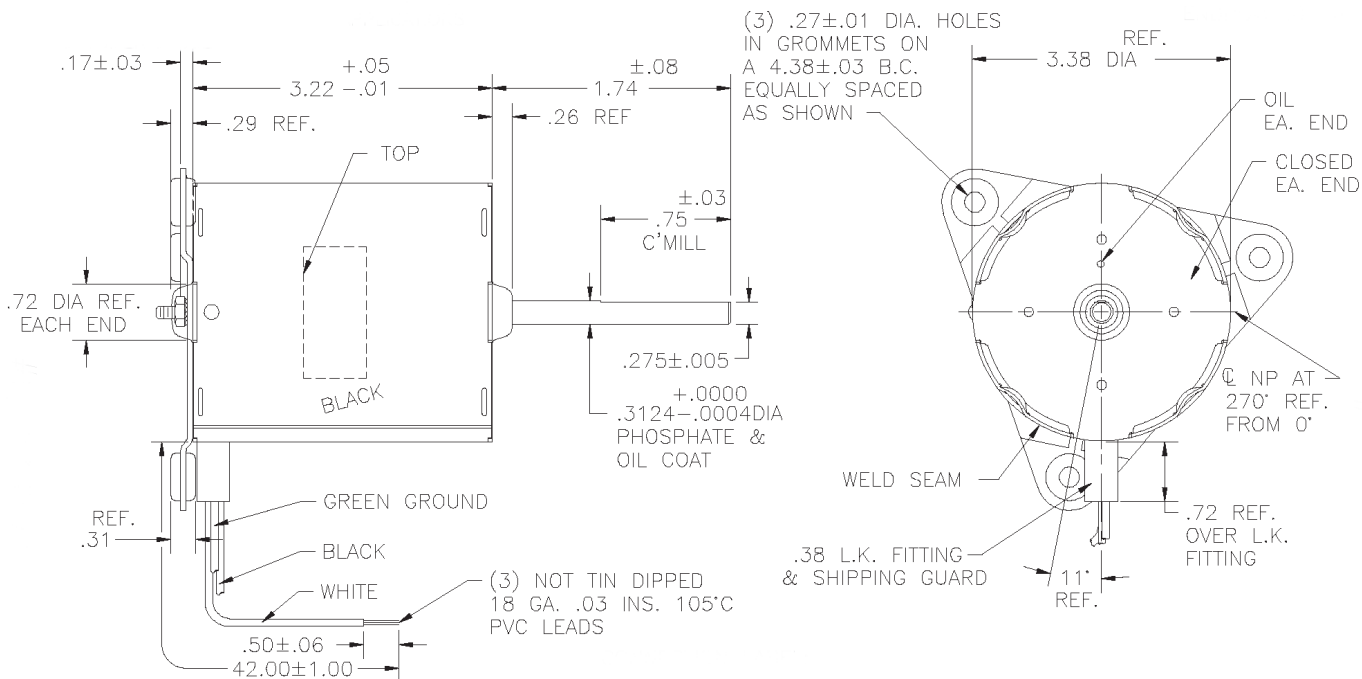
©2012 Regal-Beloit Corporation Bulletin 6017 6/2012

A Regal Brand

REGAL

OEM REPLACEMENT FOR KRACK

STOCK NO. 9629



OEM REPLACEMENT FOR KRACK

STOCK NO. 9630

