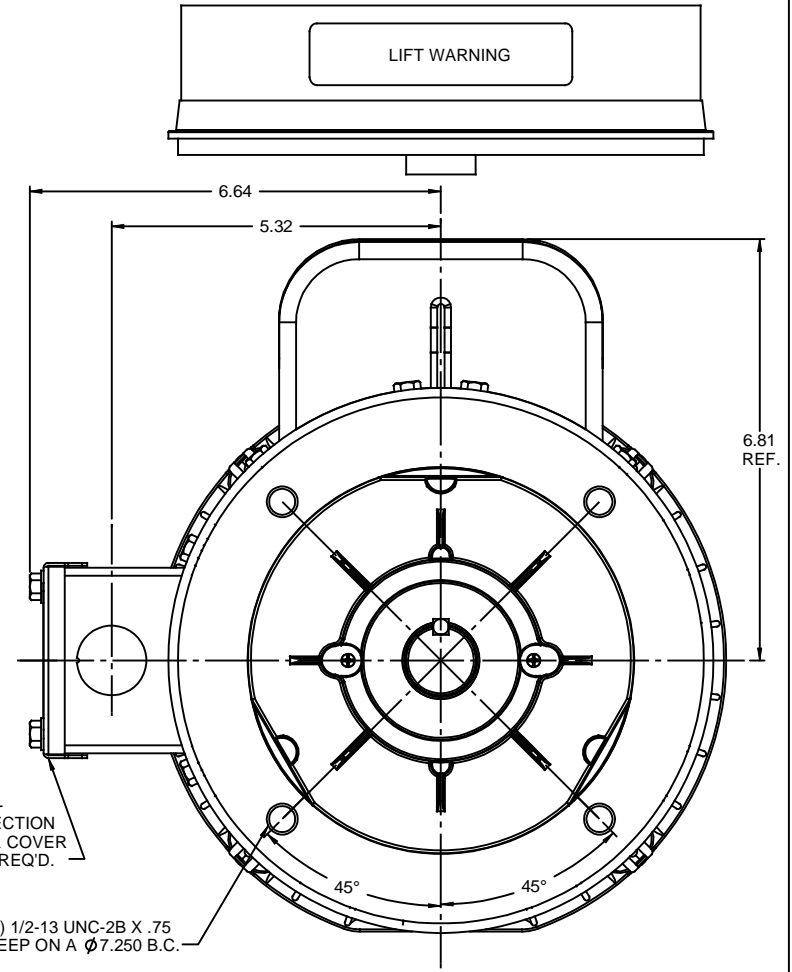
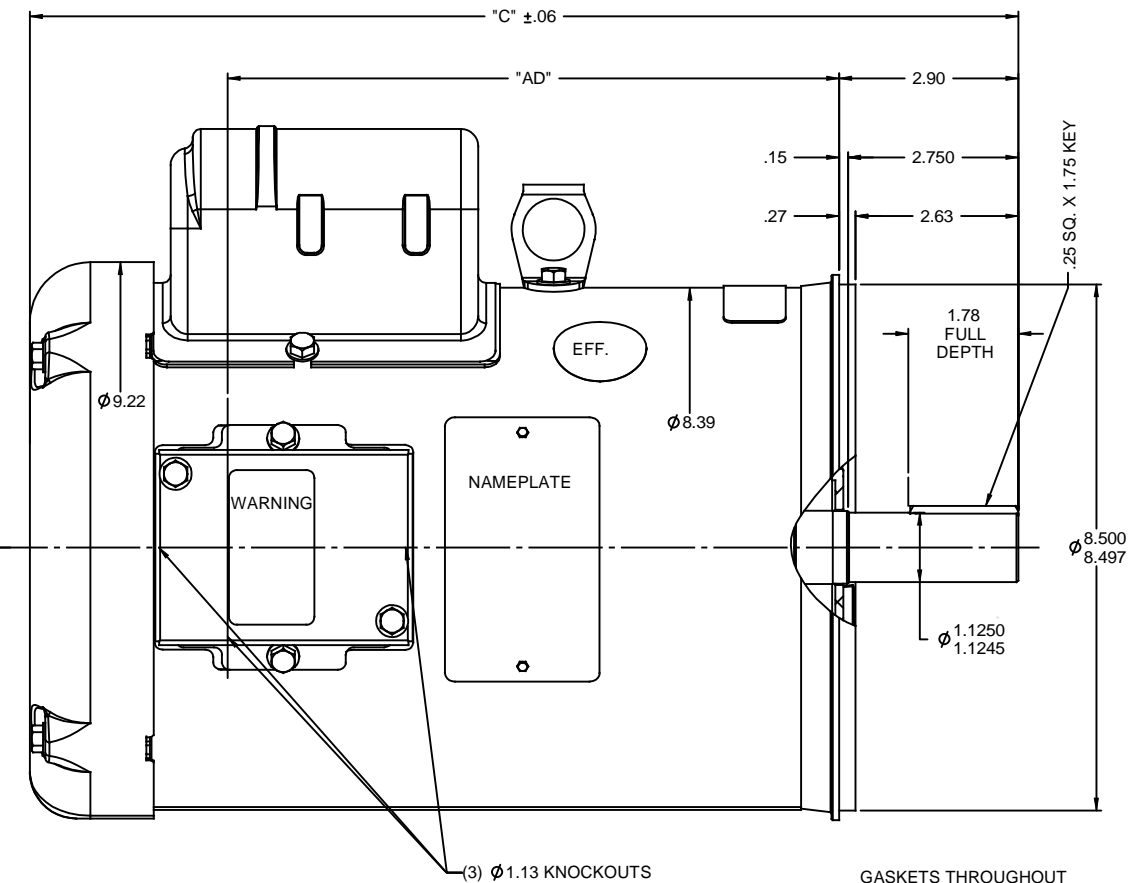


RBC PROPRIETARY AND CONFIDENTIAL INFORMATION
 This document is the property of REGAL BELOIT CORPORATION ("RBC") including its subsidiaries and divisions and contains proprietary information of RBC. This document is loaned on the express condition that neither it nor the information contained therein shall be disclosed to others without the express written consent of RBC, and that the information shall be used by the recipient only as approved expressly by RBC. This document shall be returned to RBC upon its request. This document may be subject to certain restrictions under U.S. export control laws and regulations.



GASKETS THROUGHOUT
 MAXIMUM FACE RUNOUT TO BE .004 T.I.R.
 MAXIMUM PILOT ECCENTRICITY TO BE .004 T.I.R.
 PERMISSIBLE SHAFT RUNOUT TO BE .002 T.I.R.

DASH NO.	"C"	"AD"
800	13.47	7.38
850	13.97	7.88
900	14.47	8.38
950	14.97	8.88
1000	15.47	9.38
1050	15.97	9.88
1100	16.47	10.38
1150	16.97	10.88
1200	17.47	11.38

REVISION		BY & DATE	CHK	ANG	FINISH	SIZE	DRAWING NO	REV
THIRD ANGLE PROJECTION			RFP		PREV	B	035746	

TOLERANCES UNLESS SPECIFIED	INCHES	REGAL BELOIT CORPORATION		DRAWN LST 1/9/10
DEC	±.1	REGAL BELOIT CORPORATION		CHK
X	±.03	REGAL BELOIT CORPORATION		APPR
.XX	±.005	REGAL BELOIT CORPORATION		SCALE 1:2
.XXX	±.0005	REGAL BELOIT CORPORATION		REF
.XXXX	±.00005	REGAL BELOIT CORPORATION		FMF
NO		TITLE OUTLINE - 184TC FRAME		PAGE OF
		TEFC - "C" FACE		REF
		MAT'L		FMF
		CHK ANG ±1/2°		PAGE OF
		RFP		PREV
		FINISH		SIZE
		NETWORK FILE NAME		DRAWING NO
				REV