

[Back to MaxFlo Pump Page Page](#)

For Replacement Motors see bottom of page

Max-Flo™

High Performance Pump Series



SP2807X10 1 HP Max-Flo pump.

Combining maximum performance with durable, corrosion-proof materials, MaxFlo Pumps are an exceptional value. Now with swing-aside hand knobs and a strainer basket that's 50% larger, the new MaxFlo is the ideal choice for both new pool and aftermarket installations. When you're looking for both economy and performance, specify MaxFlo.

Applications

- In-ground pools of all types and sizes
- In-ground spas

Features

- Self-priming (suction lift up to 8' above water level)
- Exclusive swing-aside hand knobs make strainer cover removal easy
- Lexan® see-thru strainer cover lets you see when basket needs cleaning
- Strainer basket is 50% larger and incorporates an integral non-corrosive handle. Load extender ribbing ensures free flowing operation.
- All components molded of corrosion-proof PermaGlass XL™ for extra durability and long life
- Heavy-duty, high performance motor for quieter, cooler operation
- Service-ease design gives simple access to all internal parts

Performance Data

Model No. Max Rated	Pump Output (GPM) vs. Total Resistance To Flow (Feet of Head)					
	20 ft	30 ft	40 ft	50 ft	60 ft	70 ft
SP2800X5	53	43	28	----	-----	----
SP2805X7	64	57	46	31	-----	-----
SP2807X10	82	75	63	50	27	-----
SP2810X15	94	87	77	67	50	10
SP2815X20	107	105	95	85	70	51

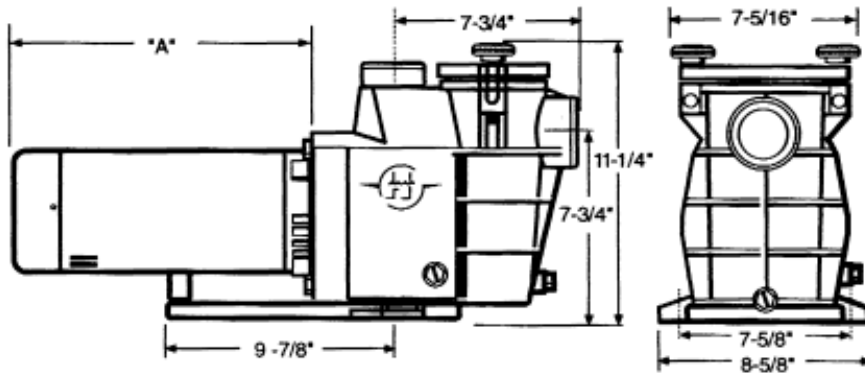
Performance Data (low speed)

Model No. Max Rated	Pump Output (GPM) vs. total Resistance To Flow (Feet of Head)		
	5 ft	10 ft	15 ft
SP2810X152	44	37	23

Miscellaneous Notes

10 Year Warranty On Strainer Housing
For high-speed performance data on dual-speed pumps refer to the first Performance Data chart.

Overall Dimensions



Replacement Motors:

[Super Pumps use the 56J Motor](#)

Seal = AS201

Electric Motor Warehouse
1-877-98MOTOR

© 2001 Hayward Pool Products, Inc.