

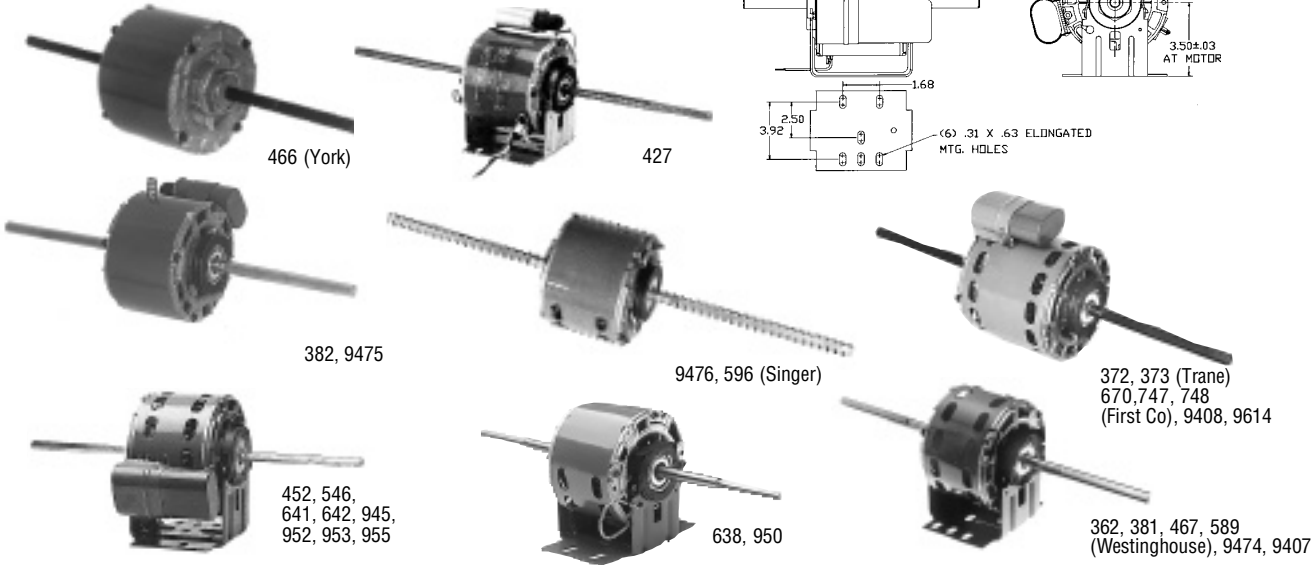
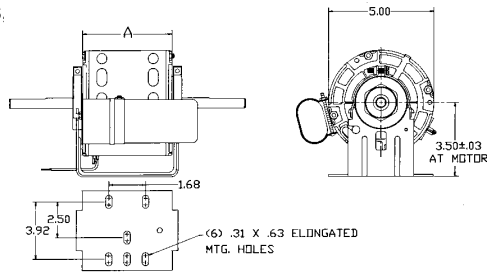
5" Diameter Stock Motors

Fan Coil/Air Conditioning

Permanent Split Capacitor – 60 Hz – Thermally Protected – Continuous Duty, Air Over

OEM replacement for Markel, American Standard, Dunham Bush, Nesbitt, Fedders, York, Chrysler, Trane, Bohn, McQuay, Carrier, First Company and others.

Applications: Air Conditioners • Blower Applications • Fan Coils



Stock No.	Hp	Volts	RPM	Amps	Speeds	Capacitor	"A"	Shaft Diameter & Length	Iron Stack	Connection Diagram No.*	Notes
952	1/30-1/100-1/200	115	1100	.74-.31-.22	3	5MFD-370V	3-3/4	8-1/2 x 1/2 x 9-1/8	3/4	14u	1
373	1/30	115	1100	.60/.64	2	FURNISHED	4-1/4	10-1/2 x 1/2 x 10-1/2	3/4	29u	1,2
641	1/30-1/60-1/125	115	1075	.5-.4-.3	3	FURNISHED	3-1/2	8-1/2 x 1/2 x 8	1	83u	1
372	1/25	115	1060	.60/.64	2	FURNISHED	3-1/2	11 x 1/2 x 11	3/4	29u	1,2
546	1/20-1/30-1/50-1/75	115	1075	.78-.55-.36-.27	4	FURNISHED	3-1/2	10-1/8 x 1/2 x 10-1/8	1	13u	
452	1/20-1/25-1/35-1/50	115	1075	.8-.62-.45-.38	4	FURNISHED	3-1/4	10 x 3/8 x 10	1	13u	
427	1/20-1/30	277	1320-1050	.48-.38	2	FURNISHED	4-1/2	8 x 1/2 x 8	1-1/2	145u	
953	1/15-1/45-1/60	115	1100	.8-.5-.35	3	5MFD-370V	3-1/4	10-7/8 x 1/2 x 10-7/8	1	14u	1
9474	1/15-1/20-1/25-1/35	115	1075	1.2-.8-.7-.6	4	5MFD-370V	3-3/4	11 x 1/2 x 11	1		
362	1/10-1/15-1/25-1/35	115	1075	1.7-1.3-.85-.62	4	5MFD-370V	3-1/2	10 x 1/2 x 10	1	13u	
381	1/10-1/15-1/20	208-230	1075	.81-.56-.44	3	5MFD-370V	3-1/2	10 x 1/2 x 10	3/4	14u	
596	1/8-1/12-1/14	277	1075	.83-.59-.49	3	5MFD-370V	3-1/2	9 x 1/2 x 9	1/2	13u	1,2
670	1/6-1/10-1/20	115	1075	2.7-1.6-1.0	3	FURNISHED	4-1/4	8-1/4 x 1/2 x 8-1/4	1-1/2	14u	2
9607	1/5	208-230	1075	1.2	1	5MFD-370V	4	6-1/2 x 1/2 x 6-1/2	1		
466	1/4-1/8	208-230	1075	1.4-1.2	2	5MFD-370V	4-1/4	6-3/8 x 1/2 x 6-3/8	1-1/2	51u	1
382	1/25-1/40-1/50	115	1625	.73-.49-.37	3	FURNISHED	3-1/2	6-3/4 x 1/2 x 6-1/2	1	8u	2
638	1/10-1/20-1/35	115	1695	.87-.7-.5	3	4MFD-370V	3-3/4	6-5/8 x 3/8 x 6-1/2	1	6u	1
950	1/10-1/20-1/35	208-230	1500	.7-.5-.4	3	4MFD-370V	4	6-1/8 x 3/8 x 6-3/8	3/4	6u	1
9408	1/8-1/10-1/15-1/20	115	1550	2.1-1.6-1.3-.9	4	5MFD-370V	3-1/4	10-3/8 x 1/2 x 10-3/8	1-1/2	13u	1
945	1/8-1/20-1/50	115	1500	1.3-.9-.6	3	FURNISHED	4	9 x 1/2 x 7-1/2	1	21u	1
9476	1/6-1/8 -1/10-1/15	115	1625	2.2-1.6-1.1-.9	4	5MFD-370V	4-1/2	8-3/4 x 1/2 x 8-3/4	1		
9475	1/6-1/8 -1/12	230	1550	1.0-.7-.5	3	4MFD-370V	3-3/4	8 x 1/2 x 8	1		
748	1/6-1/8-1/10-1/12	120	1550	3.7-1.9-1.7-1.4	4	FURNISHED	3-1/2	8-1/8 x 1/2 x 8-1/8	1	25u	1,2
955	1/6-1/12-1/20	115	1500	2.0-1.1-.7	3	FURNISHED	4	10-1/2 x 1/2 x 10-1/2	1-1/4	74u	1
467	1/5-1/8-1/10	208-230	1625	1.0-.76-.61	3	5MFD-370V	4	9 x 1/2 x 9	1-1/2	14u	1
9614	1/5-1/10	208-230	1550	2.8-1.3	2	FURNISHED	3-3/4	8 x 1/2 x 8	1-1/4		2
642	1/4-1/8-1/20	277	1475	1.1-1.0-0.7	3	FURNISHED	4	8 x 1/2 x 8	1-1/2	21u	1
747	1/4-1/8	208-230	1625	2.0-0.8	2	FURNISHED	3-3/4	7-3/4 x 1/2 x 7-3/4	1-1/4	79u	1,2
589	1/3	208-230	1625	2.1	1	6MFD-370V	4-3/4	6-3/4 x 1/2 x 6-3/4	2	3u	1

Notes: 1. Special OEM Replacement Motor (See Pages 97-122) 2. Resilient Mounting Rings Included *See Pages 160-163 for Connection Diagram