

5-5/8" Diameter Standard Efficiency Indoor Blower Motors

Furnaces - Air Handlers - Blowers

Features

- Auto Protector
- Class "B" Insulation
- Continuous Air Over
- Lead Reversible
- Open Construction
- PSC
- Ring adapters
- Sleeve Bearing
- Standard Efficiency
- 2-1/4" Rings with 2-1/2" Adapters included
- 40° C Ambient
- 48 Frame (5-5/8" Dia.)
- 60 HZ only
- 26" Leads



STANDARD EFFICIENCY, REPLACES GE 3583, 84, 85, 86, 87, 88, 89, 90 (CAPACITOR NOT INCLUDED)

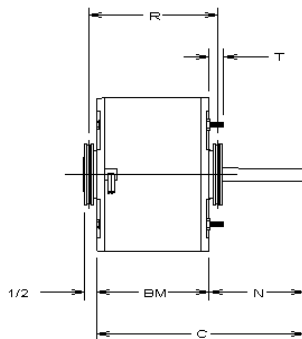
HP	RPM/ Speeds	Volts	Amps		Stock Number	Capac.	Dim. Ref.	Conn. Dia.	Notes
			Rated	Max.					
1/4	1075/3	115	3.5	4.6	DL1026	5/370V	1	51	
1/4	1075/3	208-230	1.8	2.2	D1026	5/370V	1	51	
1/3	1075/3	115	4.9	6.4	DL1036	7.5/370V	2	52	
1/3	1075/3	208-230	2.6	3.1	D1036	5/370V	2	52	
1/2	1075/3	115	6.5	9.0	DL1056	10/370V	4	52	
1/2	1075/3	208-230	3.2	4.3	D1056	7.5/370V	4	52	
3/4	1075/3	115	8.9	10.3	DL1076	15/370V	5	52	
3/4	1075/3	208-230	4.0	5.0	D1076	10/370V	5	52	

2 SPEED-STANDARD EFFICIENCY, REPLACES GE 3383, 84, 85, 86, 87, 88, 89, 90 (CAPACITOR NOT INCLUDED)

HP	RPM/ Speeds	Volts	Amps		Stock Number	Capac.	Dim. Ref.	Conn. Dia.	Notes
			Rated	Max.					
1/4	1075/2	115	3.5	4.6	DL001	5/370V	1	124	
1/4	1075/2	208-230	1.8	2.2	D0002	5/370V	1	123	
1/3	1075/2	115	4.9	6.4	DL003	7.5/370V	2	124	
1/3	1075/2	208-230	2.6	3.1	D0004	5/370V	2	124	
1/2	1075/2	115	6.5	9.0	DL005	10/370V	4	124	
1/2	1075/2	208-230	3.2	4.3	D0006	7.5/370V	4	124	
3/4	1075/2	115	8.9	10.3	DL007	15/370V	5	124	
3/4	1075/2	208-230	4.0	5.0	D0008	10/370V	5	124	



Adapter 621529-002
for Fleximount



Approximate Dimensions

Ref.	BM	R	C	N	T
1	4-1/16	4-5/8	8-9/16	4-1/2	5/8
2	4-5/16	4-7/8	8-7/8	4-1/2	5/8
4	4-13/16	5-3/8	9-3/8	4-1/2	5/8
5	5-5/8	6-3/16	10-1/8	4-1/2	1-5/8