

6-1/2" Diameter Commercial Condenser Fan Motors

56 Frame Commercial Condenser Motors

(Replaces many Carrier, Trane, York, Lennox, American Standard, etc.)

Features

Important: Use amps as well as HP for replacement reference.

- Auto protector
- Class "B" insulation
- Double sealed ball bearings
- Latest hybrid epoxy corrosion resistant paint finish
- Locating screws for ease of assembly
- Moisture protecting rain shield
- Quick conn. term. board - (1Ø)
- Reversible
- Threaded conduit hole - shaft end
- 5/8" key/flatted shaft
- 60° C Ambient
- 60 HZ



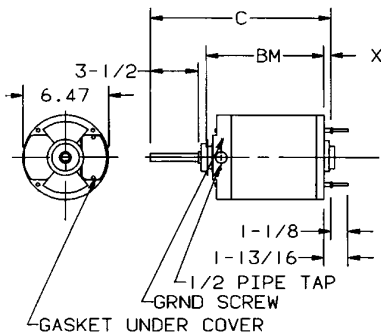
SINGLE PHASE- (PERMANENT SPLIT CAPACITOR) (CLOSED EXCEPT LEAD END) (CAPACITOR NOT INCLUDED)

HP	RPM	Volts	Amps @ 230V		Frame	Stock No.	Capac.	Dim. Ref.	Conn. Dia.	Notes
			Rated	Max.						
1	1075	200-230/460	5.0	6.0	56Y	FY1106	20/370	1	57	
1-1/2	1075	200-230/460	7.6	10	56Y	FY1156	25/370	2	57	



THREE-PHASE (TOTALLY ENCLOSED)

HP	RPM	Volts	Amps @ 230V		Frame	Stock No.	Dim. Ref.	Conn. Dia.	Notes
			Rated	Max.					
1	1140	200-230/460	5.0	5.4	56Y	FY3106	1	35	
1-1/2	1140	200-230/460	5.4	6	56Y	FY3156	3	35	



Approximate Dimensions

Ref.	BM	C	X
1	9-5/8	14-7/16	5/8
2	10-1/16	14-15/16	5/8
3	10-5/16	14-9/16	5/8

Notes:

Motors shipped with thru bolts out shaft end – see photos above. May be reversed for vertical mount.