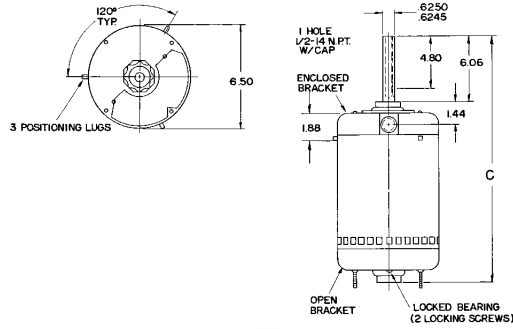


**56 Frame Vertical Condenser Fan Continuous Duty, Air Over**

**Permanent Split Capacitor & Three Phase Features:**

- Double Sealed Ball Bearing
- 60°C Ambient
- Class B Moisture-Resistant Insulation
- Positioning Lugs for easy Belly-Band Mounting
- Reversible
- Shaft with both Keyway and Flat
- Quick-Connect Design
- Service Factor 1.0
- 60 Hz



**PERMANENT SPLIT CAPACITOR - ELECTRICALLY REVERSIBLE**

Stock No.	Hp	Volts	RPM	Amps	Capacitor	Shaft Diameter		Protector	Notes
						"C"	& Length		
C512	1/2	460/200-230	850	1.7/3.4	15MFD-370V	16.81	5/8 x 6	AUTO	
C660	3/4	460/200-230	825	2.6/5.2	15MFD-370V	17.31	5/8 x 6	AUTO	
C490	1	460/200-230	825	3.4/7.2-6.8	12.5MFD-370V	17.50	5/8 x 6	AUTO	4
C513	1/2	460/200-230	1075	1.3/2.5	10MFD-370V	16.31	5/8 x 6	AUTO	
C661	3/4	460/200-230	1075	1.9/4.0-3.8	15MFD-370V	16.31	5/8 x 6	AUTO	7
C662	3/4	460/208-230	1075	2.1/4.3-4.2	FURNISHED	12.75	5/8 x 2-1/2	AUTO	1,3
C770	1	460/200-230	1075	2.4/4.8	25MFD-370V	16.81	5/8 x 6	AUTO	7
C771	1-1/2	460/200-230	1075	3.3/6.6	25MFD-370V	18.06	5/8 x 6	AUTO	7

**THREE PHASE - ELECTRICALLY REVERSIBLE**

Stock No.	Hp	Volts	RPM	Amps	Capacitor	Shaft Diameter		Protector	Notes
						"C"	& Length		
H686	1	460/200-230	850	2.0/4.4-4.0	Open OSE	15.19	5/8 x 5	AUTO	
H564	1/2	460/200-230	1140	1.3/2.8-2.6	Open OSE	16.31	5/8 x 6	AUTO	
H567	3/4	460/200-230	1140	1.5/2.8-3.0	Open OSE	16.31	5/8 x 6	AUTO	
H667	1	460/200-230	1140	2.6/5.3-5.2	Open OSE	16.81	5/8 x 6	AUTO	
H685	1	460/200-230	1140	1.9/4.2-3.8	TE	13.81	5/8 x 3-1/2	AUTO	6
H696	1	460/208-230	1140	1.8/3.7-3.6	TE	15.63	5/8 x 4-7/8	AUTO	2,5
H671	1	575	1140	2.0	Open OSE	16.31	5/8 x 6	AUTO	
H767	1-1/2	460/200-230	1140	3.0/5.8-6.0	Open OSE	17.31	5/8 x 6	AUTO	
H697	1-1/2	460/200-230	1140	2.6/5.4-5.2	TE	17.44	5/8 x 6	AUTO	5
H698	2	460/208-230	1140	3.1/6.8-6.2	TE	15.63	5/8 x 3-1/2	AUTO	5
H978	SPL	460-575/208-230	1140	5.5/2.8-3.4	Open OSE	14.97	5/8 x 3-1/2	AUTO	1,5

- Notes:**
1. Special OEM Replacement Motor (See Pages 97-122)
  2. 60/50 Hz
  3. Cushion base
  4. 50-inch leads
  5. 70°C Ambient
  6. Rigid Base
  7. 1" Extended Thru Bolts