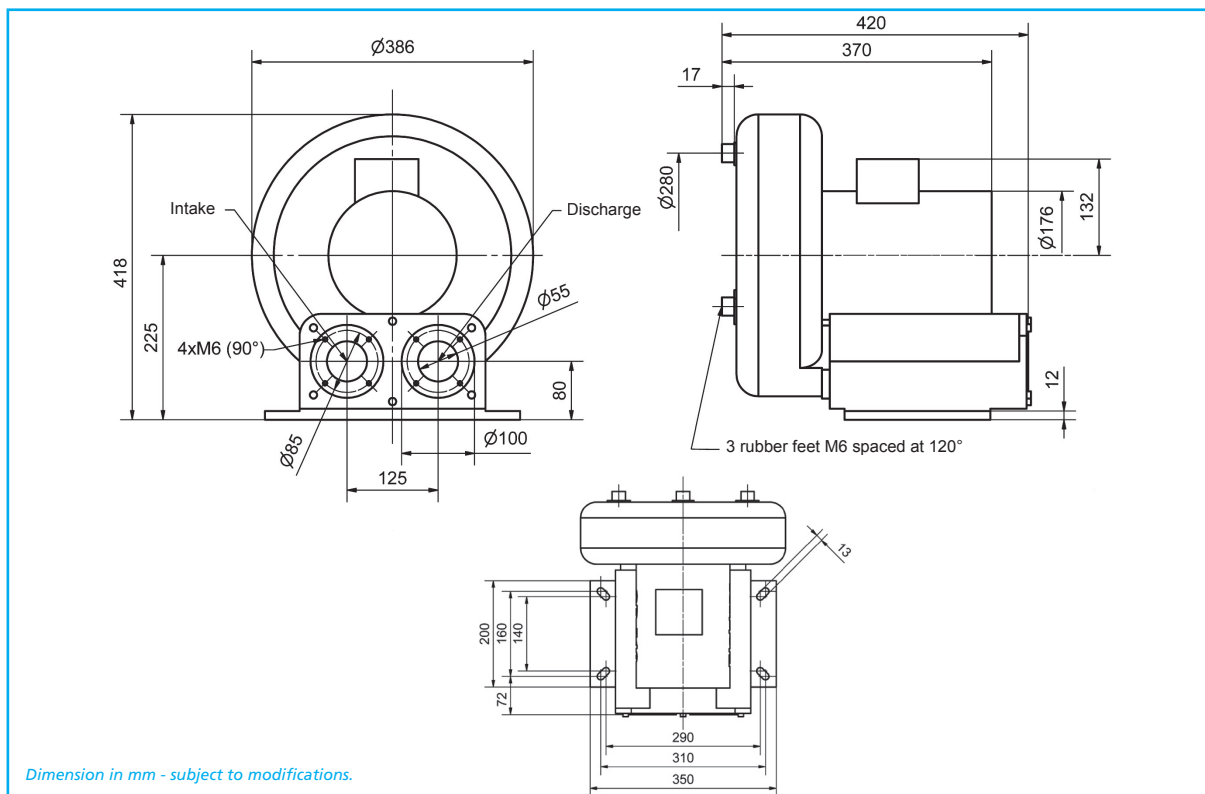


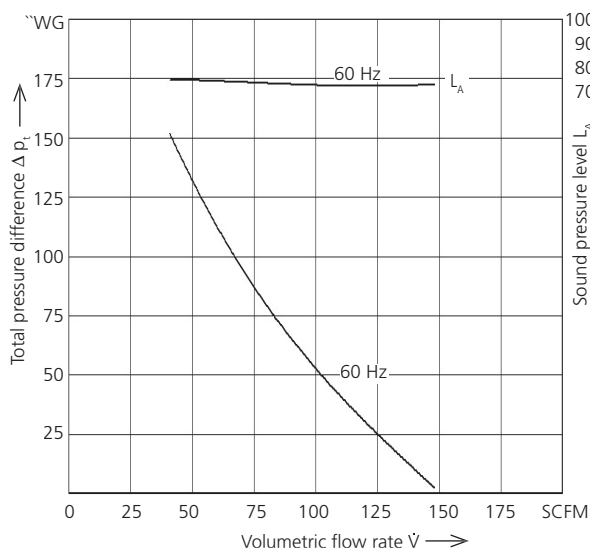
SD 540 VFD 5



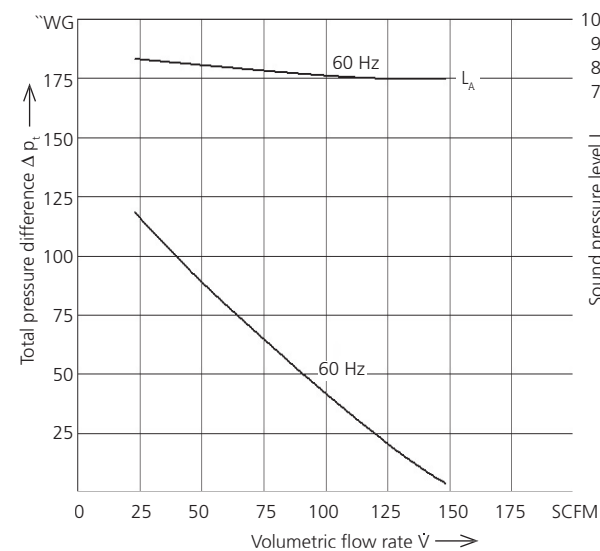
Delivery includes inlet and outlet flanges NPT 2".

Type	Maximum performance when used as blower			Maximum performance when used as extractor		Motor ratings				Weight
	Frequency	\dot{V} max	Δp_t max.	\dot{V} max.	Δp_t max.	Rated output	Voltage	Current	RPM	
	Hz	SCFM	"WG	SCFM	"WG	hp	V	Amp.	min ⁻¹	lb
SD 540 VFD 5	60	148	152	148	102	4,16	230/460	11,7/5,8	3440	76

Pressure



Vacuum



Technical and constructional subject to change.

Elektor
airsystems gmbh

Richard-Hirschmann-Straße 12
73728 Esslingen/Neckar
Germany
sales@elektor.com
www.elektor.com

FE
FUJIELECTRIC CORPORATION

FUJIELECTRIC CORPORATION OF AMERICA
Park 80 West Plaza II
USA-Saddle Brook, NJ 07663
fujidc@fecoa.fujielectric.com
www.fujielectric.com