

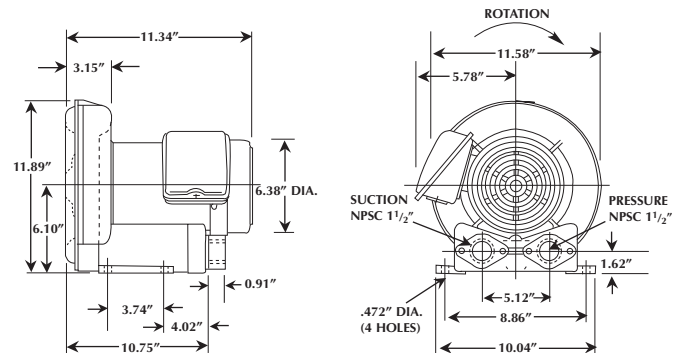


# VFC40

# RING COMPRESSOR



The VFC40 is a single-stage ring compressor with a maximum pressure of 54.5 in. H<sub>2</sub>O, a maximum vacuum of 50 in. H<sub>2</sub>O, and a maximum capacity of 98 SCFM. It comes complete with a direct-drive, 1 horsepower, TEFC motor capable of operating on a wide range of voltages, and on 50 or 60 Hz. A pilot-duty thermal protector is standard equipment on all 3-phase and 1-phase models. All versions have NEMA class B insulation, are UL recognized, CSA certified, and CE. 575V units are CSA certified only.



## SPECIFICATIONS

Model No.	Hz	Voltage	Amps		Max. Pressure in. H <sub>2</sub> O	Max. Vacuum in. H <sub>2</sub> O	Max. Airflow SCFM	Min. Airflow SCFM	Max. Temp Rise (ΔT) °F(°C)	Weight lbs.(kg)
			(Max. Rated)	(Locked Rotor)						
1 Phase <b>VFC400P-5T</b>	60	115/230	8.6/4.3	24/12	54.5	50	98	3.5	119(65)	51(23)
	50	110/220	6.0/3.0	22/11	40	37	84	3.5	101(55)	
3 Phase <b>VFC400A-7W</b>	60	200-240/400-480	3.3-2.8/1.7-1.4	15-16.5/7.4-8.2	54.5	50	98	3.5	119(65)	47.5(21.5)
	50	190-230/380-460	2.2-2.4/1.1-1.2	16.5-18.5/8.3-9.2	40	37	84	3.5	101(55)	
<b>VFC400A-5W</b>	60	575	1.3	7.2	54.5	50	98	3.5	119(65)	47.5(21.5)

## ACCESSORIES

Description	Vacuum Relief Valve	Pressure Relief Valve	Inlet Filter	Inlet Filter Cover	Inlet Filter/Receiver	Exhaust Silencer/Muffler
Model No.	VV4	PV4	F-45	C-45	R30P1.5	VFY-024A



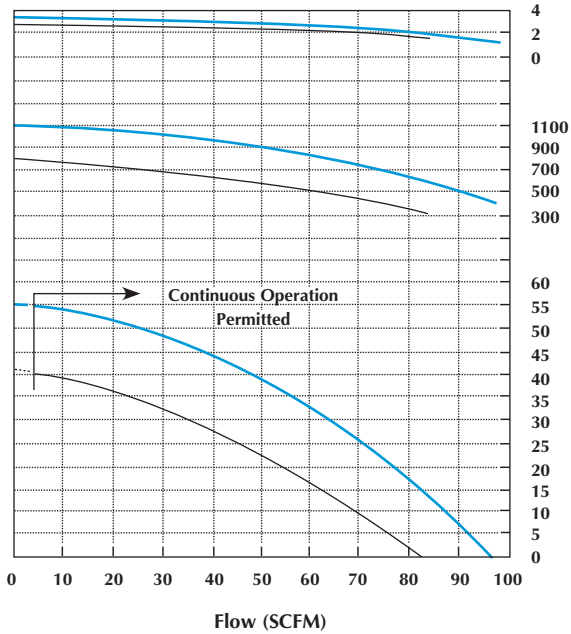
**NOTE:** Maximum allowable time at deadhead is 120 seconds.

# VFC40 PERFORMANCE DATA

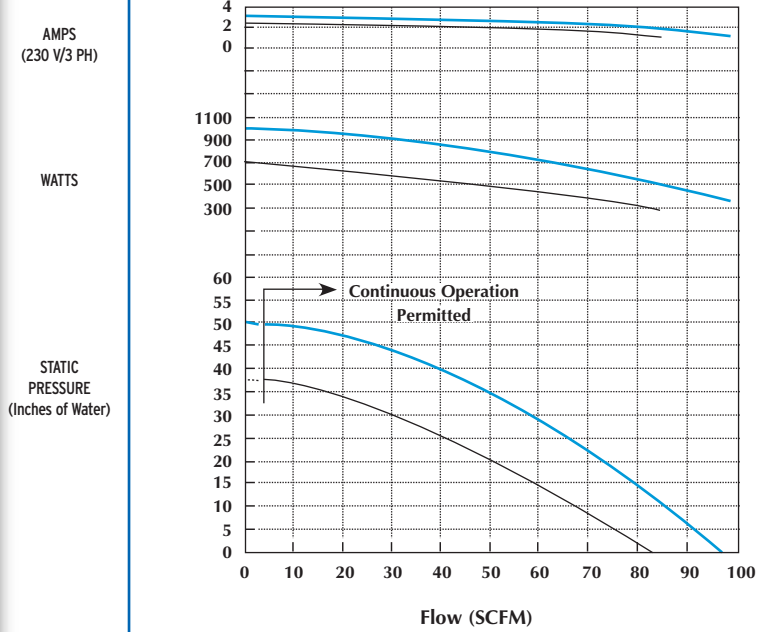
KEY

— 60 Hz  
— 50 Hz

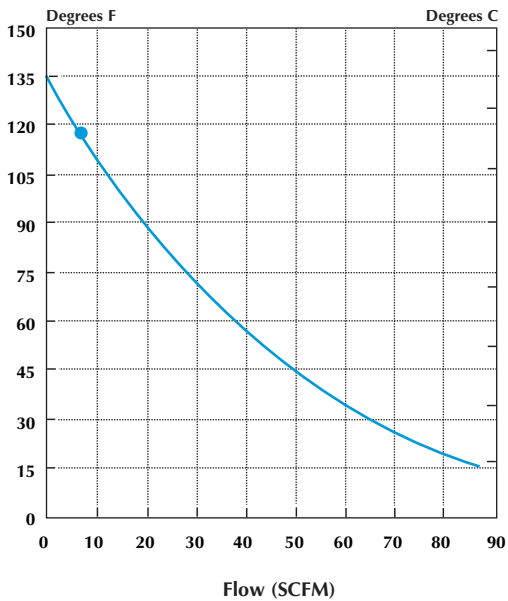
## PRESSURE



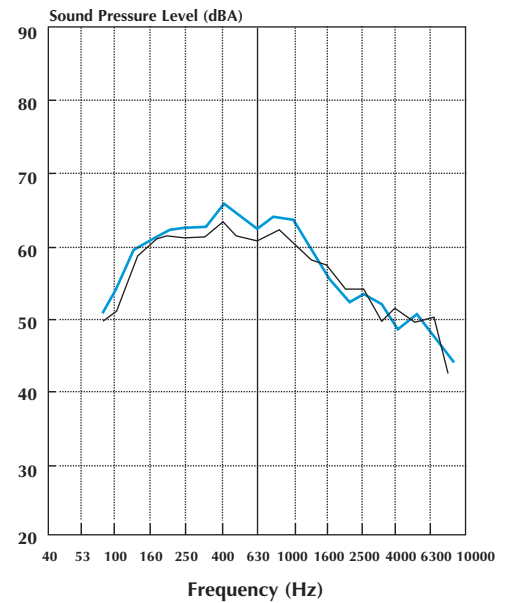
## VACUUM



## TEMPERATURE RISE



## SOUND LEVEL



Max. Air Temperature is Value Marked • plus 40 Degrees C Ambient Temperature

\*Measured at distance of 1.0 meter