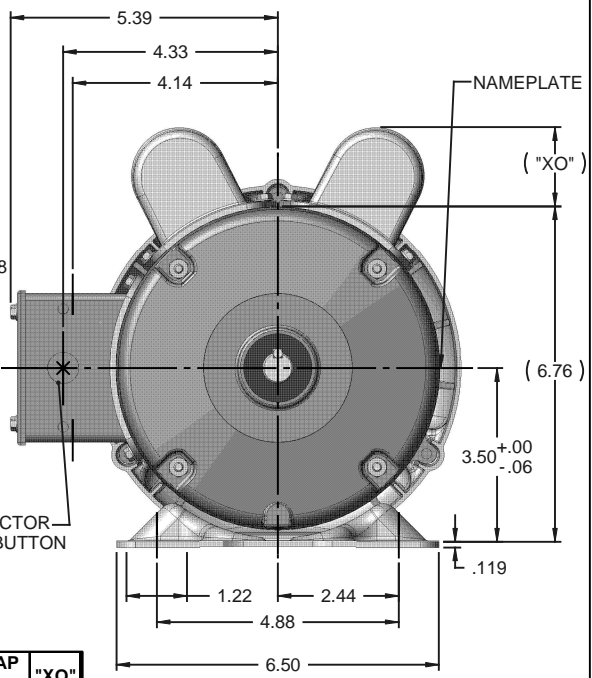
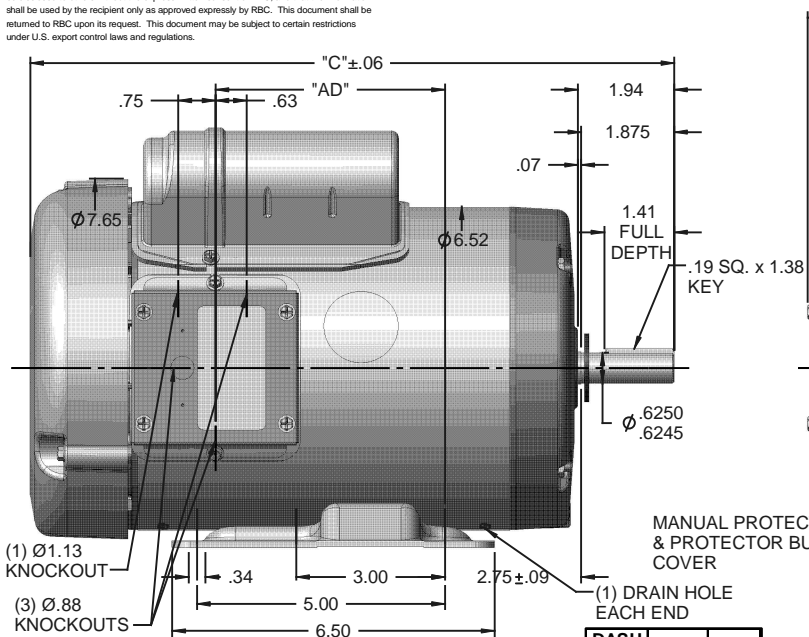


RBC PROPRIETARY AND CONFIDENTIAL INFORMATION
 This document is the property of REGAL BELOIT CORPORATION ("RBC") including its subsidiaries and divisions and contains proprietary information of RBC. This document is loaned on the express condition that neither it nor the information contained therein shall be disclosed to others without the express written consent of RBC, and that the information shall be used by the recipient only as approved expressly by RBC. This document shall be returned to RBC upon its request. This document may be subject to certain restrictions under U.S. export control laws and regulations.



DASH NO.	"C"	"AD"	CAP DASH	"XO"
700	12.49	4.13	A	1.15
750	12.99	4.63	B	1.60
800	13.49	5.13	C	1.82
850	13.99	5.63		

NOTES:
 1) MANUAL OVERLOAD PROTECTOR.
 2) FLINGER ON SHAFT.
 3) GASKETS THROUGHOUT.
 4) DRAIN HOLE IN FRAME (BOTH ENDS).

		TOLERANCES UNLESS SPECIFIED		ELECTRIC MOTORS GEARMOTORS AND DRIVES	DRAWN JJK 08/24/07
		DEC	INCHES		CHK
		X	±.1		APPR
		.XX	±.03		SCALE 3:8
		.XXX	±.005	TITLE OUTLINE - 56H FRAME	REF OL110089
		.XXXX	±.0005	TEFC - RIGID	FMF 110089.00
NO	REVISION	BY & DATE	CHK ANG ±1/2°	FINISH	PAGE OF
		THIRD ANGLE PROJECTION	RFP	PREV	SIZE A
		NETWORK FILE NAME 028779			DRAWING NO 028779
					REV