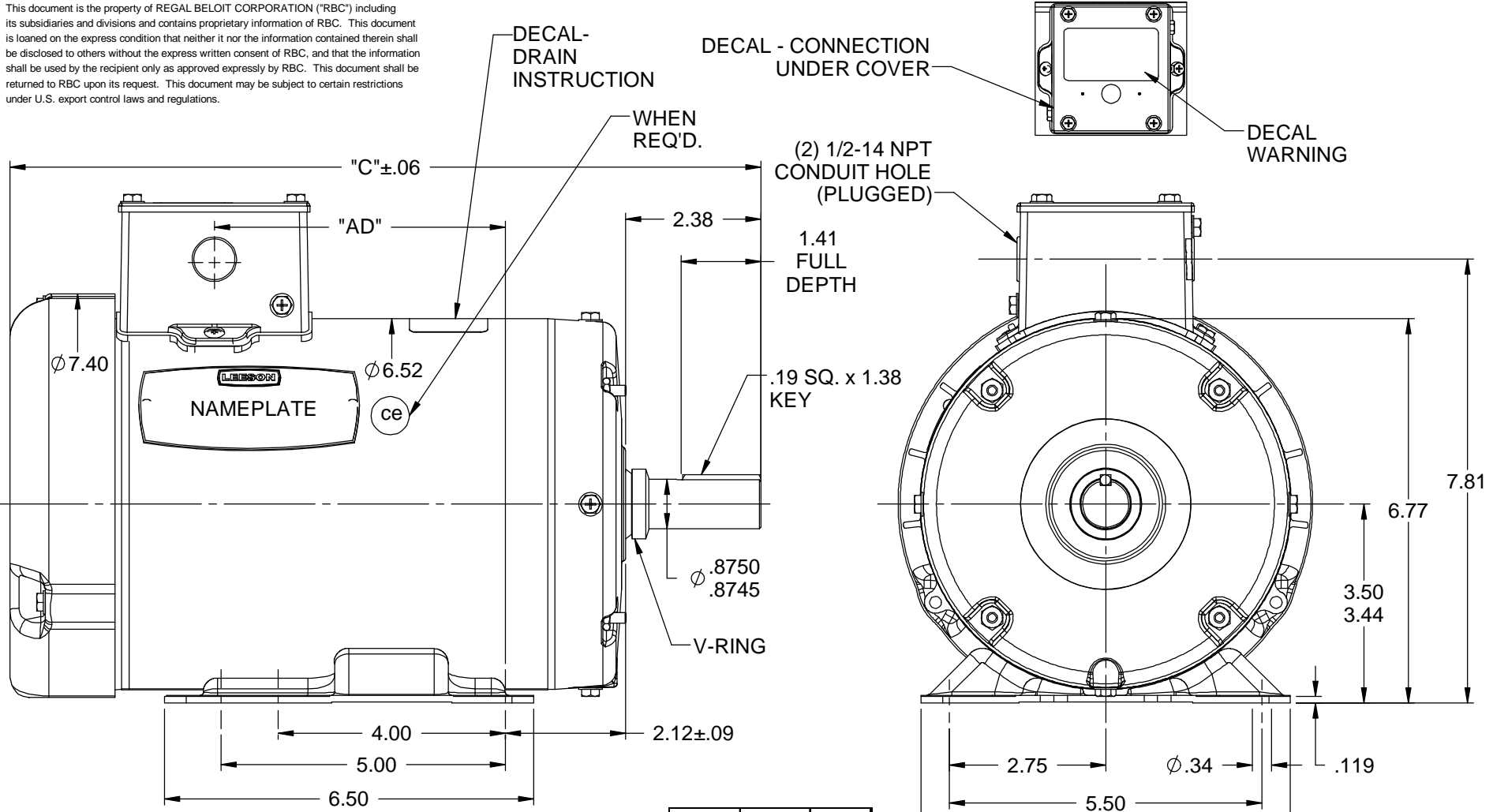


RBC PROPRIETARY AND CONFIDENTIAL INFORMATION

This document is the property of REGAL BELOIT CORPORATION ("RBC") including its subsidiaries and divisions and contains proprietary information of RBC. This document is loaned on the express condition that neither it nor the information contained therein shall be disclosed to others without the express written consent of RBC, and that the information shall be used by the recipient only as approved expressly by RBC. This document shall be returned to RBC upon its request. This document may be subject to certain restrictions under U.S. export control laws and regulations.



- WASHGUARD FEATURES:
- 1) SHAFT SEALS & V-RING
  - 2) PLUGGED DRAIN HOLES IN ENDBELLS & CONDUIT BOX
  - 3) STAINLESS STEEL SHAFT, HARDWARE, & NAMEPLATE
  - 4) GASKETS THROUGHOUT

DASH NO.	"C"	"AD"
700	12.72	4.62
750	13.22	5.12
800	13.72	5.62



ELECTRIC MOTORS  
GEARMOTORS  
AND DRIVES

DRAWN MBR 12/19/07  
CHK  
APPR

TOLERANCES UNLESS SPECIFIED		TITLE		DRAWN	
DEC	INCHES	OUTLINE - 140T FRAME		MBR 12/19/07	
.X	$\pm .1$	TEFC - RIGID <td colspan="2">SCALE 3:8 </td>		SCALE 3:8	
.XX	$\pm .03$	MAT'L FEATHER PICKER <td colspan="2">REF OLG121191 </td>		REF OLG121191	
.XXX	$\pm .005$	FINISH <td colspan="2">FMF G121191 </td>		FMF G121191	
.XXX	$\pm .0005$	PREV <td colspan="2">PAGE OF </td>		PAGE OF	
NO	REVISION	BY & DATE	CHK ANG	±1/2°	REV
			RFP		
			NETWORK FILE NAME	SIZE	DRAWING NO
				A	028810
					02

