



COMPRESSOR CATALOGUE



Applications

LBP

(Low Back Pressure)
Evaporating temperatures between -31°F and 14°F

Applications:
Refrigerators, frozen food cabinets, frozen food display cases, display windows, etc.

L/M/HBP

(Low/Medium/High Back Pressure)
Evaporating temperatures between -31°F and 59°F

Applications:
Ice makers, etc.

L/MBP

(Low/Medium Back Pressure)
Evaporating temperatures between -31°F and 23°F

Applications:
Commercial display counters, and drinking fountains

MPB

(Medium Back Pressure)
Evaporating temperatures between 5°F and 32°F

Applications:
Fresh food cabinets, drink coolers, ice makers, walk-in coolers and freezers.

HBP

(High Back Pressure)
Evaporating temperatures between 32°F and 59°F

Applications:
Fresh food cabinets, icemakers, dehumidifiers, dryers, etc.

Compressor Selection

Electrical Motor Starting Torque

Description	
LST (LOW)	Low Starting Torque: LBP-MBP-HBP-AC applications with RSIR-RSCR-PSC electric motors. Execution suitable for systems with a capillary tube and with balanced pressures at start up.
HST (HIGH)	High Start Torque: LBP-MBP-HBP-AC applications with CSIR-CSR electric motors. Execution suitable for systems with expansion valve or capillary tube, with unbalanced pressures at start up.

Electrical Motor Types

Description	
RSIR	Resistive Start - Inductive Run: No start capacitor; no run capacitor.
RSCR	Resistive Start - Capacitive Run: No start capacitor; run capacitor is needed to improve the efficiency.
CSIR	Capacitive Start - Inductive Run: No run capacitor; start capacitor is needed to improve the torque.
CSCR	Capacitive Start - Capacitive Run: CSCR version with capacitive run and start windings.
PSC	Permanent Split Capacitor: No starting device. Run capacitor is directly connected to the winding.

R12 Replacement Blend Compressors

Performance Specifications										Electrical Specifications								
Item ID	Old Item ID	Nominal HP	Volts	Application	Capacity BTU/H - ASHRAE			Replacement Guide		Item ID	Start Torque	Motor Type	LRA	Relay	Overload	Capacitor	Diagrams	
					L/MBP	HBP32	HBP46	Tecumseh	Danfoss								Physical	Wiring
30-EMI30ER1	EM30SC, EMI30ER, EM30, EM40NR, EM40SC	1/10	115	LBP	350	-	-	-	-	30-EMI30ER1	NORMAL	RSIR/CSIR	11.4	513514008	513634076	N/A	PD1	WD1
30-EMI45ER1	EM40, EMI45ER	1/8	115	LBP	485	-	-	-	-	30-EMI45ER1	NORMAL	RSIR	15.0	513514040	513634390	N/A	PD1	WD1
30-EMI55ER1	EM55, EM55NR, EMI55ER	1/6	115	LBP	570	-	-	-	-	30-EMI55ER1	NORMAL	RSIR/CSIR	16.5	513504018	13634790	N/A	PD1	WD1
30-EM65NR1	FF6BK (LBP only), EM65NR	1/5	115	LBP	635	-	-	-	-	30-EM65NR1	NORMAL	RSIR/CSIR	21.0	513504187	13634106	N/A	PD1	WD1
30-FFC60BK	FF6BK, FF7.5BK, FFC60BK1	1/5+	115	L/M/HBP	756	2,791	-	AE3425A-AA1A	-	30-FFC60BK	NORMAL	RSIR	25.0	513506405	13634653	N/A	PD4	WD4
30-FF8.5BK	FF8.5BKW, FF8.5BK1	1/4	115	L/M/HBP	850	3,080	-	-	-	30-FF8.5BK	NORMAL	RSIR/CSIR	33.0	513506783 (RSIR) 513506791 (CSIR)	13554007	START - 513556537	PD4	WD4
30-FF8.5BK-CAP	FF8.5BKW, FF8.5BK1	1/4	115	L/M/HBP	850	3,080	-	-	-	30-FF8.5BK-CAP	NORMAL	RSIR/CSIR	33.0	513506783 (RSIR) 513506791 (CSIR)	13554007	START - 513556537	PD4	WD4
30-FF10BK1	FF10BKW, FF10BK	1/4+	115	L/M/HBP	915	3,240	-	-	-	30-FF10BK1	NORMAL	RSIR/CSIR	34.0	513506449 (RSIR) 513516241 (CSIR)	13554420	START - 513556533	PD4	WD4
30-FF10BX	FF10BX1	1/4+	115	L/M/HBP	915	3,200	-	AE4430A-AA1A	-	30-FF10BX	NORMAL	CSIR	32.0	513506455	13554439	START - 513556529	PD4	WD4
30-FF11.5BK1	FF11.5BK	1/3	115	L/M/HBP	1,130	4,000	-	AE4440A-AA1A	-	30-FF11.5BK1	NORMAL	RSIR/CSIR	40.0	513506260 (RSIR) 513506279 (CSIR)	13554277	START - 513556533	PD4	WD4
30-FF11.5BK1-CAP	FF11.5BK	1/3	115	L/M/HBP	1,130	4,000	-	-	-	30-FF11.5BK1-CAP	NORMAL	RSIR/CSIR	40.0	513506260 (RSIR) 513506279 (CSIR)	13554277	START - 513556533	PD4	WD4
30-FF12BX	FF12BK, FF12BKW, FF12BX1	1/3+	115	L/M/HBP	1,350	5,000	-	AE4440A-AA1A	-	30-FF12BX	HIGH	CSIR	43.0	513506511	513554412	START - 513556535	PD4	WD4

Checkpoint Temperatures

	LBP	HBP32	HBP46
Evaporator	-10°F	45°F	45°F
Condenser	130°F	130°F	130°F
Liquid (entering expansion valve)	90°F	90°F	115°F
Ambient	90°F	90°F	95°F
Suction	90°F	90°F	95°F



R134A, R450A, R513A Compressors

Performance Specifications										Electrical Specifications									
Item ID	Old Item ID	Nominal HP	Volts	Application	Capacity BTU/H - ASHRAE			Replacement Guide		Item ID	Start Torque	Motor Type	LRA	Relay	Overload	Capacitor	Diagrams		
					L/MBP	HBP32	HBP46	Tecumseh	Danfoss								Physical	Wiring	
30-EM20HHR1	EM20HHR	1/12	115	L/M/HBP	200	1,020	-	-	-	30-EM20HHR1	LOW	RSIR	9.0	513514024	513634700	N/A	PD1	WD1	
30-EMIS30HHR1	EM30HHR, EM130HER, EMU30HSC EMIS30HHR	1/10	115	L/M/HBP	340	1,480	-	AZA0370YXA	TF3.5F TL4G TFS4F	30-EMIS30HHR1	NORMAL	RSIR/CSIR	16.0	513504263 (RSIR) 513504271 (CSIR)	13554064	START - 513556549	PD1	WD1	
30-EMIS30HHR2	-	1/10	220/240	L/M/HBP	340	1,480	-	-	-	30-EMIS30HHR2	NORMAL	RSIR	N/A	213514016	N/A	N/A	PD1	WD1	
30-EM45HHR	EMI40HNR, EM45HNR, EMI45HER, EM45HHR	1/8	115	L/M/HBP	420	1,775	1,523	AZA0395YXA	-	30-EM45HHR	NORMAL	RSIR/CSIR	17.0	513515292	513634475	START - 513556521	PD1	WD1	
30-EMI55HER	EMI50HER, EM55HNX, EMI55HER	1/6	115	LBP	510	-	-	-	TFS4.5FT TLS4.5F	30-EMI55HER	NORMAL	CSIR	16.5	513515292	513634548	START - 513556561	PD1	WD1	
30-EMI55HHR1	EM55HHR	1/6	115	HBP	-	2,150	1,837	-	-	30-EMI55HHR1	NORMAL	RSIR	16.5	513514069	513634530	N/A	PD1	WD1	
30-EMI60HER	EMI60HER	1/6	115	LBP	570	-	-	-	-	30-EMI60HER	NORMAL	RSIR	20.9	513514083	513504690	N/A	PD1	WD1	
30-FF7.5HBK	EMI60HER, FF6HBK, EME60HER, EM65HHC, EM65HN, EGY70HLP FF7.5HBK	1/5+	115	L/M/HBP	630	2,760	-	AEA1360YXA	-	30-FF7.5HBK	NORMAL	RSIR/CSIR	25.0	513516134	513554714	N/A	PD4	WD4	
30-EMIS70HHR1	EM65HHC, EM65HHR, EM65HNR, EMI70HER, EMI70HNR, EMIS70HHR	1/5	115	L/M/HBP	700	2,870	2,581	-	-	30-EMIS70HHR1	NORMAL	RSIR/CSIR	28.2	513514069 (RELAY) 513515250 (RELAY-CAP)	513634015	START - 513556005	PD1	WD1	
30-FF8.5HBK	FF8.5HBK	1/4	115	L/M/HBP	740	3,135	2,833	AE3425Y-AA1A AEA3425YXA	-	30-FF8.5HBK	NORMAL	RSIR/CSIR	34.5	513506244 (RSIR) 513506252 (CSIR)	513554000	START - 513556529	PD4	WD4	
30-EM2Z80HLT1	EM2Z80HLT	1/4	115	LBP	815	-	-	-	-	30-EM2Z80HLT1	LOW	RSCR	17.6	513605003	TSD	START - N/A RUN - US-24156	PD1	TSD	
30-FF10HBK1	FF10HBK	1/4+	115	L/M/HBP	840	3,530	-	-	-	30-FF10HBK1	NORMAL	RSIR/CSIR	40.0	513516185	513554447	START - 513556533	PD4	WD4	
30-FF10HBX	FF10HBX	1/4+	115	L/M/HBP	840	3,650	-	-	NF7FX NF7.3FX.2 NF9FX	30-FF10HBX	HIGH	CSIR	35.0	513506009	13554609	START - 513556529	PD4	WD4	
59-NE2121Z1	NE2121Z	1/4	115	LBP	950	-	-	-	NF9FX	59-NE2121Z1	HIGH	CSIR	29.0	2283001	2321018	START - 2252230	PD3	WD3	

Checkpoint Temperatures

	LBP	HBP32	HBP46
Evaporator	-10°F	45°F	45°F
Condenser	130°F	130°F	130°F
Liquid (entering expansion valve)	90°F	90°F	115°F
Ambient	90°F	90°F	95°F
Suction	90°F	90°F	95°F



NE Style

EM/EMI Style

FF/FFC/FFI Style

R134A, R450A, R513A Compressors

Performance Specifications										Electrical Specifications									
Item ID	Old Item ID	Nominal HP	Volts	Application	Capacity BTU/H - ASHRAE			Replacement Guide		Item ID	Start Torque	Motor Type	LRA	Relay	Overload	Capacitor	Diagrams		
					L/MBP	HBP32	HBP46	Tecumseh	Danfoss								Physical	Wiring	
30-FF10HBX	EGU90HLC, FFU100HAK, FF10HBX	1/3	115	L/M/HBP	1,065	4,400	-	-	NF10FX	30-FF10HBX	HIGH	CSIR	35.0	513506009	13554609	START - 513556529	PD4	WD4	
30-FF12HBX	FF12HBX	1/3+	115	L/M/HBP	1,190	5,300	4,600	AE3440Y-AA1A AEA3440YXA	SC15G	30-FF12HBX	HIGH	CSIR	43.0	513516053	513554095	START - 513556535	PD4	WD4	
30-FFU80HAX1	-	1/4	115	L/MBP	828	-	-	-	-	30-FFU80HAX1	HIGH	CSIR	26.7	213516094	N/A	N/A	PD3	N/A	
30-FFUS100HAX1	FFUS100HAX1, FFU100HAK1, FFUS100HAK1	1/3	115	L/MBP	1,004	-	-	-	-	30-FFUS100HAX1	LOW/HIGH	CSIR	26.7	513516191	513554006	START - 513556595	PD3	N/A	
30-FFUS100HAK2	-	1/3	220/240	L/MBP	1,006	-	-	-	-	30-FFUS100HAK2	LOW	RSIR/CSIR	26.7	213516442	N/A	N/A	PD3	N/A	
30-FFU130HAX1	FFU130HAX	1/3+	115	L/MBP	1,250	-	-	-	-	30-FFU130HAX1	HIGH	CSIR	40.3	513516053	513554617	START - 513556535	PD4	WD4	
30-FFU160HAX1	-	1/2	115	L/MBP	1,516	-	-	-	-	30-FFU160HAX1	LOW/HIGH	CSIR	26.7	513516053	51351605	START - 513556535			
59-NE2130Z1	NE2130Z	1/3	115	LBP	1,252	-	-	AE2413Y-AA1B AEA2413YXA	-	59-NE2130Z1	HIGH	CSIR	38.0	2271016	2324059	START - 2252282	PD3	WD3	
59-NE2134Z1	NE2134Z	1/2	115	LBP	1,450	-	-	AE4450Y-AA1A	SC18G	59-NE2134Z1	HIGH	CSIR	33.0	2271011	2324063	START - 2252320	PD3	WD3	
59-NT2134Z1	T2134Z	1/2	115	LBP	1,278	-	-	-	-	59-NT2134Z1	HIGH	CSIR	33.7	2271146	2324118	START - 2252369	PD2	WD3	
59-NEU2140Z1	-	1/2	115	LBP	1,748	-	-	-	-	59-NEU2140Z1	HIGH	CSIR		2271157	2324126	START - 2252324	PD3	PD3	
59-NEK2140Z1	NEK2140Z	1/2	115	LBP	1,706	-	-	-	-	59-NEK2140Z1	HIGH	CSIR	40.0	2271053	2324092	START - 2252324	PD3	WD3	
59-NEK6132Z1	NB5132Z, NB6132Z, NEK6132Z	1/6	115	M/HBP	-	-	1,762	-	-	59-NEK6132Z1	HIGH	CSIR	26.0	2271141	2324115	START - 2252282	PD3	WD3	
59-NEK6144Z1	NB5144Z, NB6144Z, NEK6144Z	1/6+	115	M/HBP	-	-	2,183	-	-	59-NEK6144Z1	MEDIUM-HIGH	CSIR	26.0	2271141	2324145	START - 2252282	PD3	WD3	
59-NEK6160Z1	NE5160Z, NE6160Z, NEK6160Z	1/4	115	M/HBP	-	-	2,884	-	-	59-NEK6160Z1	HIGH	CSIR	26.0	2271126	2324063	START - 2252318	PD3	WD3	
59-NEK6160Z2	-	1/2	208-230	HBP	1,569	-	2,884	-	-	59-NEK6160Z2	HIGH	CSIR	N/A	N/A	N/A	N/A	PD1	N/A	
59-NEK6170Z1	NE6170Z, NE5170Z, NEK6170Z	1/4	115	M/HBP	-	3,780	3,336	AE4430Y-AA1A AEA4430YXA AE3430Y-AA1A AEA3430YXA	-	59-NEK6170Z1	HIGH	CSIR	28.5	2271126	2324055	START - 2252318	PD3	WD3	
59-NEK6187Z1	-	1/3+	115	HBP	-	-	3,830	-	-	59-NEK6187Z1	HIGH	CSIR	37.0	2271011	2324093	START - 2252320	PD3	WD3	
30-NEU6187Z1	NEK6187Z, NE6187Z, NE5187Z	1/3+	115	M/HBP	-	-	4,133	-	-	30-NEU6187Z1	HIGH	CSIR	39.0	2271116	2324120	START - 2252324	PD3	WD3	
59-NEK6210Z1	NEK6210Z, NE6210Z	1/3+	115	M/HBP	-	-	4,524	AE4440Y-AA1A AEA4440YXA	SC12G	59-NEK6210Z1	HIGH	CSIR	37.0	2283012	2321020	START - 2252289	PD3	WD3	
59-NEK6212Z1	NE6210Z1	1/2	115	HBP	-	-	5,178	-	SC15G	59-NEK6212Z1	HIGH	CSIR	44.0	2271016	2324108	START - 2252324	PD3	WD3	

Checkpoint Temperatures

	LBP	HBP32	HBP46
Evaporator	-10°F	45°F	45°F
Condenser	130°F	130°F	130°F
Liquid (entering expansion valve)	90°F	90°F	115°F
Ambient	90°F	90°F	95°F
Suction	90°F	90°F	95°F



NE Style

NEK Style

NT/NTU Style

EM/EMI Style

FF/FFC/FFI Style

R134A, R450A, R513A Compressors

Performance Specifications										Electrical Specifications									
Item ID	Old Item ID	Nominal HP	Volts	Application	Capacity BTU/H - ASHRAE			Replacement Guide		Item ID	Start Torque	Motor Type	LRA	Relay	Overload	Capacitor	Diagrams		
					L/MBP	HBP32	HBP46	Tecumseh	Danfoss								Physical	Wiring	
59-NEU6212Z1	NEK6212Z, NEU6212Z	1/2	115	M/HBP	-	-	5,675	-	-	59-NEU6212Z1	HIGH	CSIR	40.0	2271116	2324007	START - 2252324	PD3	WD3	
59-NEU6214Z1		1/2	115	M/HBP	3,911		6,429	-	-	59-NEU6214Z1	HIGH	CSCR	N/A	2271159-ESP	2324083-ESP	START - 2252324-ESP	PD2	WD7	
59-NEK6214Z1	NEK6214Z	3/4-	115	M/HBP	-	-	5,960	-	SC18G	59-NEK6214Z1	HIGH	CSCR	48.0	1253050	2321125	START - 2252331 RUN - 2253315	PD3	WD7	
59-NEK6214Z2	NEK6214Z, NEU6214Z2	3/4	208-230	M/HBP	-	6,769	5,960	-	-	59-NEK6214Z2	HIGH	CSCR	N/A	1253009	2321091	START - 2252261 RUN - 2253320	PD3	WD7	
59-NT6215Z1	T6213Z1, T6215Z1, NT6215Z	1/2+	115	M/HBP	-	-	6,626	-	-	59-NT6215Z1	HIGH	CSIR	44.0	2271016	2324074	START - 2252356	PD2	WD3	
59-NT6215Z2	T6213Z2, T6215Z2	1/2+	208-230	M/HBP	-	-	6,400	-	-	59-NT6215Z2	HIGH	CSIR	55.0	2271051	2324142	START - 2252365	PD2	WD3	
59-NT6217Z1	T6217Z1, NT6217Z	3/4+	115	M/HBP	-	-	7,460	AKA4460YXA	-	59-NT6217Z1	HIGH	CSIR/CSCR	48.8	1253016	2321114	START - 2252331 RUN - 2253315	PD2	WD7	
59-NT6217Z2	T6217Z2, NT6217Z	3/4+	208-230	M/HBP	-	-	7,579	-	-	59-NT6217Z2	HIGH	CSIR	31.0	2271137	2324103	START - 2252365	PD2	WD3	
59-NT6220Z1	T6220Z1	1	115	M/HBP	-	-	8,414	AKA4476YXA	-	59-NT6220Z1	HIGH	CSR	54.5	1253050	2295004	START - 2252273 RUN - 2253315	PD2	WD7	
59-NT6220Z2	T6220Z2	1	208-230	M/HBP	-	-	8,351	-	-	59-NT6220Z2	HIGH	CSIR	33.7	2271041	2324085	START - 2252364	PD2	WD3	
59-NJ6220Z1	NJ6220Z, J6220Z1	1	115	M/HBP	-	-	10,169	-	-	59-NJ6220Z1	HIGH	CSIR	72.0	1253017	2297010	START - 2252300	PD5	WD7	
59-NJ6220Z2	J6220Z2	1	208-230	M/HBP	-	-	10,169	-	-	59-NJ6220Z2	HIGH	CSIR	42.0	2302003	2289031	START - 2252265	PD5	WD5	
59-NJ6220ZX	-	1	460	M/HBP	-	-	10,169	-	-	59-NJ6220ZX	HIGH	3-P	10.5	N/A	INTERNAL	N/A	PD5	WD6	
59-NJ6226Z2	J6226Z	1 1/4	208-230	M/HBP	-	-	11,130	-	-	59-NJ6226Z2	HIGH	CSR	41.0	1253026	INTERNAL	START - 2252270 RUN - 2253311	PD5	WD8	
59-NJ6226ZX	-	1+	460	M/HBP	-	-	11,882	-	-	59-NJ6226ZX	HIGH	3-P	13.0	N/A	INTERNAL	N/A	PD5	WD6	

Checkpoint Temperatures

	LBP	HBP32	HBP46
Evaporator	-10°F	45°F	45°F
Condenser	130°F	130°F	130°F
Liquid (entering expansion valve)	90°F	90°F	115°F
Ambient	90°F	90°F	95°F
Suction	90°F	90°F	95°F



R404A, R448A, R449A, R452A Compressors

Performance Specifications										Electrical Specifications									
Item ID	Old Item ID	Nominal HP	Volts	Application	Capacity BTU/H - ASHRAE			Replacement Guide		Item ID	Start Torque	Motor Type	LRA	Relay	Overload	Capacitor	Diagrams		
					L/MBP	HBP32	HBP46	Tecumseh	Danfoss								Physical	Wiring	
59-NEK2121GK1	NEK212GK, NE2125GK	1/3	115	LBP	1,212	-	-	AE2410Z-AA1A AEA2380ZXA	-	59-NEK2121GK1	HIGH	CSIR	26.5	2283055	2321153	START - 2252230	PD3	WD3	
59-NEK2125GK1	NE2125GK1 NEK2125GK	1/3+	115	LBP	1,458	-	-	AE241SZ-AA1A AEA2411ZXA	NF5.5CLX SC10CL	59-NEK2125GK1	HIGH	CSIR	26.5	2271126	2324055	START - 2252318	PD3	WD3	
59-NEK2134GK1	NE2134GK, NEK2134GK	1/2	115	LBP	1,948	-	-	-	SC12CL	59-NEK2134GK1	HIGH	CSIR	37.5	2283012	2321086	START - 2252335	PD3	WD3	
59-NEK2134GK2	NE2134GK2	1/2	208-230	LBP	1,858	-	-	-	-	59-NEK2134GK2	HIGH	CSIR	20.0	2271121	2324009	START - 2252325	PD3	WD3	
59-NEU2140GK1	-	1/2	115	LBP	1,925	-	-	-	-	59-NEU2140GK1	HIGH	CSCR	N/A	2271156-ESP	2324059-ESP	START - 2252324-ESP	PD1	WD3	
59-NEK2150GK1	NEK2150GK	1/2+	115	LBP	2,493	-	-	-	SC12CLX.2	59-NEK2150GK1	HIGH	CSIR	41.5	2271016	2324069	START - 2252320	PD3	WD3	
59-NEK2150GK2	-	1/2+	208-230	LBP	2,361	-	-	-	-	59-NEK2150GK2	HIGH	CSIR	22.0	2283060	2321105	START - 2252220	PD3	WD3	
59-NEK2168GK1	NEK2168GK	3/4	115	LBP	2,592	-	-	-	-	59-NEK2168GK1	HIGH	CSR	46.0	1253067	2321130	START - 2252331 RUN - 2253314	PD3	WD7	
59-NT2168GKV1	T2155GK, T2168GK, NT2168GK, NT2168GKV	3/4	115	LBP	2,628	-	-	-	-	59-NT2168GKV1	HIGH	CSCR	54.5	1253050	2291048	START 2252273 RUN 2253315	PD2	WD7	
59-NT2168GKV2	-	3/4	208-230	LBP	2,694	-	-	-	-	59-NT2168GKV2	HIGH	CSCR	29.0	1253024	2321012	START - 2252270 RUN - 2253316	PD2	WD7	
59-NT2180GKV1	T2180GK, T2178GK, NT2178GK, NT218GKV	1	115	LBP	3,962	-	-	-	SC18CLX.2	59-NT2180GKV1	HIGH	CSR	66.0	1253050	INTERNAL	START - 2252331 RUN - 2253315	PD2	WD8	
59-NT2180GKV2	T2178GK2	1	208-230	LBP	3,962	-	-	-	-	59-NT2180GKV2	HIGH	CSR	40.0	1253010	2321091	START - 2252274 RUN - 2253316	PD2	WD7	
59-NT2192GKV1	NT2192GKV	1 1/4	115	LBP	3,219	-	-	-	-	59-NT2192GKV1	HIGH	CSCR	56.0	1253001	2295004	START - 2252273 RUN - 2253315	PD2	WD7	
59-NT2192GKV2	-	1	208-230	LBP	3,246	-	-	-	-	59-NT2192GKV2	HIGH	CSR	40.0	1253026	2321091	START - 2252269 RUN - 2253310	PD2	WD7	
59-NJ2192GK1	-	1 1/4	115	LBP	4,500	-	-	-	-	59-NJ2192GK1	HIGH	CSCR	98.0	1253001	INTERNAL	START - 2252317 RUN - 2253312	PD5	WD7	
59-NJ2192GK2	-	1 1/4	208-230	LBP	4,500	-	-	-	-	59-NJ2192GK2	HIGH	CSCR	N/A	1253010-ESP	INTERNAL	START - 2252269-ESP RUN - 2253312-ESP	PD5	WD7	
59-NJ2192GJ2	-	1 1/4	208-230	LBP	4,775	-	-	-	-	59-NJ2192GJ2	HIGH	CSR	44.0	1253003	INTERNAL	START - 2252269 RUN - 2253311	PD5	WD8	
59-NT2212GKV1	NT2212GKV	1 1/2	115	LBP	5,710	-	-	-	-	59-NT2212GKV1	HIGH	CSCR	93.0	1253065	INTERNAL	START - 2252374 RUN - 2253321	PD2	WD7	
59-NT2212GKV2	-	1 1/2	208-230	LBP	5,710	-	-	-	-	59-NT2212GKV2	HIGH	CSCR	45.0	1253019	INTERNAL	START - 2252274 RUN - 2253313	PD2	WD7	
59-NJ2212GK1	NJ2212GK	1 1/2	115	LBP	5,444	-	-	-	-	59-NJ2212GK1	HIGH	CSR	90.0	1253001	INTERNAL	START - 2252317 RUN - 2253312	PD5	WD7	

Checkpoint Temperatures

	LBP	HBP32	HBP46
Evaporator	-10°F	45°F	45°F
Condenser	130°F	130°F	130°F
Liquid (entering expansion valve)	90°F	90°F	115°F
Ambient	90°F	90°F	95°F
Suction	90°F	90°F	95°F



R404A, R448A, R449A, R452A Compressors

Performance Specifications										Electrical Specifications									
Item ID	Old Item ID	Nominal HP	Volts	Application	Capacity BTU/H - ASHRAE			Replacement Guide		Item ID	Start Torque	Motor Type	LRA	Relay	Overload	Capacitor	Diagrams		
					L/MBP	HBP32	HBP46	Tecumseh	Danfoss								Physical	Wiring	
59-NJ2212GJ2	NJ2212GK2	1 1/2	208-230	LBP	6,309	-	-	-	-	59-NJ2212GJ2	HIGH	CSR	54.0	1253010	INTERNAL	START - 2252274 RUN - 2253312	PD5	WD8	
59-NEK6181GK1	-	1/3+	115	MBP	-	-	4,255	AE4440Z-AA1A AEA9422ZXA	NF7CLX	59-NEK6181GK1	HIGH	CSIR	26.5	2271126	2324055	START - 2252282	PD3	WD3	
59-NEK6181GK2	-	1/3+	208-230	MBP	-	-	4,404	-	-	59-NEK6181GK2	HIGH	CSIR	17.5	2271110	2324009	START - 2252325	PD3	WD3	
59-NEK6210GK1	NE6210GK	1/2	115	MBP	-	-	5,355	-	SC10CL	59-NEK6210GK1	HIGH	CSIR	38.0	2271128	2324025	START - 2252320	PD3	WD3	
59-NEK6210GK2	-	1/2	208-230	MBP	-	-	5,254	-	-	59-NEK6210GK2	HIGH	CSIR	23.0	2271127	2324105	START - 2252372	PD3	WD3	
59-NEU6212GK1	-	1/2	115	MBP	-	-	5,791	-	-	59-NEU6212GK1	HIGH	CSCR	N/A				PD1	WD7	
59-NEK6213GK1	NE9213GK	1/2+	115	M/HBP	-	-	6,660	-	-	59-NEK6213GK1	HIGH	CSIR	57.0	2271016	2324083	START - 2252320	PD3	WD3	
59-NEK6213GK2	-	1/2+	208-230	M/HBP	-	-	6,946	-	-	59-NEK6213GK2	HIGH	CSIR	30.0	2271128	2324063	START - 2252325	PD3	WD3	
59-NEU6215GK1	-	3/4	115	MBP	-	-	4,427	-	-	59-NEU6215GK1	HIGH	CSIR	N/A	2271164-ESP	2324106-ESP	START - 2252377-ESP	PD3	WD3	
59-NEU6215GK2	-	3/4	208-230	MBP	-	-	4,427	-	-	59-NEU6215GK2	HIGH	CSIR	N/A	2271156-ESP	2324003-ESP	START - 2252382-ESP	PD3	WD3	
59-NEU6220GK1	-	3/4	115	MBP	-	-	5,143	-	-	59-NEU6220GK1	HIGH	CSCR	N/A	1253067-ESP	2321158-ESP	START - 2252331-ESP RUN - 2253313-ESP	PD3	WD7	
59-NEU6220GK2	-	3/4	208-230	MBP	-	-	5,143	-	-	59-NEU6220GK2	HIGH	CSCR	N/A	1253027-ESP	2321070-ESP	START - 2252271-ESP RUN - 2253310-ESP	PD3	WD7	
59-NT6217GKV1	NT6217GKV, NT6217GK, T6217GK	3/4	115	MBP	-	-	7,380	-	SC12MLX	59-NT6217GKV1	HIGH	CSIR	50.0	2271046	2324004	START - 2252377	PD2	WD3	
59-NT6217GKV2	NEK6213GK2, NE9213GK2, NT6217GK2, T6217GK2	3/4	208-230	MBP	-	-	7,332	-	-	59-NT6217GKV2	HIGH	CSIR	27.0	2283055	2321128	START - 2252327	PD2	WD3	
59-NT6220GKV1	NT9220GKV, NT6220GK, T6220GK	3/4	115	M/HBP	-	-	8,760	-	SC15MLX SC15MLX.2	59-NT6220GKV1	HIGH	CSR	54.5	1253050	2291055	START - 2252331 RUN - 2253315	PD2	WD7	
59-NT6220GKV2	NT6220GK2	3/4	208-230	M/HBP	-	-	8,464	-	-	59-NT6220GKV2	HIGH	CSR	26.5	1253015	2321091	START - 2252270 RUN - 2253310	PD2	WD7	
59-NT6222GKV1	NT6222SKV, NT6220GK1, T6222GK1	1	115	M/HBP MBP	-	-	10,376	-	SC18MLX	59-NT6222GKV1	HIGH	CSCR CSR	70.0	1253050	INTERNAL	START - 2252331 RUN - 2253315	PD2	WD7 WD8	
59-NT6222GKV2	T6220GK2, NT6222GK2	1	208-230	M/HBP	-	-	9,992	-	-	59-NT6222GKV2	HIGH	CSCR	33.7	1253015	2321018	START - 2252269 RUN - 2253310	PD2	WD7	
59-NT6224GKV1	NT6224GKV, T6222GK1	1	115	M/HBP	-	-	12,326	-	-	59-NT6224GKV1	HIGH	CSCR	77.0	1253028	INTERNAL	START - 2252343 RUN - 2253307	PD2	WD7	
59-NT6224GKV2	T6222GK2	1	208-230	M/HBP	-	-	11,984	-	-	59-NT6224GKV2	HIGH	CSCR	36.0	1253019	2321132	START - 2252270 RUN - 225331	PD2	WD7	
59-NJ9226GK2	NJ9226GK	1+	208-230	MBP	7,300	-	-	-	-	59-NJ9226GK2	HIGH	CSR	34.0	1253027	2289017	START - 2252269 RUN - 2253312	PD5	WD7	
59-NJ9226GS5	NJ9226GS	1+	460-3P	MBP	7,723	-	-	-	-	59-NJ9226GS5	HIGH	3P	N/A	N/A	INTERNAL	N/A	PD5	WD6	

Checkpoint Temperatures

	LBP	HBP32	HBP46
Evaporator	-10°F	45°F	45°F
Condenser	130°F	130°F	130°F
Liquid (entering expansion valve)	90°F	90°F	115°F
Ambient	90°F	90°F	95°F
Suction	90°F	90°F	95°F



NEK Style

NT/NTU Style

NJ Style

R404A, R448A, R449A, R452A Compressors

Performance Specifications										Electrical Specifications									
Item ID	Old Item ID	Nominal HP	Volts	Application	Capacity BTU/H - ASHRAE			Replacement Guide		Item ID	Start Torque	Motor Type	LRA	Relay	Overload	Capacitor	Diagrams		
					L/MBP	HBP32	HBP46	Tecumseh	Danfoss								Physical	Wiring	
59-NT6226GKV1	NT6226GK1	1+	115	M/HBP	-	-	13,254	-	-	59-NT6226GKV1	HIGH	CSCR	77.0	1253028	INTERNAL	START - 2252343 RUN - 2253307	PD2	WD7	
59-NT6226GKV2	NT6226GK2	1+	208-230	MBP	7,675	-	-	-	-	59-NT6226GKV2	HIGH	CSR	43.0	1253026	2291048	START - 2252270 RUN - 2253312	PD2	WD7	
59-NTU6232GKV2	NTU6226GKV	1+	208-230	MBP	8,650	-	-	-	-	59-NTU6232GKV2	HIGH	CSCR	46.0	1253015	INTERNAL	START - 2252271 RUN - 2253313	PD2	WD7	
59-NTU6234GKV2	NTU6234GKV	1 1/4	208-230	MBP	10,397	-	-	-	-	59-NTU6234GKV2	HIGH	CSCR	46.0	1253015	INTERNAL	START - 2252271 RUN - 2253314	PD2	WD7	
59-NJ9232GK2	NJ9232GK	1 1/4	208-230	MBP	9,066	-	-	-	-	59-NJ9232GK2	HIGH	CSR	47.0	1253010	INTERNAL	START - 2252069 RUN - 2253312	PD5	WD8	
59-NJ9232GS	-	1 1/4	460-3P	MBP	9,158	-	-	-	-	59-NJ9232GS	HIGH	3P	N/A	N/A	INTERNAL	N/A	PD5	WD6	
59-NJ9238GK2	-	1 1/2	230	MBP	10,743	-	-	-	-	59-NJ9238GK2	HIGH	CSR	59.0	1253015	2297024	START - 2252274 RUN - 2253314	PD5	WD7	
59-NTU6238GKV2	NJ9238GK2	1 1/2	208-230	MBP	11,432	-	-	-	-	59-NTU6238GKV2	HIGH	CSCR	51.0	1253015	INTERNAL	START - 2252271 RUN - 2253314	PD2	WD7	
59-NJ9238GS	NJ9238GS5	1 1/2	460-3P	MBP	11,324	-	-	-	-	59-NJ9238GS	HIGH	3P	N/A	N/A	INTERNAL	N/A	PD5	WD6	
59-NTU6240GKV2	NTU6240GKV	1 1/2	208-230	MBP	11,8100	-	-	-	-	59-NTU6240GKV2	HIGH	CSCR	51.0	1253015	INTERNAL	START - 2252271 RUN - 2253314	PD2	WD7	

Checkpoint Temperatures

	LBP	HBP32	HBP46
Evaporator	-10°F	45°F	45°F
Condenser	130°F	130°F	130°F
Liquid (entering expansion valve)	90°F	90°F	115°F
Ambient	90°F	90°F	95°F
Suction	90°F	90°F	95°F



R290 Compressors

Performance Specifications										Electrical Specifications									
Item ID	Old Item ID	Nominal HP	Volts	Application	Capacity BTU/H - ASHRAE			Replacement Guide		Item ID	Start Torque	Motor Type	LRA	Relay	Overload	Capacitor	Diagrams		
					L/MBP	HBP32	HBP46	Tecumseh	Danfoss								Physical	Wiring	
30-EMI50UER		1/6	115	L/MBP	522	1,211	-	-	-	30-EMI50UER	LOW	RSIR/CSIR	12.7	513515003	513634331	START - 513556521	PD1	WD1	
30-EMI70UER1	-	1/5+	115	L/MBP	699	1,538	-	-	-	30-EMI70UER1	NORMAL	CSIR	19.6	513515250	513554323	START - 513556521	PD1	WD1	
30-EMX3115U1	-	1/5	115	L/MBP	756	1546	-	-	-	30-EMX3115U1	LOW	RSCR	11.45	513650019	513634572	START - N/A RUN - 513556246	PD1	WD2	
30-EMI90UEX1	-	1/4+	115	L/MBP	947	1,926	-	-	-	30-EMI90UEX1	HIGH	CSIR	23.0	513515293	513554311	START - 513556538	PD1	WD1	
30-EMC3121U1	-	1/4	115	L/MBP	1,002	2,200	-	-	-	30-EMC3121U1	LOW	RSCR	14.9	513650019	513634455	START - N/A RUN - 513556246	PD1	WD2	
30-EM2X3121U1	-	1/4+	115	L/MBP	1,093	2,172	-	-	-	30-EM2X3121U1	LOW	RSCR	15.9	513650144	513634455	START - N/A RUN - 513556247	PD1	WD2	
30-EMC3125U1	-	1/4	115	L/MBP	1,177	2,511	-	-	-	30-EMC3125U1	LOW	RSCR	18.4	513650019	513634220	START - N/A RUN - 513556246	PD1	WD2	
30-EM2X3125U	-	1/4+	115	L/MBP	1,231	2,163	-	-	-	30-EM2X3125U	LOW	RSCR	16.8	513650019	513634132	START - 513556247	PD 1	WD2	
30-FFU130UAX	-	1/3+	115	L/MBP	1,358	2,447	-	-	-	30-FFU130UAX	HIGH	CSIR	39.0	513516053	513554006	START - 513556535	PD4	WD4	
30-FFU160UAX	-	1/2	115	L/MBP	1,718	2,969	-	-	-	30-FFU160UAX	HIGH	CSIR	41.5	513516053	513554025	START - 513556535	PD4	WD4	
30-NEU2155U1	-	1/2	115	LBP	2,586	-	-	-	-	30-NEU2155U1	HIGH	CSIR	40.0	2271157	2324124	START - 2252324	PD3	WD3	
30-NEU2168U1	-	3/4	115	LBP	3,241	-	-	-	-	30-NEU2168U1	HIGH	CSR	49.0	1253069	2321081	START - 2252300 RUN - 2253314	PD3	WD7	
30-NEU2168U2	-	3/4	208-230	LBP	3,183	-	-	-	-	30-NEU2168U2	HIGH	CSR	30.0	1253019	2321012	START - 2252269 RUN - 2253316	PD3	WD7	
30-NT2170UV1	-	3/4	115	LBP	3,315	-	-	-	-	30-NT2170UV1	HIGH	CSCR	N/A	1253001-ESP	2289020-ESP	START - 2252331-ESP RUN - 2253315-ESP	PD2	WD7	
30-NT2180UV1	-	1	115	LBP	3,577	-	-	-	-	30-NT2180UV1	HIGH	CSCR	N/A	1253001-ESP	2289038-ESP	START - 2252331-ESP RUN - 2253312-ESP	PD2	WD8	
30-NT2180UV2	-	1	208-230	LBP	3,577	-	-	-	-	30-NT2180UV2	HIGH	CSR	30.0	1253012	INTERNAL	START - 2252291 RUN - 2253318	PD2	WD8	
59-NT2210UV1	-	1 1/4	115	LBP	4,514	-	-	-	-	59-NT2210UV1	HIGH	CSR	67.0	1253065	INTERNAL	START - 2252374 RUN - 2253313	PD2	WD8	
59-NT2210UV2	-	1 1/4	208-230	LBP	4,514	-	-	-	-	59-NT2210UV2	HIGH	CSR	37.0	1253024	INTERNAL	START - 2252269 RUN - 2253311	PD2	WD8	

Checkpoint Temperatures

	LBP	HBP32	HBP46
Evaporator	-10°F	45°F	45°F
Condenser	130°F	130°F	130°F
Liquid (entering expansion valve)	90°F	90°F	115°F
Ambient	90°F	90°F	95°F
Suction	90°F	90°F	95°F



NE Style

NT/NTU Style

EM/EMI Style

FF/FFC/FFI Style

R290 Compressors

Performance Specifications										Electrical Specifications									
Item ID	Old Item ID	Nominal HP	Volts	Application	Capacity BTU/H - ASHRAE			Replacement Guide		Item ID	Start Torque	Motor Type	LRA	Relay	Overload	Capacitor	Diagrams		
					L/MBP	HBP32	HBP46	Tecumseh	Danfoss								Physical	Wiring	
30-NEU6214U1	-	3/4	115	MBP	4,200	-	-	-	-	30-NEU6214U1	HIGH	CSIR	46.0	2271116	2324007	START - 2252380-ESP	PD3	WD3	
30-NEU6214U2	-	3/4	208-230	MBP	4,160	-	-	-	-	30-NEU6214U2	HIGH	CSIR	23.0	2271110	2324146	START - 2252354-ESP	PD3	WD3	
59-NEU6217U1	-	3/4	115	MBP	5,190	-	-	-	-	59-NEU6217U1	HIGH	CSR	45.0	1253069	2321081	START - 2252331-ESP Run - 2253314-ESP	PD3	WD7	
59-NEU6217U2	-	3/4	208-230	MBP	4,989	-	-	-	-	59-NEU6217U2	HIGH	CSR	29.0	1253027	2321153	START - 2252271-ESP RUN - 2253318-ESP	PD3	WD7	
30-NEU6181U1	-	1/3	115	MBP	2,465	-	-	-	-	30-NEU6181U1	HIGH	CSIR	30.0	2271156	2324110	START - 2252324-ESP	PD3	WD3	
30-NEK6210U1	-	1 1/3	115	MBP	1981	-	-	-	-	30-NEK6210U1	HIGH	CSIR	37.0	N/A	N/A	START - 2252324	PD3	WD3	
30-NEK6213U1	-	1 1/4	115	MBP	3538	-	-	-	-	30-NEK6213U1	HIGH	CSIR	44.0	N/A	N/A	N/A	PD3	WD3	
30-EMC3130U1	-	1/3	115	LBP	1,426	-	-	-	-	30-EMC3130U1	LOW	RSCR	N/A	513650019-ESP	N/A	START - N/A RUN - 513556247-ESP	PD1	WD2	
30-EMC3134U1	-	1/2	115	LBP	1,692	-	-	-	-	30-EMC3134U1	LOW	RSCR	22.4	513650019-ESP	N/A	START - N/A RUN - 513556247-ESP	PD1	WD2	
30-EMC3140U1	-	1/2	115	LBP	1,991	-	-	-	-	30-EMC3140U1	LOW	RSCR	26.5	513650019-ESP	N/A	START - N/A RUN - 513556247-ESP	PD1	WD2	

Checkpoint Temperatures

	LBP	HBP32	HBP46
Evaporator	-10°F	45°F	45°F
Condenser	130°F	130°F	130°F
Liquid (entering expansion valve)	90°F	90°F	115°F
Ambient	90°F	90°F	95°F
Suction	90°F	90°F	95°F



NE Style

EM/EMI Style

Benchmark H22A Series R22, R407C Compressors

Specifications												Specifications															
				@45/130				@45/100								Electrical Start Components				Diagrams							
				Capacity		Input Watts	EER/COP		Capacity	Motor Input Watts	EER/	Electrical Data			Displacement	Oil Charge		Run Cap	Start Cap	G.E.	A		B		C		
Model	Volts	Phase	Hertz	BTU/H	WATT		BTU/WH	W/W	BTU/H			BTU/H	BTU/WH	RLA	LRA	MCC	IN3/REV	CM3/REV	OZ	L	MFD/VOLTS	MFD/VOLTS	Relay	IN	MM	IN	MM
H22A543ABC	230/208	1	60	53400	15669	5360	10	2.9	68387	4456	15.3																
H22A543DBE	460	3	60	53400	15646	5250	10.2	2.99	68400	4350	15.7																
	380/415	3	50	46000	13478	4460	10.3	3.02	58900	3680	16																
H22A543DBL	230/220	3	60	53400	15646	5250	10.2	2.99	68400	4350	15.7																
	220/200	3	50	46600	13654	4610	10.1	2.96	59700	3810	15.7																
H22A563DBL	230/220	3	60	55600	16291	5360	10.4	3.05	71300	4460	16																
	220/200	3	50	47500	13917	4640	10.2	2.99	60900	3840	15.9																
H22A583ABC	230/208	1	60	57100	16730	5780	9.9	2.9	72900	4810	15.2																
H22A583DBE	460	3	60	58400	17111	5550	10.5	3.08	74500	4630	16.1																
	380/415	3	50	49200	14415	4650	10.6	3.11	62800	3740	16.8																
H22A623ABC	230/208	1	60	57100	16730	5780	9.9	2.9	72900	4810	15.2																
H22A623DBE	460	3	60	60800	17814	5980	10.2	2.99	78200	4960	15.8																
	380/415	3	50	51800	15177	5030	10.3	3.02	66600	4160	16																
H22A623DBL	220/200	3	50	52300	15324	5130	10.2	2.99	67300	4250	15.8																
	230/220	3	60	60800	17814	5980	10.2	2.99	78200	4960	15.8																



Benchmark H22J Series R22, R407C Compressors

Specifications													Specifications																
					@45/130													Electrical Start Components			Diagrams								
					Capacity		Input Watts	EER/COP		Capacity		Motor Input Watts	EER/	Electrical Data			Displacement		Oil Charge		Run Cap	Start Cap	G.E.	A		B		C	
Model	HP	Volts	Phase	Hertz	BTU/H	WATT		BTU/WH	W/W	BTU/H	BTU/WH			BTU/WH	RLA	LRA	MCC	IN3/REV	CM3/REV	OZ				L	MFD/VOLTS	MFD/VOLTS	Relay	IN	MM
H22J153ABC		230/208	1	60	15700	4600	1485	10.5	3.08	21524	1224	17.5																	
H22J183ABC		230/208	1	60	18100	5303	1680	10.7	3.14	24429	1379	17.6																	
H22J223ABC		230/208	1	60	22500	6592	2105	10.8	3.16	29872	1724	17.8																	
H22J253ABC		230/208	1	60	24250	7105	2215	11.1	3.25	31586	1757	18.2																	
H22J293ABC		230/208	1	60	28215	8267	2600	11.1	3.25	36230	2054	18																	
H22J333ABC		230/208	1	60	31800	9317	2920	11.1	3.25	41138	2319	18.1																	
H22J363ABC		230/208	1	60	35330	10352	3230	11.1	3.25	44728	2554	17.8																	
H22J383ABC		230/208	1	60	37850	11090	3350	10.9	3.19	49000	2590	18.5																	
H22J413ABC		230/208	1	60	40700	11925	3600	10.9	3.19	52250	2850	17.8																	
H22J413DBE		460/380	3	60	40400	11837	3610	11.2	3.28	52300	2860	18.3																	
		380/415	3	50	34900	10226	3230	10.8	3.16	44300	2480	17.9																	
H22J413DBL		230/200	3	60	40500	11866	3650	11.1	3.25	52500	2890	18.2																	
		220/200	3	50	34900	10226	3230	10.8	3.16	44300	2480	17.9																	
H22J443DBD		230/200	3	60	44100	12921	4040	10.9	3.19	57100	3140	18.2																	
		220/200	3	50	37700	11046	3510	10.8	3.16	48600	2680	18.1																	
H22J443DBE		460/380	3	60	44100	12921	4040	10.9	3.19	57100	3140	18.2																	
		380/415	3	50	37700	11046	3510	10.8	3.16	48600	2680	18.1																	



H2EB Series R22, R407C Compressors

Specifications													Specifications															
					@45/130				@45/100									Electrical Start Components					Diagrams					
					Capacity		Input Watts	EER/COP		Capacity	Motor Input Watts	EER/	Electrical Data			Displacement	Oil Charge		Run Cap	Start Cap	G.E.	A			B		C	
Model	HP	Volts	Phase	Hertz	BTU/H	WATT		BTU/WH	W/W				BTU/H	BTU/WH	RLA		LRA	MCC				IN3/REV	CM3/REV	OZ	L	MFD/VOLTS	MFD/VOLTS	Relay
H2EB18SABC		H2EB S Series		60	17600	5157	1930	9.1	2.67	22900	1630	14.1																
H2EB20SABC		H2EB S Series		60	19800	5801	2170	9.1	2.67	26200	1770	14.8																
H2EB223ABC		230/208	1	60	22125	6492	2421	9.1	2.7	28191	2133	13.2																
H2EB24SABC		H2EB S Series		60	23600	6915	2510	9.4	2.75	30900	2270	13.6																
H2EB283ABC		230/208	1	60	28059	8233	3099	9.1	2.7	35680	2780	12.8																
H2EB28SABC		H2EB S Series		60	28300	8292	3110	9.1	2.67	35900	2790	12.9																
H2EB32SABC		H2EB S Series		60	31100	9112	3370	9.2	2.7	39000	2940	13.3																



Medium Temperature Refrigerant Scrolls

R404A, R507, R407A, R407C, R448A, R449A Compressors

Specifications								
Item ID	Nominal HP	Volts-Phase-Hertz	Capacity (BTU)			Replacement Guide		
			@20°F Evap-120°F Cond.	Discharge Line I.D.	Suction Line I.D.	Ran Capacitor MFD/Volts	Copeland	Heatcraft*
MPA010KAA	1-1/4	208/230-1PH-60	9700	1/2	3/4	30/370	ZS09KAE-PFV	21518201
MPA010RAA	1-1/4	208/230-3PH-60	9600	1/2	3/4	N/A	ZS09KAE-TF5	21518202
MPA010SAA	1-1/4	460-3PH-60	9650	1/2	3/4	N/A	ZS09KAE-TFD	21518203
MPA013KAA	1-3/4	208/230-1PH-60	12500	1/2	3/4	35/370	ZS13KAE-PFV	21518204
MPA013RAA	1-3/4	208/230-3PH-60	12700	1/2	3/4	N/A	ZS13KAE-TF5	21518205
MPA013SAA	1-3/4	460-3PH-60	12700	1/2	3/4	N/A	ZS13KAE-TFD	21518206
MPA015KAA	2	208/230-1PH-60	15200	1/2	3/4	40/370	ZS15KAE-PFV	21518207
MPA015RAA	2	208/230-3PH-60	14900	1/2	3/4	N/A	ZS15KAE-TF5	21518208
MPA015SAA	2	460-3PH-60	14900	1/2	3/4	N/A	ZS15KAE-TFD	21518209
MPA019KAA	2-1/4	208/230-1PH-60	16900	1/2	3/4	45/370	ZS19KAE-PFV	21518210
MPA019RAA	2-1/4	208/230-3PH-60	16800	1/2	3/4	N/A	ZS19KAE-TF5	21518211
MPA019SAA	2-1/4	460-3PH-60	16800	1/2	3/4	N/A	ZS19KAE-TFD	21518212
MBA021KAA	2-3/4	208/230-1PH-60	22400	1/2	7/8	55/370	ZS21KAE-PFV	21518213
MBA021RAA	2-3/4	208/230-3PH-60	22400	1/2	7/8	N/A	ZS21KAE-TF5	21518214
MBA021SAA	2-3/4	460-3PH-60	22400	1/2	7/8	N/A	ZS21KAE-TFD	21518215
MBA026KAA	3	208/230-1PH-60	25000	1/2	7/8	55/370	ZS26KAE-PFV	21518216
MBA026RAA	3	208/230-3PH-60	24800	1/2	7/8	N/A	ZS26KAE-TF5	21518217
MBA026SAA	3	460-3PH-60	24800	1/2	7/8	N/A	ZS26KAE-TFD	21518218
MBA029KAA	3-1/2	208/230-1PH-60	27700	1/2	7/8	60/440	ZS29KAE-PFV	21518219
MBA029RAA	3-1/2	208/230-3PH-60	27800	1/2	7/8	N/A	ZS29KAE-TF5	21518220
MBA029SAA	3-1/2	460-3PH-60	27700	1/2	7/8	N/A	ZS29KAE-TFD	21518221
MBA033KAA	4	208/230-1PH-60	31100	1/2	7/8	80/440	ZS33KAE-PFV	21518222
MBA033RAA	4	208/230-3PH-60	31300	1/2	7/8	N/A	ZS33KAE-TF5	21518223
MBA033SAA	4	460-3PH-60	31300	1/2	7/8	N/A	ZS33KAE-TFD	21518224
MRA038KAA	4-1/2	208/230-1PH-60	37000	1/2	7/8	80/440	ZS38K4E-PFV	21518225
MRA038RAA	4-1/2	208/230-3PH-60	37200	1/2	7/8	N/A	ZS38K4E-TF5	21518226
MRA038SAA	4-1/2	460-3PH-60	37800	1/2	7/8	N/A	ZS38K4E-TFD	21518227
MRA045RAA	5-1/4	208/230-3PH-60	45100	1/2	7/8	N/A	ZS45K4E-TF5	21518228
MRA045SAA	5-1/4	460-3PH-60	45200	1/2	7/8	N/A	ZS45K4E-TFD	21518229

R410A Compressors

Specifications									
GEN 1 Item ID	GEN 1 Capacity (BTU)	GEN 2 Item ID	GEN 2 Capacity (BTU)	Nominal HP	Volts-Phase-Hertz	Discharge Line I.D.	Suction Line I.D.	Ran Capacitor MFD/Volts	Replacement Guide
									Copeland
APB016KAA	15200	APG016KACS	15500	1-1/2	208/230-1PH-60	1/2	3/4	35/370	ZP16K5EPFV
APB020KAA	19500	APG020KACS	20000	2	208/230-1PH-60	1/2	3/4	35/370	ZP20K5EPFV
APB024KAA	22500	APG024KBCS	23500	2+	208/230-1PH-60	1/2	3/4	40/370	ZP24K5EPFV
APA032KAA	30500	APG031KACS	30800	3	208/230-1PH-60	1/2	3/4	45/440	ZP29K5EPFV, ZP31K5EPFV
APA032RAA	30000	APG031RACS	30300	-	-	-	-	-	-
APA032WAA	30000	APG031WACS	30000	-	-	-	-	-	-
AQA034KAA	34100	ABG034KACS	34350	3	208/230-1PH-60	1/2	7/8	45/440	ZP34K5EPFV
AQA036KAA	36000	ABG036KACS	36000	3+	208/230-1PH-60	1/2	7/8	45/440	"ZP36K5EPFV, ZP38K5EPFV"
AQA042KAA	41500	ABG042KACS	42000	4	208/230-1PH-60	1/2	7/8	70/440	ZP42K5EPFV
ABA051RAA	51500	ABG051RACS	51000	-	-	-	-	-	-
ABA051KAC	51500	ABG051KACS	51000	5	208/230-1PH-60	1/2	7/8	75/440	ZP51K5EPFV



DISCHARGE TEMPERATURE SENSOR
External thermal sensor protects the scroll mechanism from overheating



INTERNAL PRESSURE RELIEF
A relief valve that opens to protect against high internal pressure



R134A, R450A, R513A Compressors

Specifications						
Item ID	Nominal HP	Volts-Phase-Hertz	Capacity BTU @			Replacement Guide
			(-10/130°F)	(20/130°F)	(45/130°F)	
PL35G-2		220/240-1-50/60				-
BD35F212	N/A	12-24V DC	100-168	-	-	-
BD35F510	N/A	12-24VDC & 100-240VAC 50/60HZ	113 - 171	140 - 257	518 - 648	-
BD50F212	N/A	12-24VDC	142-245	-	-	195B0678, 195B0745
BD50F510	N/A	12-24VDC & 100-240VAC 50/60HZ	142-245	360 - 613	633 - 810	#N/A
BD80F390	N/A	12-24VDC & 100-240VAC 50/60HZ	175-370	-	-	-
TL3G-2	N/A	220/240-1-50/60	228	-	-	-
SC15FT-2	1/2	220/240-1-50/60	1541			195B0407
SC10GH-2	1/2	220/240-1-50/60			3511	195B0142
SC15G-1	1/2+	115-1-60	1241	3040	5496	195B0099, AFE12C4E-IAA, ARE46C4E, ARE51C4E-CAA, AKA4460YXA, NEK6212Z
SC18G-1	1/2+	115-1-60	1357	3479	6200	AEA2413YXA, AKA4460YXA, 195B0694
NF11FX.2-1	1/3	115/127-1-60	1571	2700		-
NF11FX-1	1/3	115-1-60	1101			195B0388, AFE10C3E-IAA, ARE34C4E-IAA, ARE37C3E-IAA, ARE37C3E-SAA, AEA3440YXA, NEK6187Z
NL6.1MF-2	1/3	220/240-1-5	1101			-
SC12G-1	1/3+	115-1-60	972	2588	4730	195B0042, AFE10C3E-IAA, AFE12C3E-IAA, ARE40C4E-IAA, ARE41C3E-IAA, ARE46C4E-IAA, AEA2410YXA,
NF9FX-1	1/3+	115-1-60	935	1907		-
NF9FX-2	1/3+	115-1-60				-
TL5G-1	1/4	115-1-60	427	-	-	-
TFS4.5FT-1	1/4	115-1-60	477	-	-	195B0673
FR8.5G-2	1/4	220/240-1-50/60	658	1548	-	AEA3425YXD, 195B0026
FF8.5GX-1	1/4	115-1-60	662	1570	2842	ARE27C3E-SAA, AFE05C4E-IAA, ARE25C3E-IAA, ARE25C3E-SAA, ARE25C4E-IAA, ARE27C3E-IAA, AEA3430YXA,
FF10GX-1	1/4	115-1-60	716	-	3147	ARE27C3E-SAA, AFE05C4E-IAA, AFE07C3E-IAA, ARE25C4E-IAA, ARE27C3E-IAA, ARE29C4E-IAA, AEA1360YXA,
NF5.5FX-1	1/4	115-1-60	695	1442	-	195B0259, ARE25C3E-SAA, AFE05C4E-IAA, ARE25C3E-IAA, ARE25C4E-IAA, AEA1360YXA, AEA3425YXA, FF7.5HBK
NF6.1FX.2-1	1/4	115-1-60	721	1541	-	-
FR7GH-2	1/4	220/240-1PH-50/60	-	-	2830	AEA3425YXD, 195B0025, 195B0167, FR7GH
NF7FX-1	1/4	115-1PH-60	858	-	-	-
NF7.3FX.2-1	1/4	115-1PH-60	892	1857		195B0586
NF10FX-1	1/4	115-1PH-60	950			123B1576
NF10FX-2	1/4	220/240-1PH-50/60	950			-

R134A, R450A, R513A Compressors

Specifications						
Item ID	Nominal HP	Volts-Phase-Hertz	Capacity BTU @			Replacement Guide
			(-10/130°F)	(20/130°F)	(45/130°F)	
TL2.5G-1	1/5	115-1PH-60	202	-	1002	#N/A
TL2.5G-2	1/5	220/240-1PH-50/60	202	-	1002	195B0688
TL5G-2	1/8	220/240-1PH-50/60	427	-		195B0011
FF10GX-1	1/8	115-1PH-60	474	-	2823	ARE27C3E-SAA, AFE05C4E-IAA, AFE07C3E-IAA, ARE25C4E-IAA, ARE27C3E-IAA, ARE29C4E-IAA, AEA1360YXA,
FR7.5G-2	1/10	220/240-1PH-50/60	730	-	-	195B0024, 195B4031
FR10G-2	1/10	220/240-1PH-50/60	730	-	-	-
TL4G-1	1/10	115-1PH-60	327	-	1295@50HZ	195B0003, AEA3414YXA, AZA0370YXA
TL4G-2	1/10	220/240-1PH-50/60	327	-	-	-
TL2.5F-1	1/10	115-1PH-60	202	466	-	195B0299
TL3F-1	1/10	115-1PH-60	253	639	-	195B0002
SC15GH-2	3/4	220/240-1PH-50/60			5394	-
SC21G-2	3/4	220/240-1PH-50/60	1558			195B0636, ARE51C4E-IAV, AJA7461YXD
SC21FTX-2	3/4	208/230-1PH-60	2179			195B0659



Connectors:

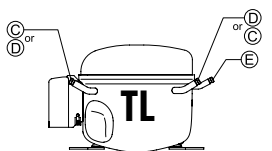
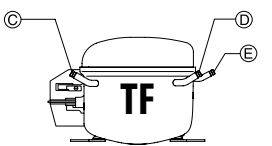
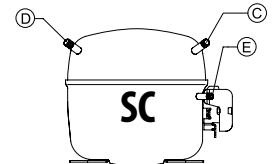
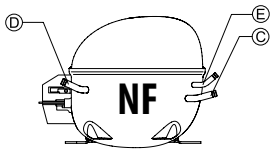
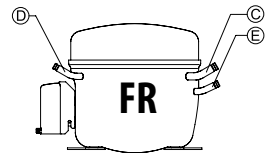
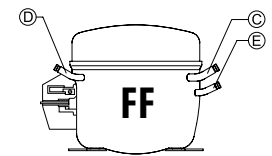
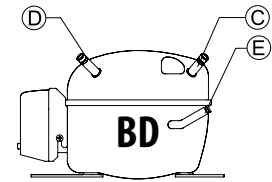
C - Suction

D - Process

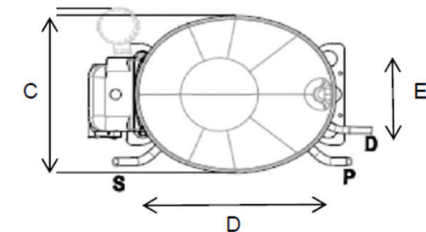
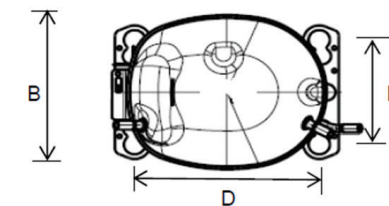
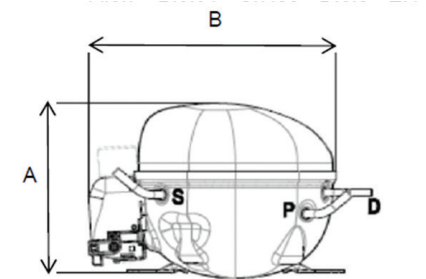
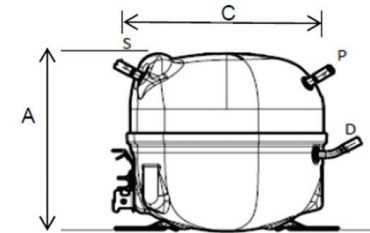
E - Discharge

R404A, R448A, R449A, R452A Compressors

Specifications					
Item ID	Nominal HP	Volts-Phase-Hertz	Capacity BTU @		
			(-10/130°F)	(20/130°F)	(45/130°F)
NF7CLX-1	1/2	115-1PH-60	1716	2789	-
SC10CLX-2	1/2	220/240-1PH-50/60	2001	4092	-
SC12MLX-1	1/2+	115-1PH-60	-	4391	-
SC15CLX.2-1	1/3	115-1PH-60	3004	-	-
SC18CLX.2-1	1/3+	115-1PH-60	3795	-	-
TL4.5CLX-2	1/4	220/240-1PH-50	-	-	-
NF5.5CLX-1	3/4	115-1PH-60	-	2209	-
TF4CLX-1	3/4	115-1PH-60	702	1285	-
SC12CLX.2-1	3/4	115-1PH-60	2466	-	-
SC12MLX-2	3/4	208/230-1PH-60	-	4248	-
SC15MLX.2-1	3/4	115-1PH-60	-	5120	-
SC15MLX.2-2	3/4	208/230-1PH-60	3005	-	-
SC18MLX-1	1	115-1PH-60	-	6296	-

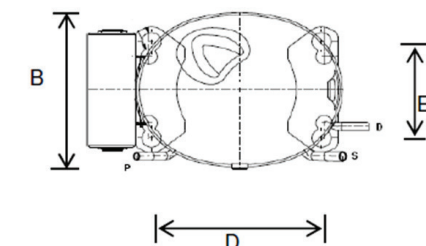
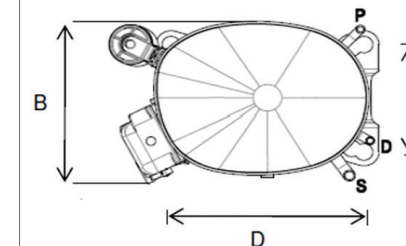
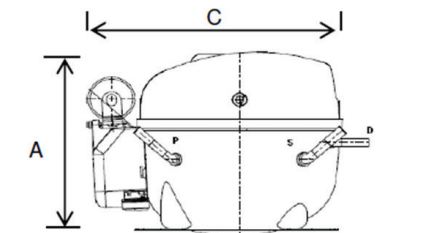
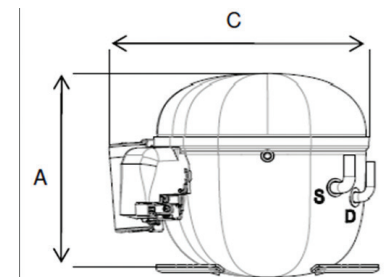


Physical Dimensions



A:6.1"-6.6" B:7.05" C:5.91" D:6.5" E:4"

PD1



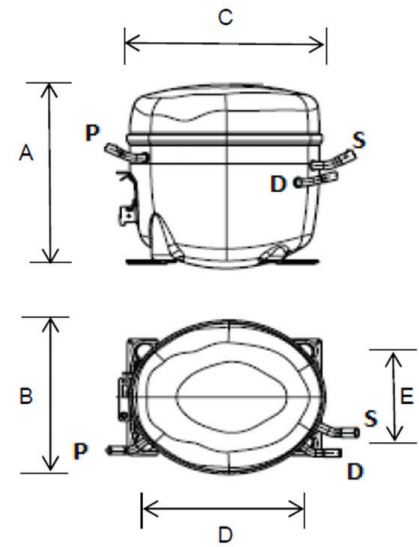
A:8.1"-9.9" B:10.7" C:7.3" D:8" E:4.8"

A:7.9"-8.1" B:9.68" C:6.37" D:6.5" E:4"

PD2

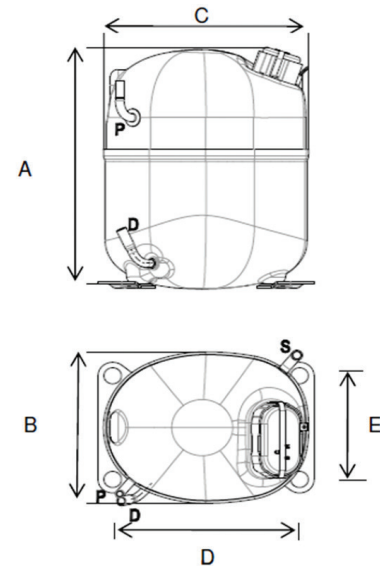
PD3

Physical Dimensions



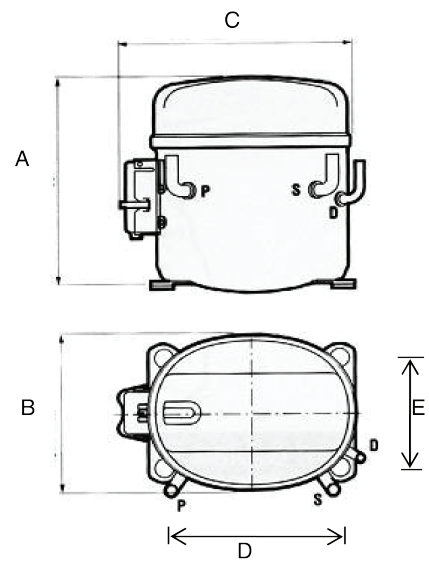
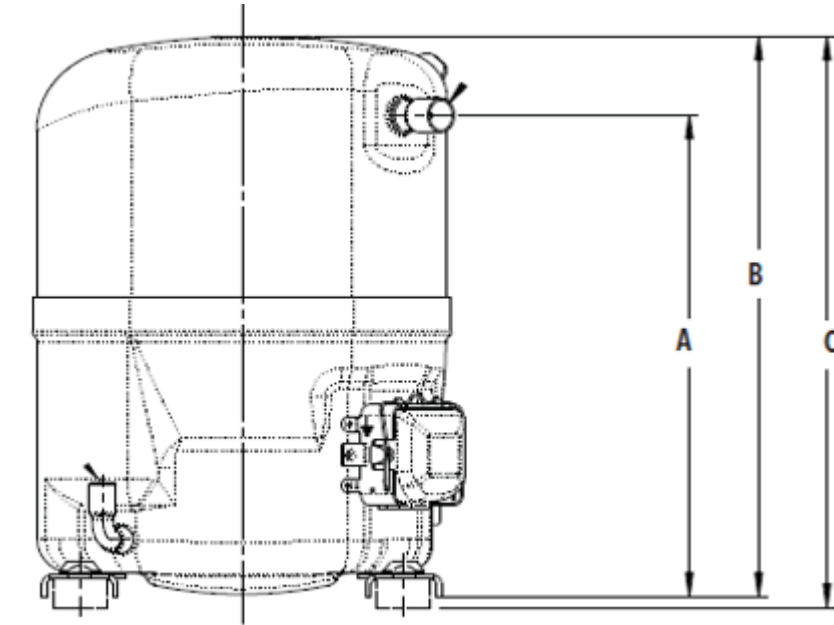
A:7.9"-8.1" B:8.02" C:6.8" D:6.5" E:4"

PD4



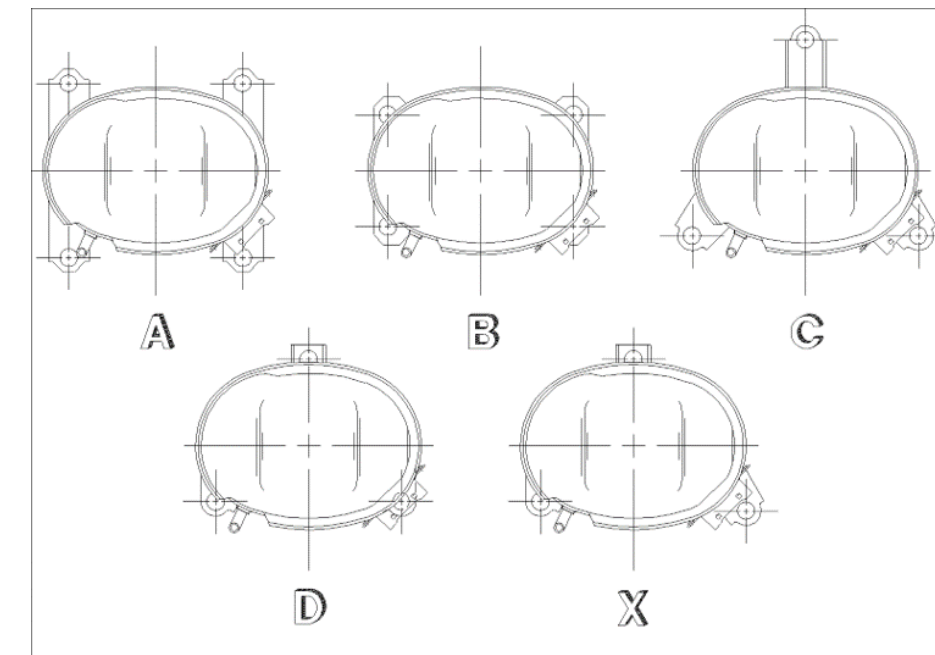
A:10.4" - 10.9" B:8.81" C:7.5" D:8" E:4.8"

PD5



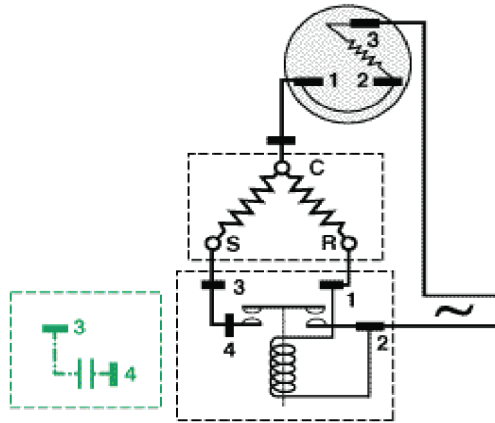
A:8.7" B:6.53" C:10.82" D:7" E:4.5"

PD6



Mounting Foot Configurations

Wiring Diagrams

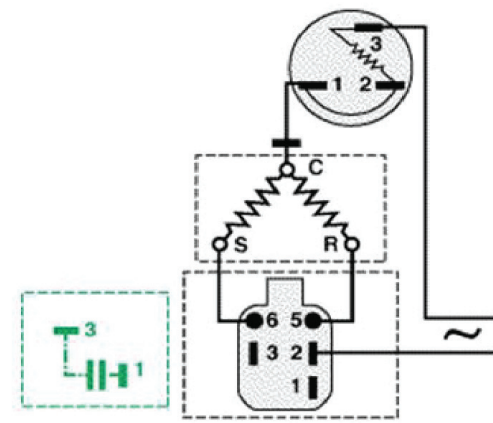


Compressor Terminals

C = Common
R = Run
S = Start

Electrical components are supplied unassembled.
Use of components other than specified will void warranty.

WD1

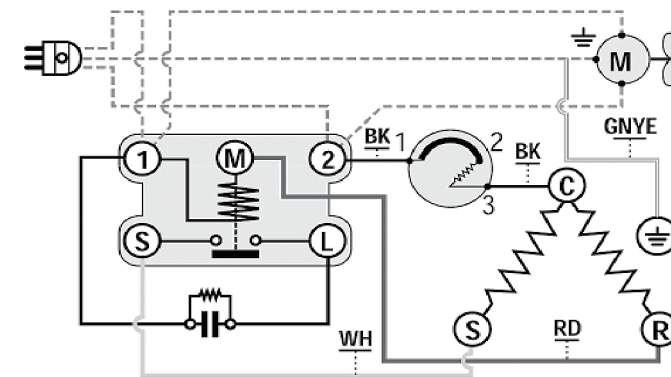


Compressor Terminals

C = Common
R = Run
S = Start

Electrical components are supplied unassembled.
Use of components other than specified will void warranty.

WD2

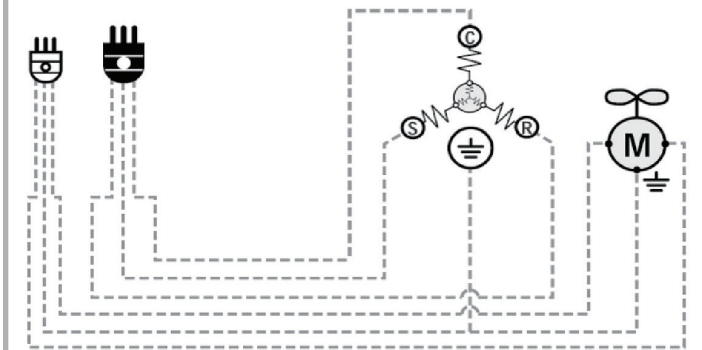


Compressor Terminals

C = Common
R = Run
S = Start

Electrical components are supplied unassembled.
Use of components other than specified will void warranty.

WD5

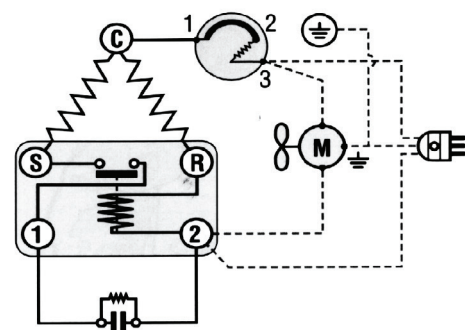


Compressor Terminals

C = Common
R = Run
S = Start

Electrical components are supplied unassembled.
Use of components other than specified will void warranty.

WD6

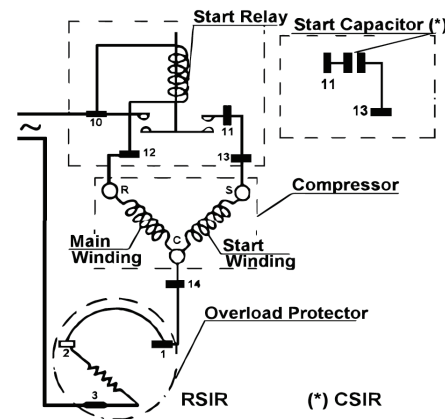


Compressor Terminals

C = Common
R = Run
S = Start

Electrical components are supplied unassembled.
Use of components other than specified will void warranty.

WD3

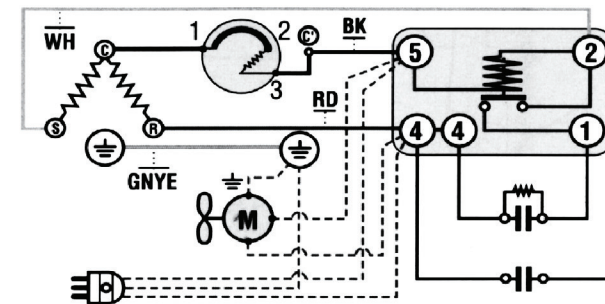


Compressor Terminals

C = Common
R = Run
S = Start

Electrical components are supplied unassembled.
Use of components other than specified will void warranty.

WD4

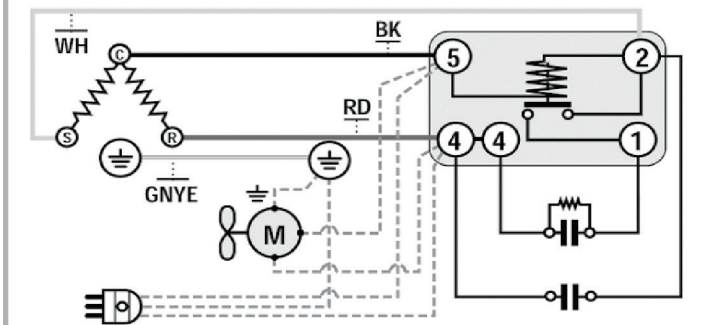


Compressor Terminals

C = Common
R = Run
S = Start

Electrical components are supplied unassembled.
Use of components other than specified will void warranty.

WD7



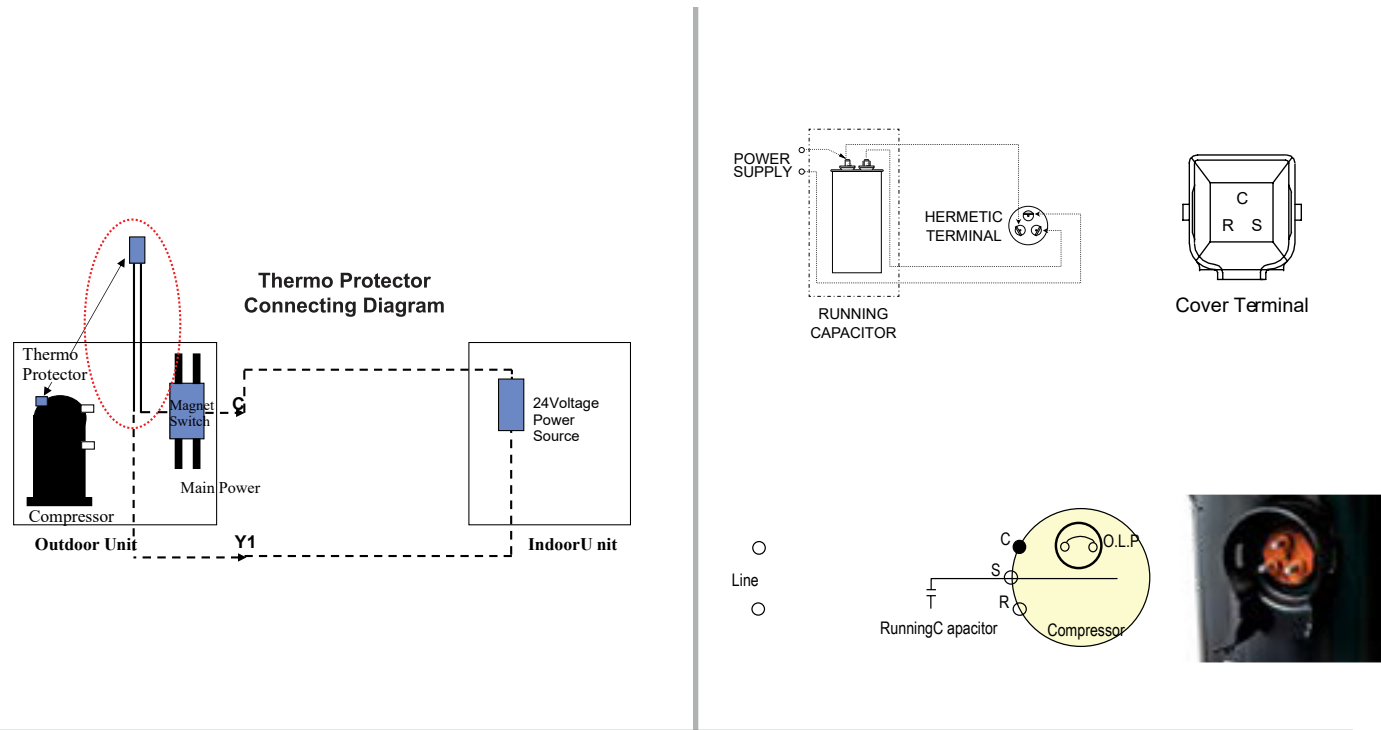
Compressor Terminals

C = Common
R = Run
S = Start

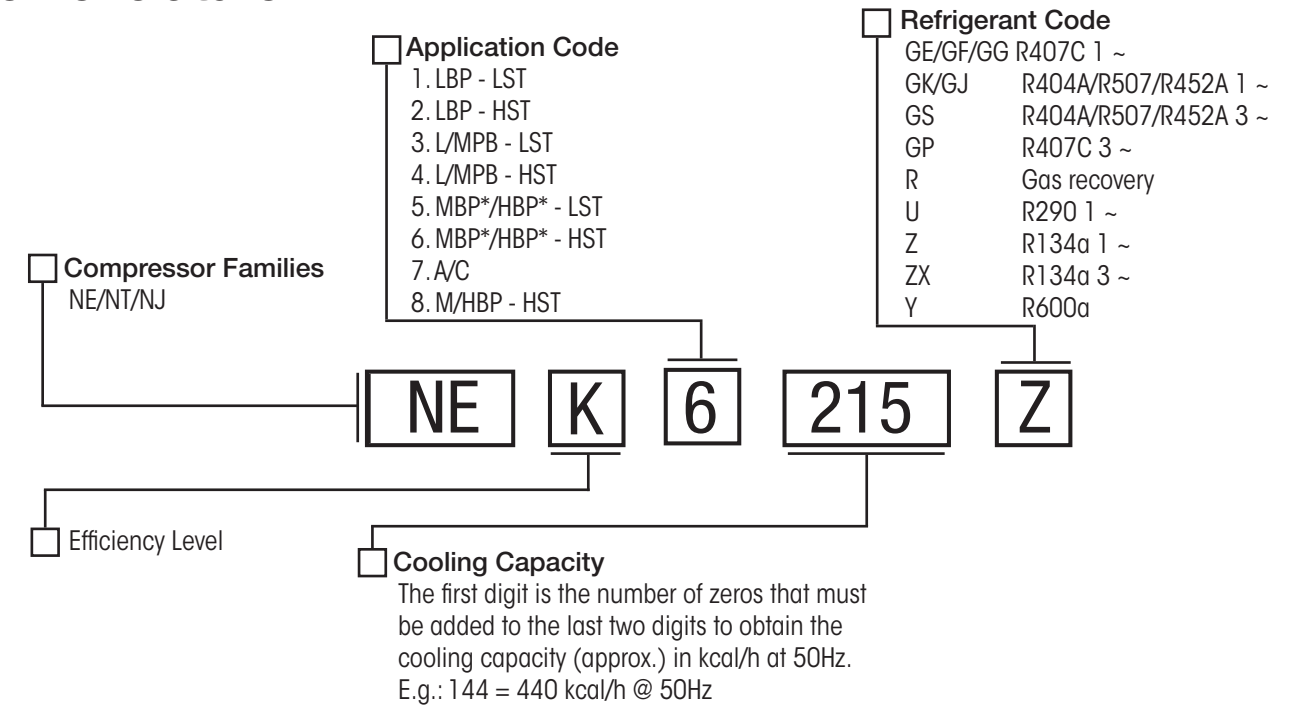
Electrical components are supplied unassembled.
Use of components other than specified will void warranty.

WD8

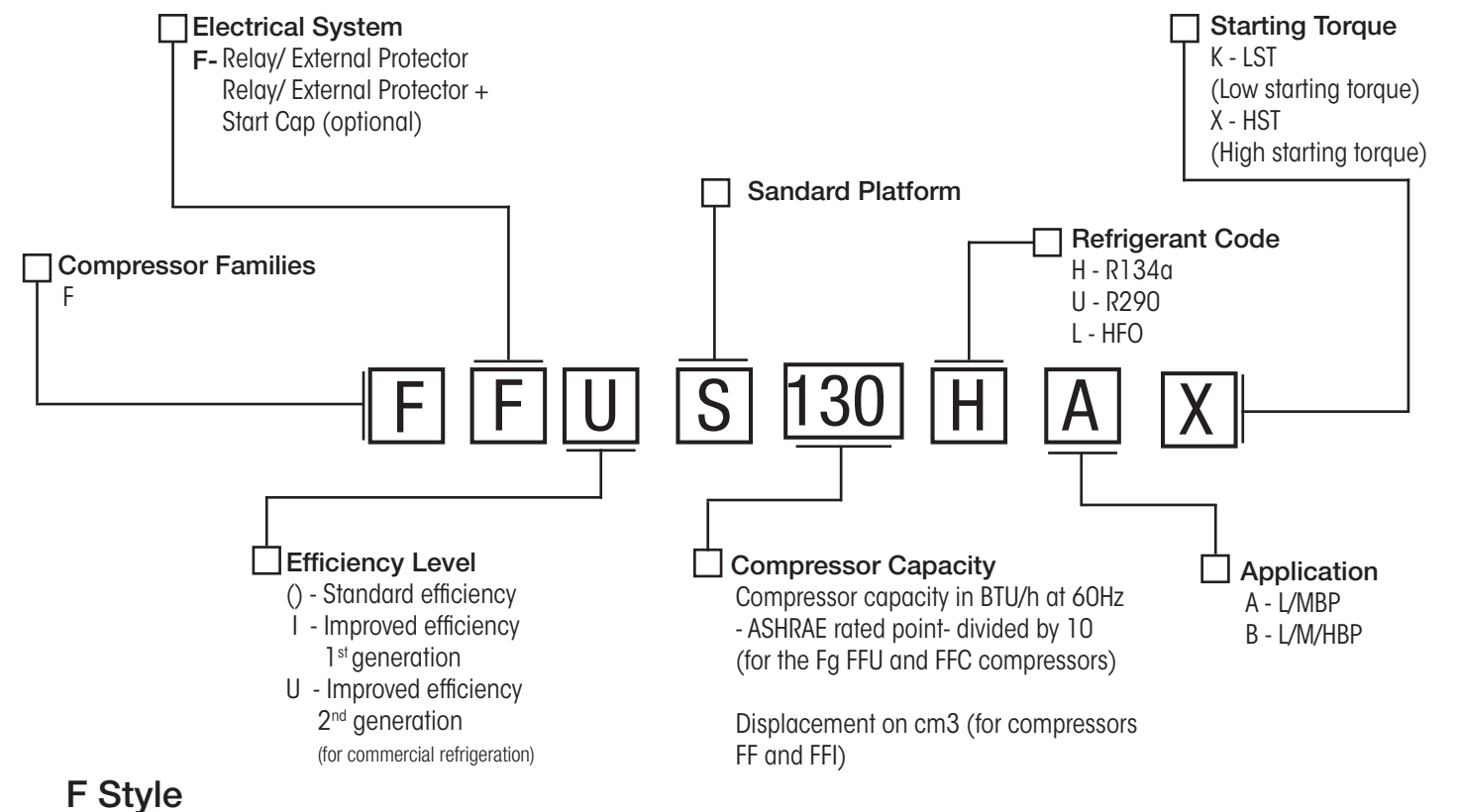
Wiring Diagrams



Nomenclature



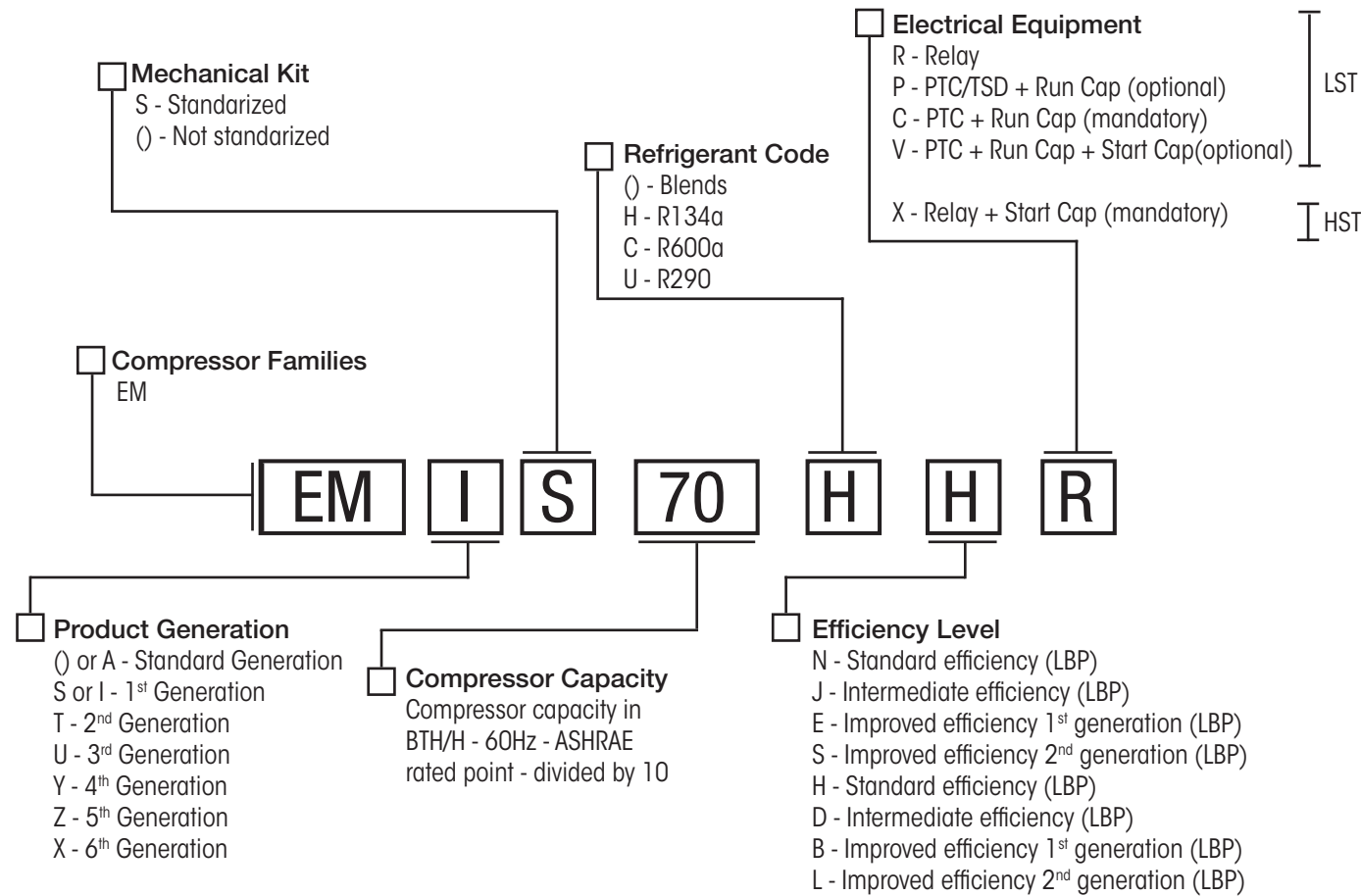
NE/NT/NJ Styles



Competitor Scroll

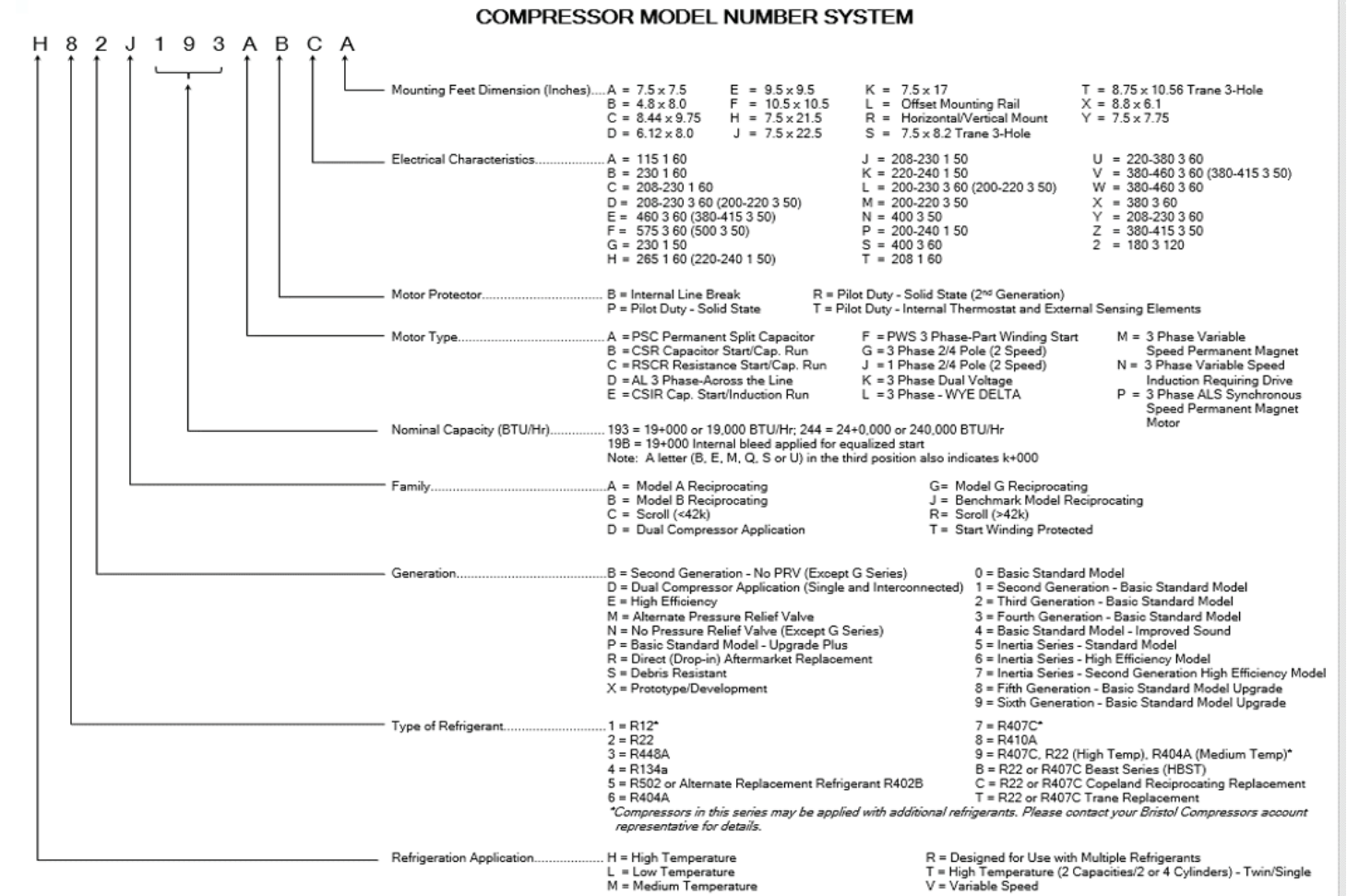
LG Scroll

Nomenclature



EM Style

Nomenclature



embraco

BRISTOL
COMPRESSORS™

SECOP

ALLTEMP 

 **LG**
Life's Good