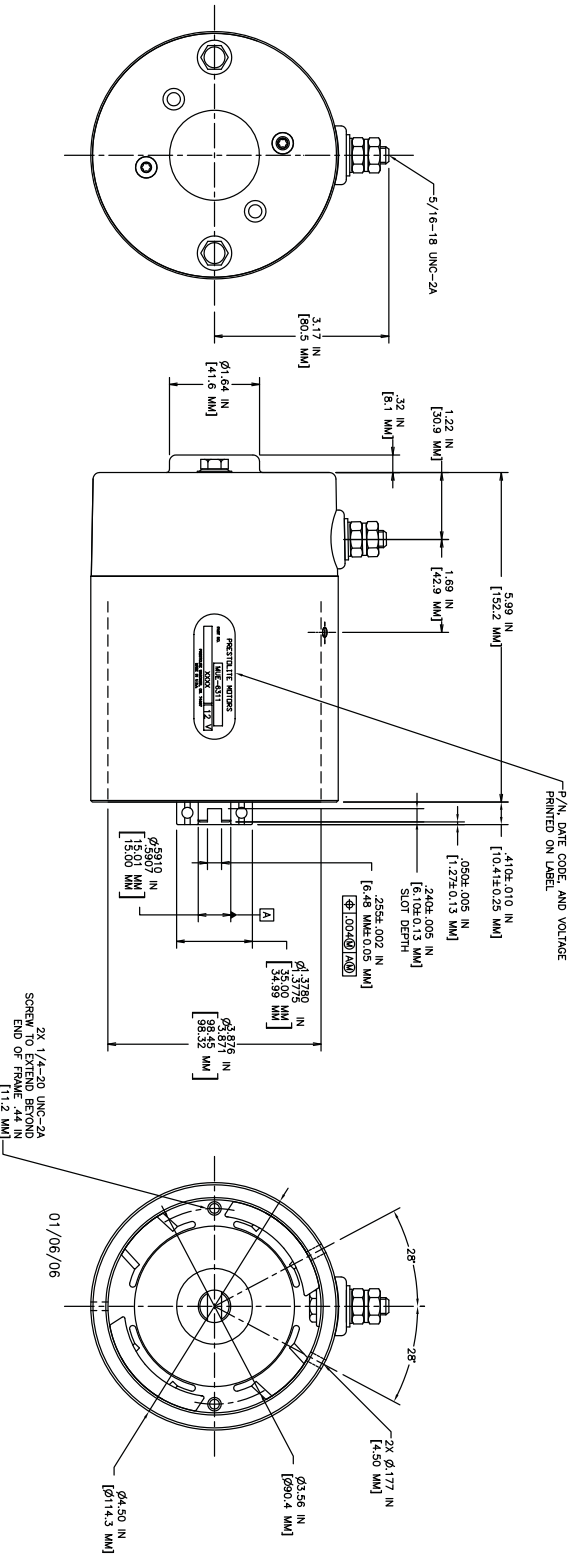


REVISIONS				
TIME	REV	DESCRIPTION	DATE	APPROVED
	B	REVISED AND REDRAWN	09/24/09	78303 DCG

5JJN7



- NOTES:
- VOLTAGE: 12V
  - ROTATION: CCW/DE
  - TEST TO CU-2403.
  - FINISH: STEEL HOUSING: ZINC/CLEAR (SILVER COLOR). ALUMINUM ENH/HD: NATURAL.
  - END OF SHAFT HARDENED TO RC 46-52
  - PROTECTION: IP67
  - CASE GROUND.

THIS DRAWING IS THE PROPERTY OF METTEK AND SUPERSEDES ALL PREVIOUS REVISIONS. INTERFERING DRAWING ACCORDING TO ASME Y14.5M-1994. DO NOT SCALE. WORK TO DIMENSIONS. UNLESS OTHERWISE SPECIFIED, DIMENSIONS ARE IN INCHES. ANGLES ARE 90° UNLESS OTHERWISE SPECIFIED. DIMENSIONS ARE SHOWN UNLESS OTHERWISE SPECIFIED. DIMENSIONS ARE SHOWN UNLESS OTHERWISE SPECIFIED. DIMENSIONS ARE SHOWN UNLESS OTHERWISE SPECIFIED.

DATE	REV	DESCRIPTION	DATE	APPROVED
09/24/09 <td>B <td>REVISED AND REDRAWN <td>09/24/09 <td>78303 DCG</td> </td></td></td>	B <td>REVISED AND REDRAWN <td>09/24/09 <td>78303 DCG</td> </td></td>	REVISED AND REDRAWN <td>09/24/09 <td>78303 DCG</td> </td>	09/24/09 <td>78303 DCG</td>	78303 DCG