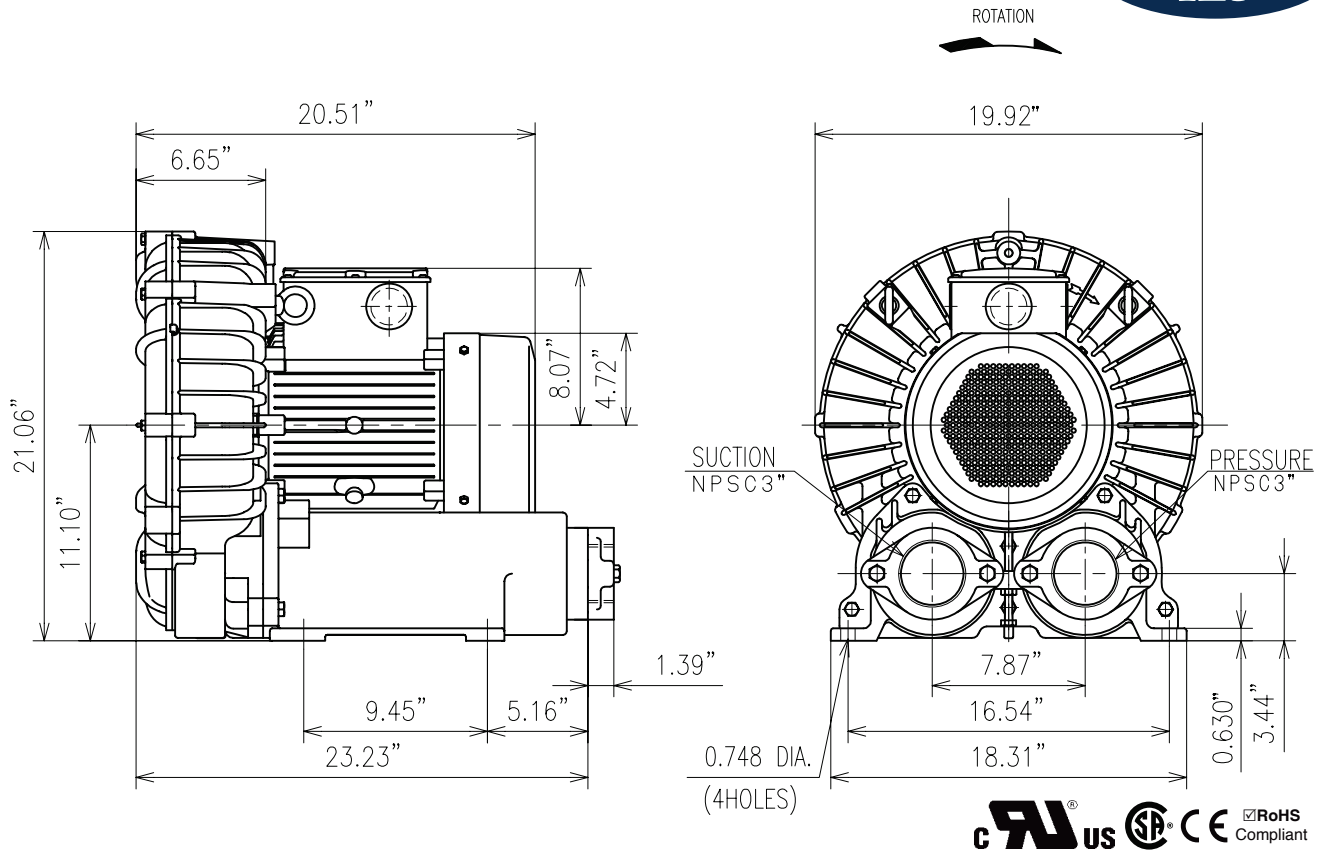
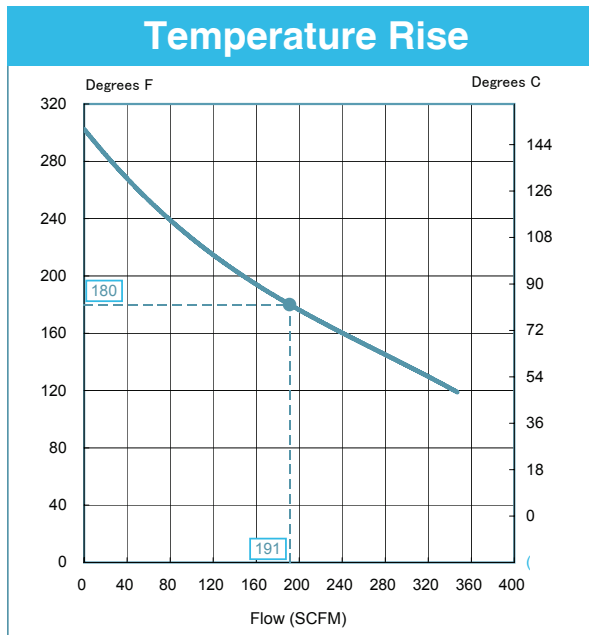
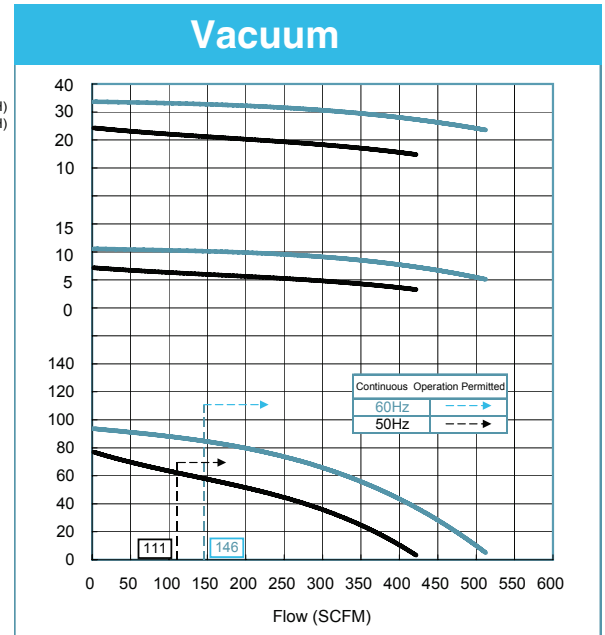
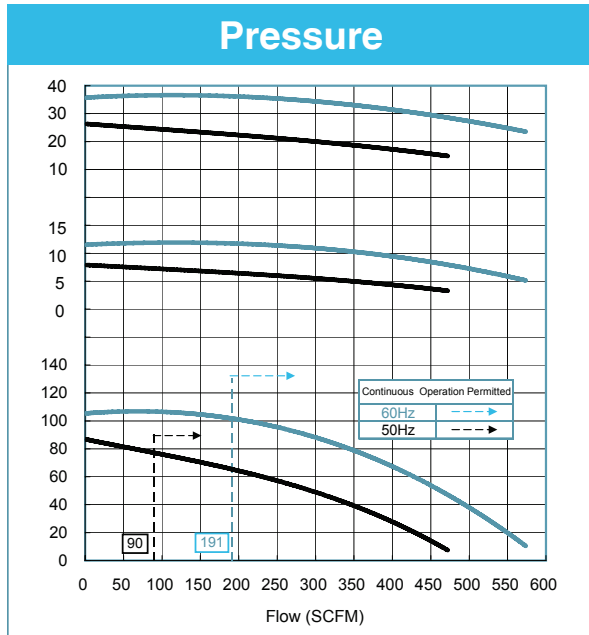


NEMA Premium  
**IE3**



**Specifications**

Model	VFZ901A-7W	
HP	14.7	14.7
Hz	60	50
Phase	3	3
Voltage	208-230/460	200/400
Max. Amps	39.1-37.8/18.9	39.7/19.9
Locked Rotor Amps	456-500/250	438/219
Max. Pressure ( in. H2O)	100	78
Max. Vacuum (in. H2O)	85	63
Max. Airflow Pressure (SCFM)	574	472
Max. Airflow Vacuum (SCFM)	512	422
Min. Airflow Pressure (SCFM)	191	90
Min. Airflow Vacuum (SCFM)	146	111
Max. Air Temperature Rise (°F)	180	176
Weight (lbs.)	259	259



Max. Air Temperature is Value Marked • plus 40 Degrees C Ambient Temperature

## Accessories

Inlet Filter	F-89
Inlet Filter/ Silencer	FS-89
In-Line Vacuum Filter	IVF-89
Pressure Relief Valve	PV9
Vacuum Relief Valve	VV9
Silencer 3"	VFY029A