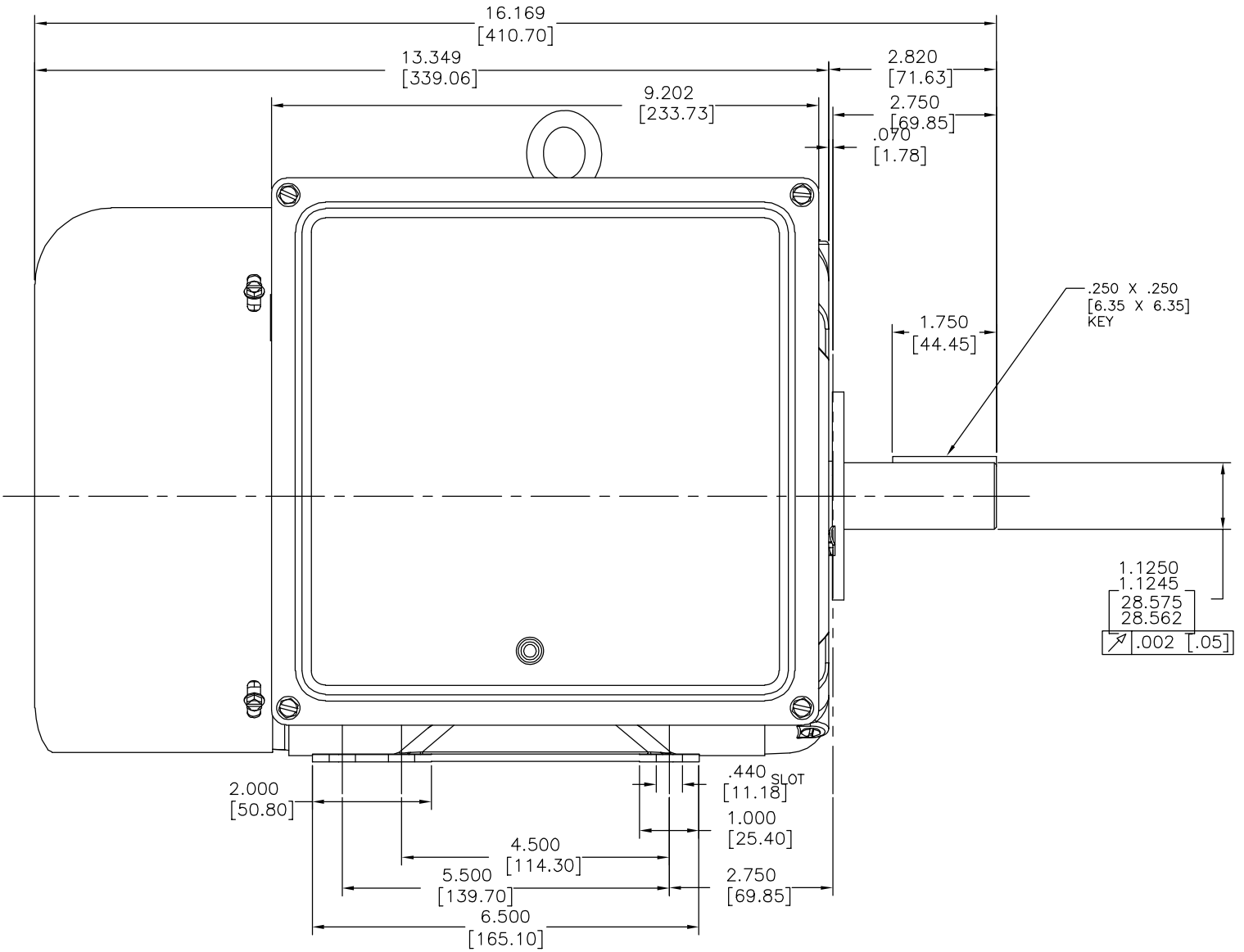
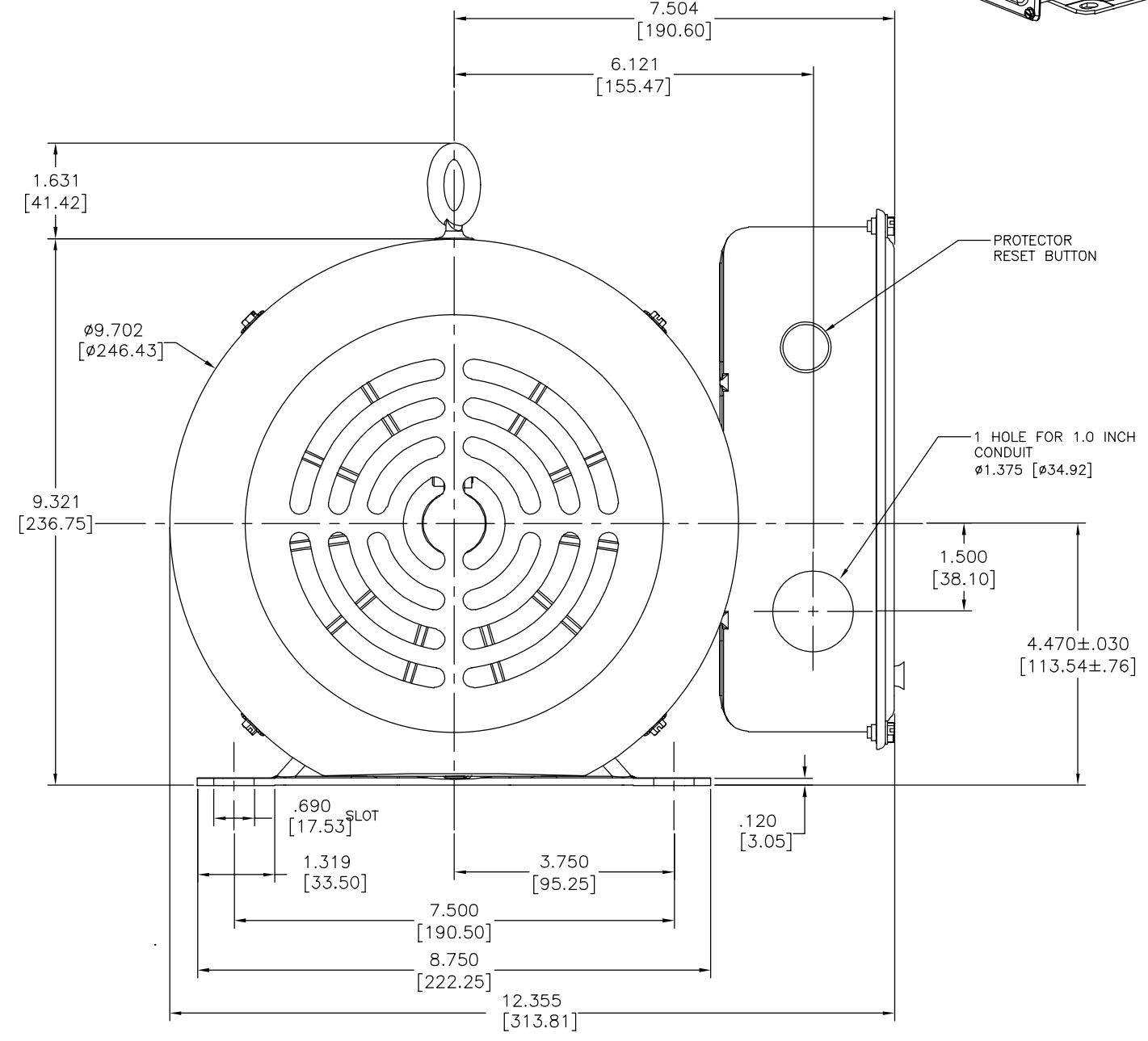
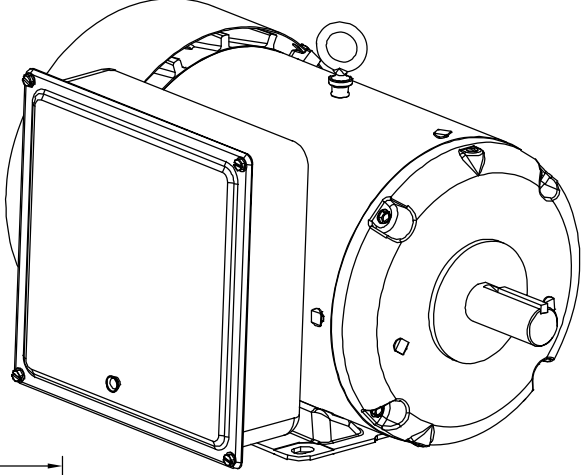


REV	ECO	REV BY	DATE	APPD	DATE
C	0025429	L. BERNAL	04-16-2012	D. BALDERRAMA	04-16-2012

- NOTES:
 1- SINGLE PHASE TEFC RIGID BASE S182T OR S184T MOUNTING.
 2- MOTOR IS SUITABLE FOR ALL POSITION MOUNTING.
 3- MOTOR CANNOT BE FIELD CONVERTED FROM F1 TO F2 MOUNTING.



GEOMETRIC CHARACTERISTICS & SYMBOLS

- FLATNESS
- STRAIGHTNESS
- ANGULARITY
- PERPENDICULARITY (SQUARENESS)
- PARALLELISM
- ROUNDNESS (CIRCULARITY)
- CYLINDRICITY
- PROFILE OF ANY SURFACE
- PROFILE OF ANY LINE
- RUNOUT
- TRUE POSITION
- CONCENTRICITY
- SYMMETRY

UNLESS OTHERWISE SPECIFIED DIM. TOLERANCES ARE AS FOLLOWS:
 INCH ± .1 ± .02 ± .005 ± .0005
 mm ± 0.5 ± 0.13 ± 0.013
 ANG. ± .50 DEG
 REMOVE BURRS & BREAK SHARP EDGES:
 INCH .003-.015 mm 0.1-0.4
 CORNER FILLETS TO:
 INCH .020 mm 0.5
 MACHINE SURFACES:
 INCH 125 mm 3.2
 METRIC DIMS. SHOWN IN [BRACKETS]

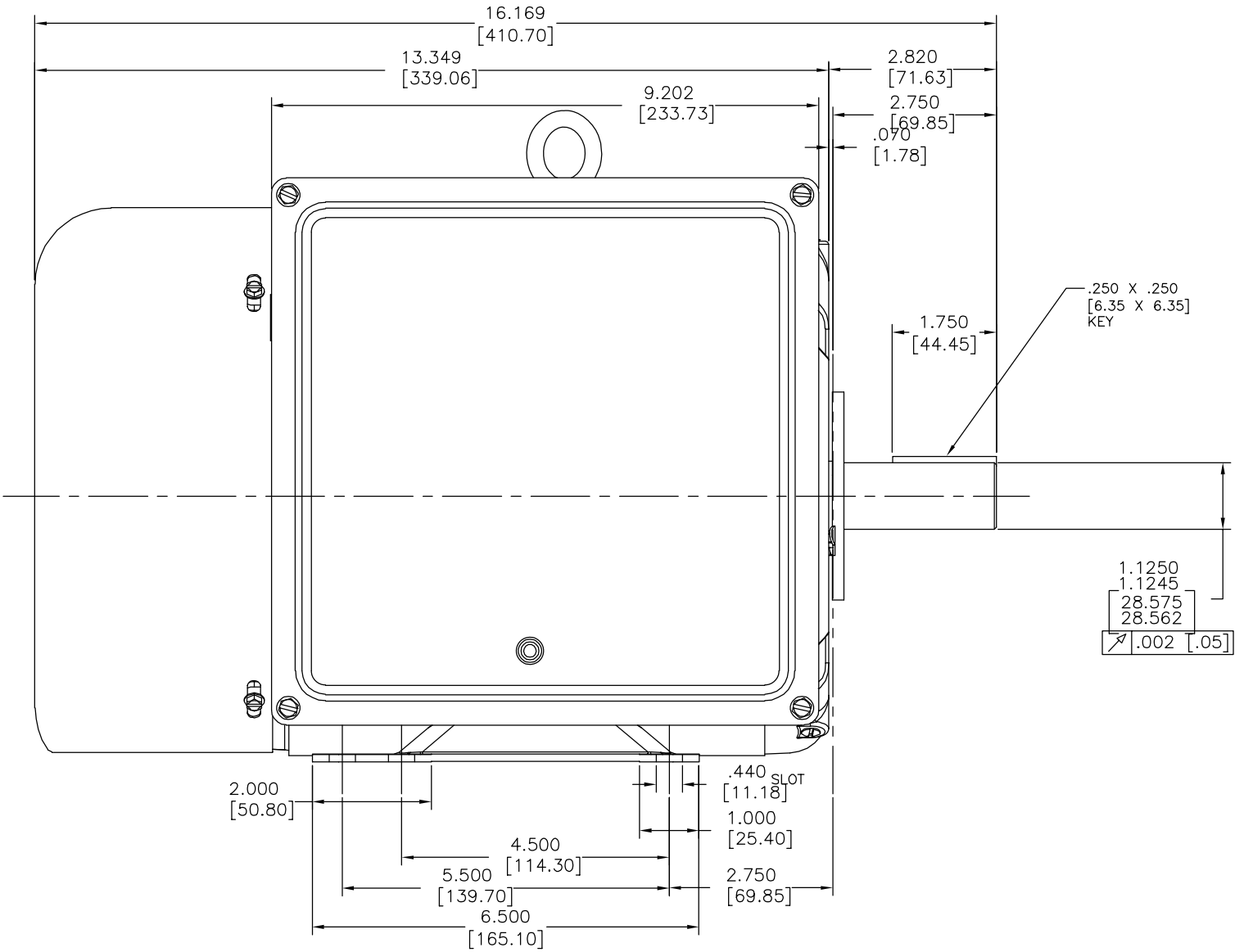
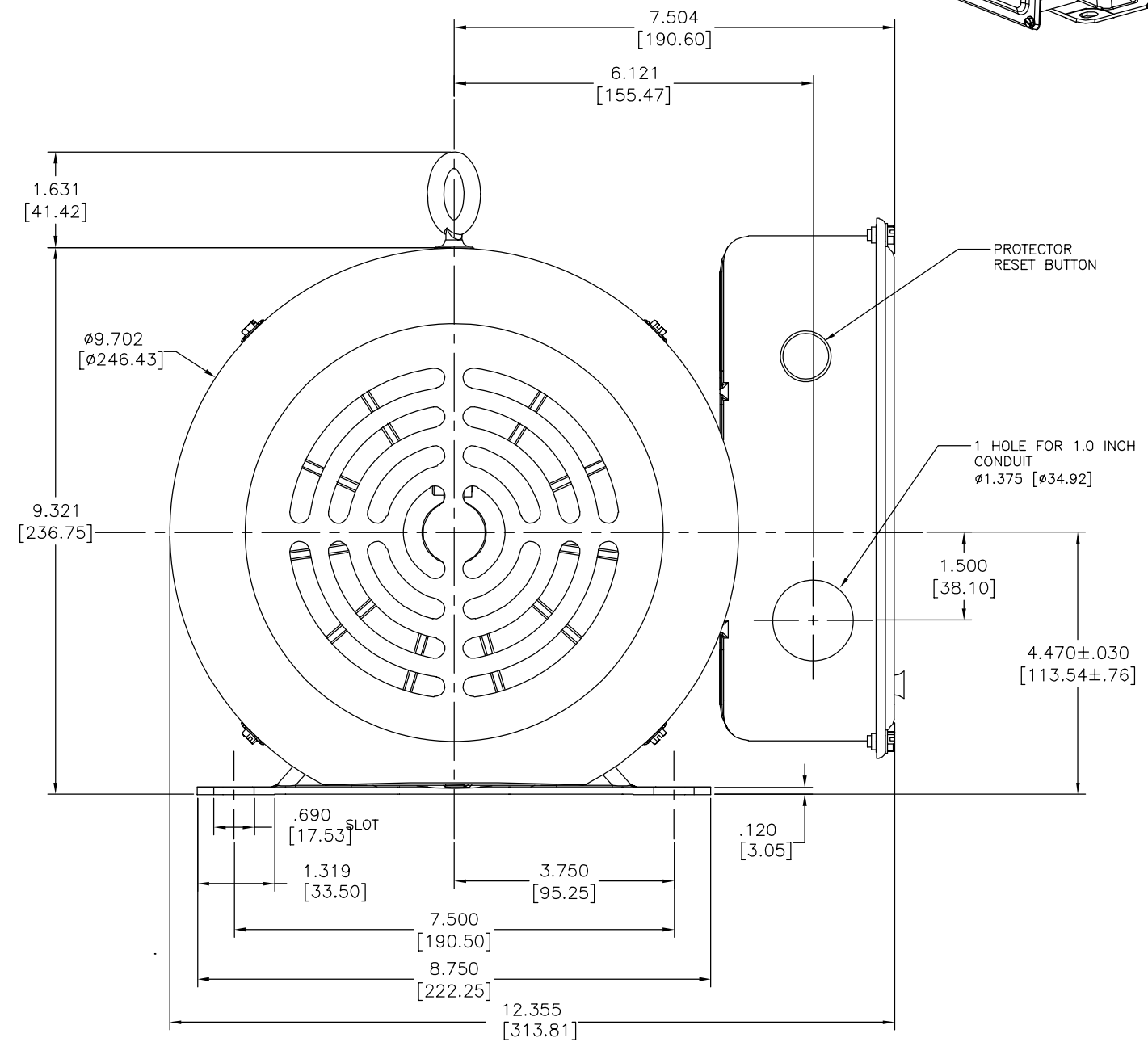
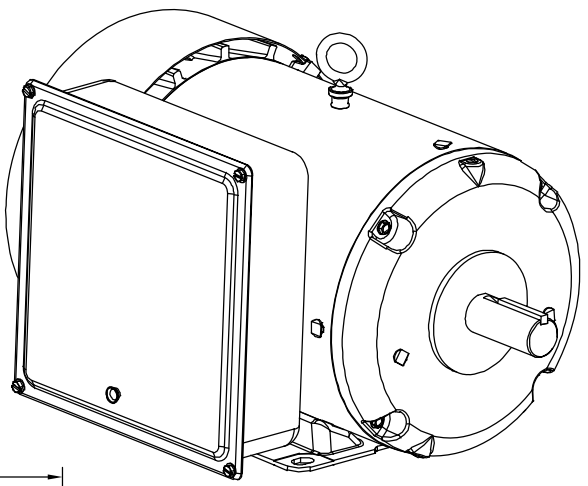
DR BY:	P. WILSON	04-24-2006
APPD:	P. WILSON	07-10-2006
THRD ANGLE PROJECTION		EDS DATE 11-11-2011 FORMAT REV G

DESCRIPTION	OUTLINE
SIZE	D
DWG NO	20170001-001
SCALE	NONE
SHEET	1

CONFIDENTIAL: THIS DRAWING AND ITS INFORMATION ARE THE EXCLUSIVE AND CONFIDENTIAL PROPERTY OF REGAL-BELOIT CORPORATION AND ARE NOT TO BE DISCLOSED, DUPLICATED, DISTRIBUTED OR OTHERWISE USED WITHOUT THE WRITTEN CONSENT OF REGAL-BELOIT CORPORATION. -ALL RIGHTS RESERVED.

REVISION:	ECO	REVISADO POR:	L. BERNAL	FECHA:	04-16-2012	APROBADO POR:	D. BALDERRAMA	FECHA:	04-16-2012
C	0025429								

NOTES:
 1- SINGLE PHASE TEFC RIGID BASE S182T OR S184T MOUNTING.
 2- MOTOR IS SUITABLE FOR ALL POSITION MOUNTING.
 3- MOTOR CANNOT BE FIELD CONVERTED FROM F1 TO F2 MOUNTING.



CARACTERISTICAS DE GEOMETRIA Y SIMBOLOS:

—	PLANICIDAD	—	RECTITUD
∠	ANGULARIDAD	⊥	PERPENDICULARIDAD (A ESCUADRA)
∥	PARALELISMO	○	REDONDEZ (CIRCULARIDAD)
⊘	CILINDRICIDAD	⊖	PERFIL DE CUALQUIER SUPERFICIE
⌒	PERFIL DE CUALQUIER LINEA	⬆	VARIACION
⊕	POSICION REAL	⊙	CONCENTRICIDAD
≡	SIMETRIA		

A MENOS QUE SE ESPECIFIQUE DE OTRA MANERA, LAS TOLERANCIAS DE LAS DIMS, SON LAS SIGUIENTES:

PULG	±.1	±.02	±.005	±.0005
mm	±0.5	±0.13	±0.013	

ANG ±.50 GRADOS
 ELIMINAR REBABAS Y ORILLAS FILOSAS DEL BORDE.
 FILETEAR ESQUINA: PULG .020 mm 0.5
 MAQUINAR SUPERFICIES
 PULG 125 mm 3.2

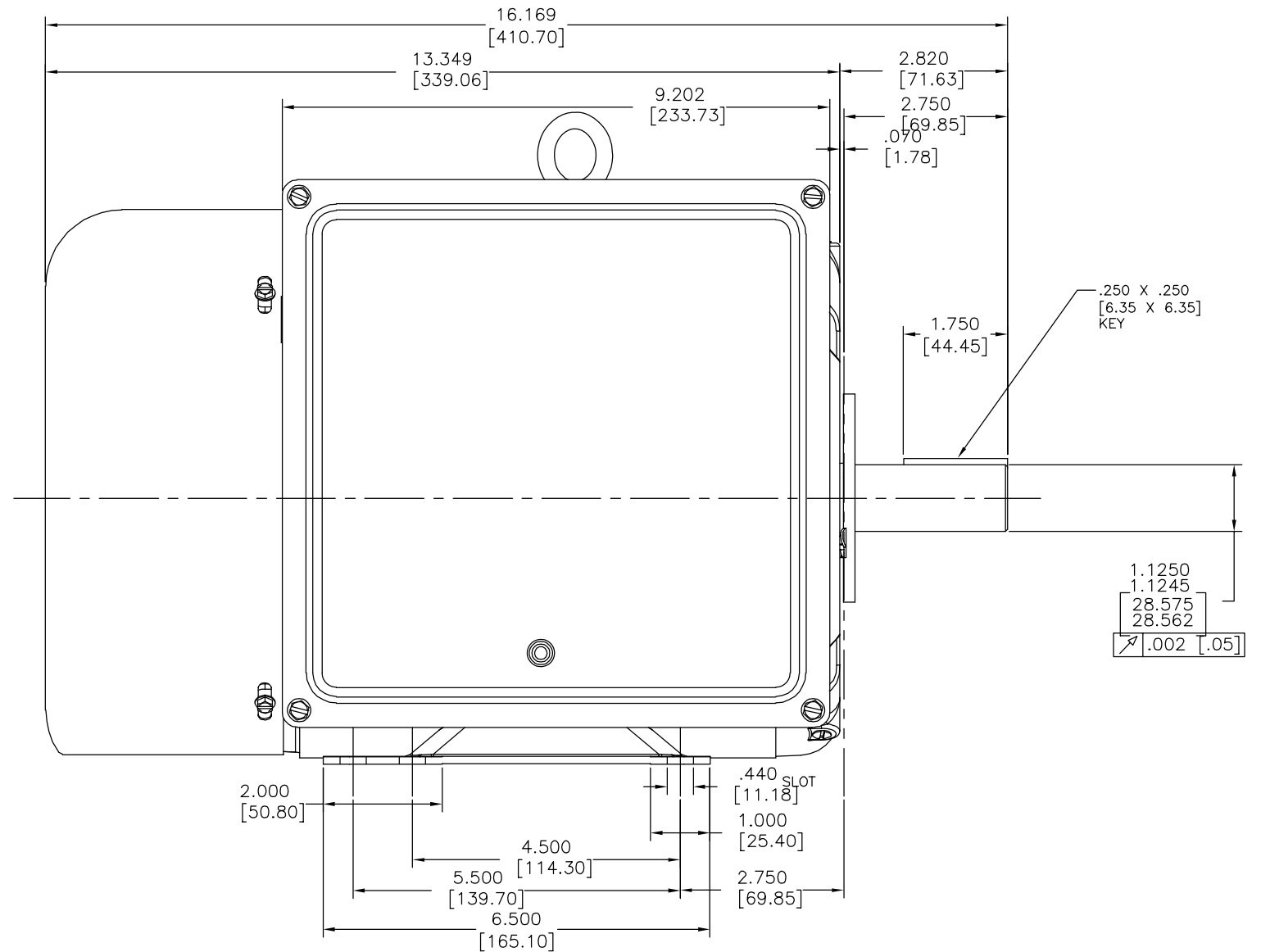
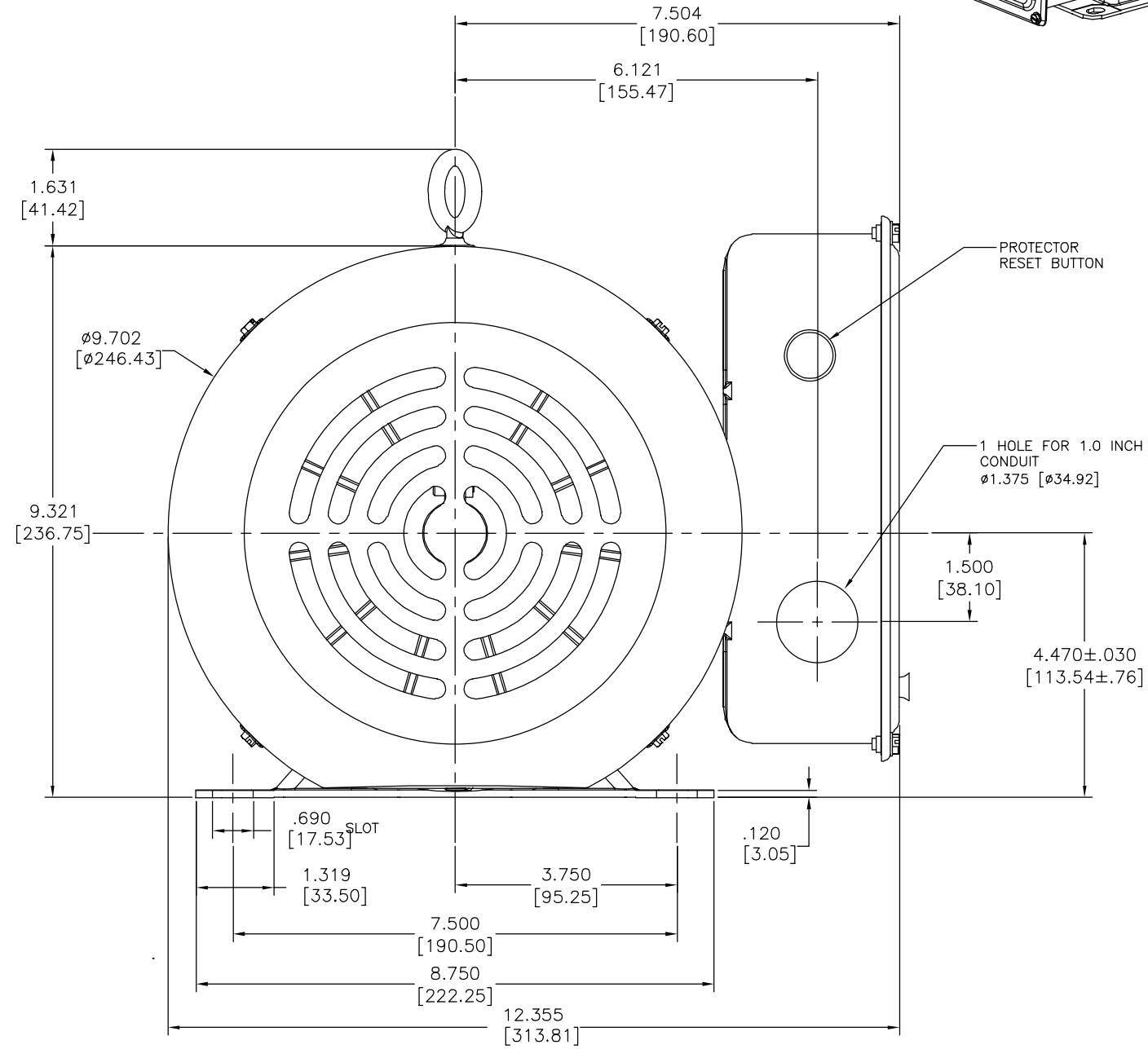
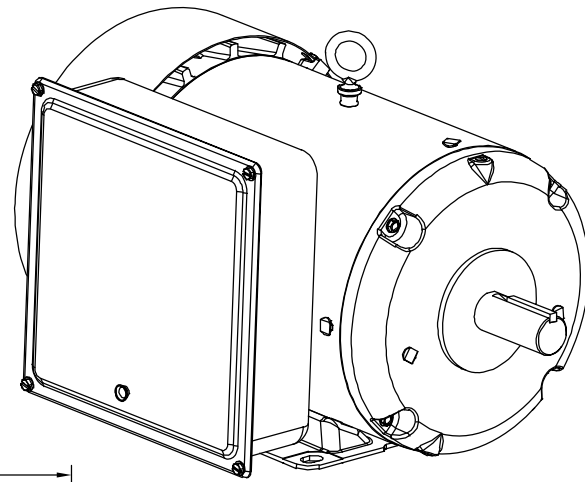
DIMS METRICAS MOSTRADAS [PARENTESIS]

DIBUJADO POR:	P.WILSON	04-24-2006
APROBADO POR:	P.WILSON	07-10-2006
TERCER ANGULO DE PROYECCION		FECHA EDS: 11-11-2011 REV. FORMATO: G

REGAL-BELOIT CORPORATION	
DESCRIPCION:	OUTLINE
TAMAÑO: D	NUMERO DE DIBUJO: 20170001-001
ESCALA: NONE	HOJA: 1

版本	ECO	编制	日期	批准	日期
C	0025429	L. BERNAL	04-16-2012	D. BALDERRAMA	04-16-2012

NOTES:
 1- SINGLE PHASE TEFC RIGID BASE S182T OR S184T MOUNTING.
 2- MOTOR IS SUITABLE FOR ALL POSITION MOUNTING.
 3- MOTOR CANNOT BE FIELD CONVERTED FROM F1 TO F2 MOUNTING.



形位公差	除另有注明
— 平面度	尺寸公差如下:
— 直线度	英寸 ±.1 ±.02 ±.005 ±.0005
— 倾斜度	毫米 ±0.5 ±0.13 ±0.013
— 垂直度	角度 ±.50 度
— 平行度	清理毛刺和尖棱
— 圆度	英寸 .003-.015 毫米 0.1-0.4
— 圆柱度	内圆角
— 面轮廓度	英寸 .020 毫米 0.5
— 线轮廓度	表面粗糙度
— 圆跳动	英制 125 米制 3.2
— 位置度	米制尺寸显示在 []
— 同轴度	
— 对称度	

ASME Y14.5M 1994

绘图:	P.WILSON	04-24-2006
批准:	P.WILSON	07-10-2006
第三角投影		图框格式发布日期 11-11-2011 图框格式版本 G
机密: 本图纸及相关信息所有权归REGAL-BELOIT CORPORATION 未经REGAL-BELOIT CORPORATION书面授权, 不得泄露、 复制、传播或作其他用途。—版权所有		

名称	OUTLINE
图幅	D
图号	20170001-001
比例	NONE
页号	1