

PRODUCT INFORMATION PACKET



Model No: M6C17FC14K

Catalog No: 110494.00

1HP..1725RPM.56.TEFC./V.1PH.60HZ.CONT.MANUAL.40C.1.15SF.ROUND.AG - FARM DUTY/GENERAL PURPOSE.M6C17FC14K

Agricultural



Regal and Leeson are trademarks of Regal Beloit Corporation or one of its affiliated companies.

©2018 Regal Beloit Corporation, All Rights Reserved. MC017097E



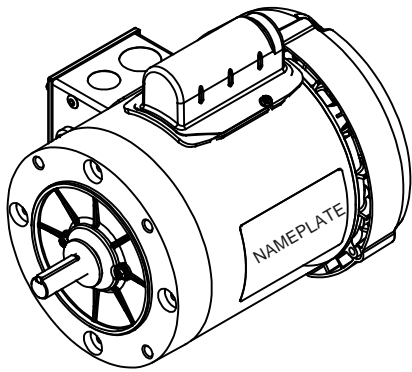
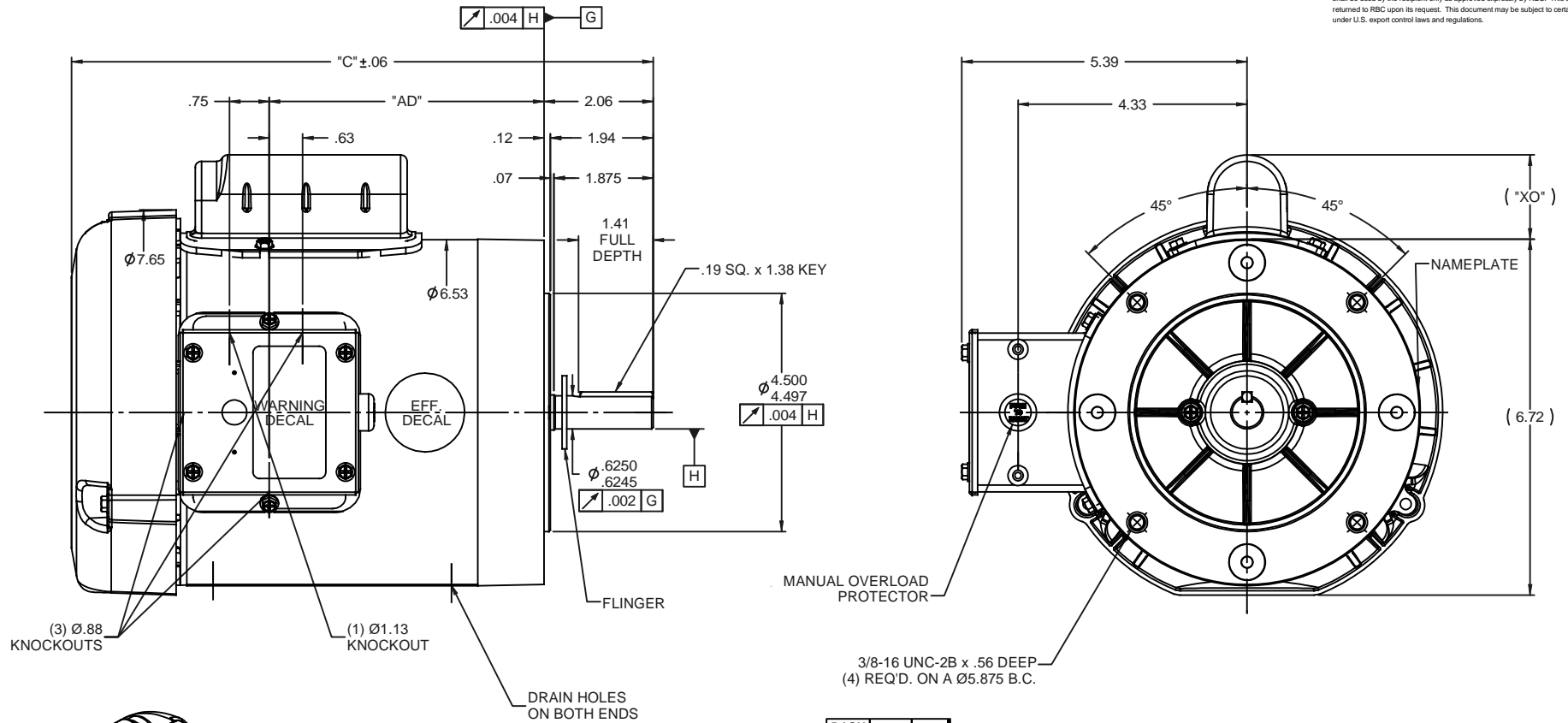


Nameplate Specifications

Output HP	1 Hp	Output KW	0.75 kW
Frequency	60 Hz	Voltage	115/208-230 V
Current	14/7 A	Speed	1725 rpm
Service Factor	1.15	Phase	1
Efficiency	74 %	Duty	CONTINUOUS
Insulation Class	F	Design Code	N
KVA Code	K	Frame	56C
Enclosure	TEFC	Overload Protector	MANUAL
Ambient Temperature	40 °C	Drive End Bearing Size	6203
Opp Drive End Bearing Size	6203	UL	Recognized
CSA	Y	CE	N
IP Code	43		

Technical Specifications

Electrical Type	CAP START IND RUN	Starting Method	ACROSS THE LINE
Poles	4	Rotation	SELECTIVE CCW
Mounting	ROUND	Motor Orientation	HORIZONTAL
Drive End Bearing	BALL	Opp Drive End Bearing	BALL
Frame Material	ROLLED STEEL	Shaft Type	STANDARD 56
Overall Length	11.98 in	Frame Length	6.5 in
Shaft Diameter	0.63 in	Shaft Extension	1.88 in
Assembly/Box Mounting	F1 ONLY		
Outline Drawing	028865-650B	Connection Diagram	5003.03



DASH NO.	"C"	"AD"	CAP DASH.	"XO"
550	10.98	5.19		
600	11.48	5.59		
650	11.98	6.19		
700	12.48	6.69	A	1.61
750	12.98	7.19	B	2.08
800	13.48	7.69	C	2.32
850	13.98	8.19		

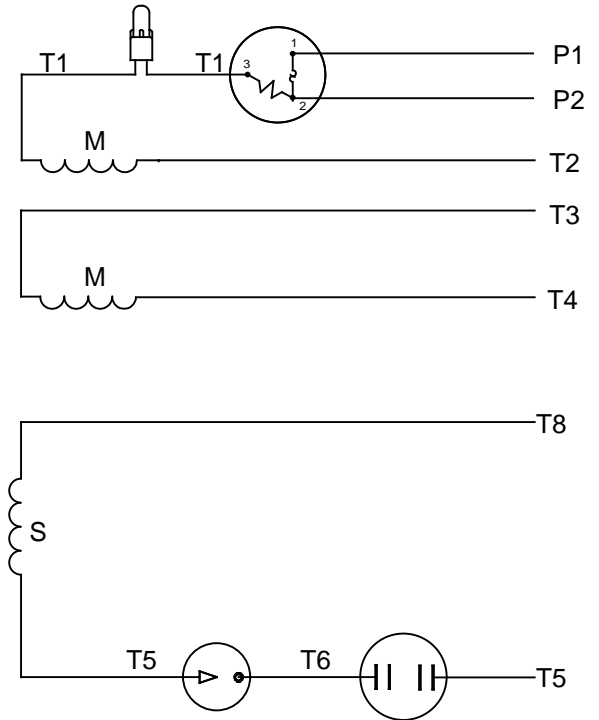
NOTES:
 1) GASKETS THROUGHOUT

REVISION		BY & DATE	CHK	ANG	FINISH	SIZE	DRAWING NO	REV
01	ADDED "XO" TABLE	GRB 12/10/2008	DJ	±.0005	MAT'L	B	028865	01
THIRD ANGLE PROJECTION								
TOLERANCES UNLESS SPECIFIED								
DEC INCHES								
X ±.1								
.XX ±.03								
.XXX ±.005								
.XXXX ±.0005								
RFP 08/18/2008								
PREV								
NETWORK FILE NAME								
TITLE		OUTLINE - 56C FRAME		ELECTRIC MOTORS GEARMOTORS AND DRIVES		DRAWN GRB 08/18/2008		
TEFC - "C" FACE FARM DUTY						CHK DJ 08/18/2008		
						APPR		
						SCALE 1:2		
						REF 033641		
						FMF 110492.00		
						PAGE OF		

VIEW FROM OUTSIDE OF MOTOR AT SWITCH END



LINE LEADS



RBC PROPRIETARY AND CONFIDENTIAL INFORMATION
 This document is the property of REGAL BELOIT CORPORATION ("RBC") including its subsidiaries and divisions and contains proprietary information of RBC. This document is loaned on the express condition that neither it nor the information contained therein shall be disclosed to others without the express written consent of RBC, and that the information shall be used by the recipient only as approved expressly by RBC. This document shall be returned to RBC upon its request. This document may be subject to certain restrictions under U.S. export control laws and regulations.

	ROTATION FACING LEAD END	L1	L2	JOIN	INSULATE SEPARATELY
HIGH VOLT	C.C.W.	P1	T4 T5	T2,T3 T8	P2
	C.W.	P1	T4 T8	T2,T3 T5	P2
LOW VOLT	C.C.W.	P1	T2,T4 T5	P2,T3 T8	---
	C.W.	P1	T2,T4 T8	P2,T3 T5	---

		TOLERANCES UNLESS SPECIFIED		LEESON	ELECTRIC MOTORS GEARMOTORS AND DRIVES	DRAWN	
NO	REVISION	DEC	INCHES			WLV	08/20/79
		.X	±.1			CHK	ADN 08/27/76
		.XX	±.01			APPR	WRK 08/27/76
06	REDRAWN IN SOLIDWORKS	VJB	7/22/2011	.XXX	±.005	TITLE	EXTERNAL WIRING DIAGRAM TYPE "C" W/PROTECTOR
05	REDRAWN ON CAD	DBT	05/27/97	.XXXX	±.0005	MAT'L	DECAL - 004011
				CHK	ANG	±1/2°	FINISH
				RFP	PREV	SIZE	DRAWING NO
						A	005003-03
							REV
							06

