

PRODUCT INFORMATION PACKET



Model No: C6C34NB16J

Catalog No: 111333.00

1HP..3450RPM.56.TENV.115/208-230V.1PH.60HZ.CONT.NOT.40C.1.0SF.RIGID.AG - FAN &
BLOWER.C6C34NB16J

Agricultural



Regal and Leeson are trademarks of Regal Beloit Corporation or one of its affiliated companies.

©2018 Regal Beloit Corporation, All Rights Reserved. MC017097E



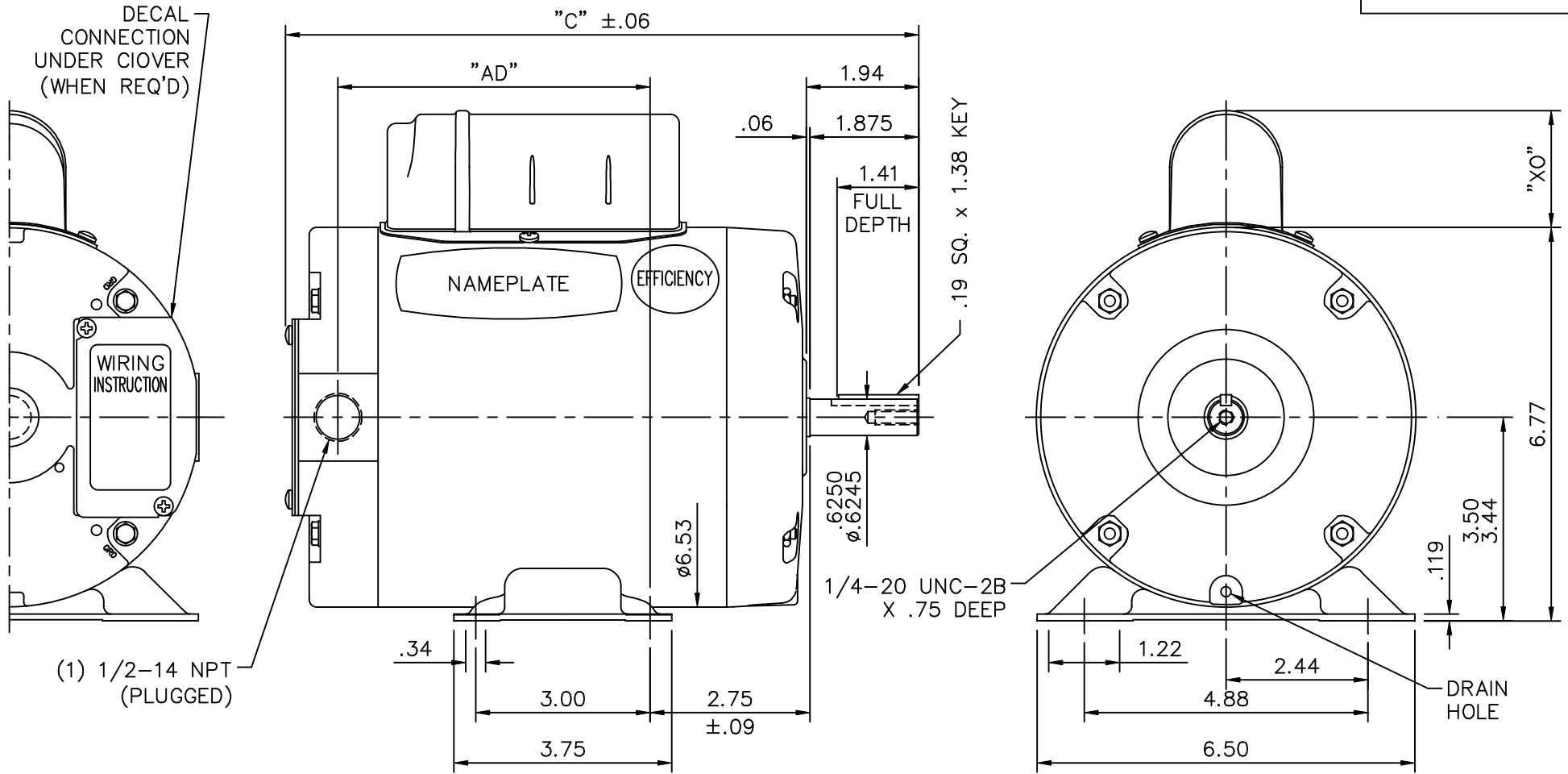


Nameplate Specifications

Output HP	1 Hp	Output KW	0.75 kW
Frequency	60 Hz	Voltage	115/208-230 V
Current	12/6.2-6 A	Speed	3450 rpm
Service Factor	1	Phase	1
Efficiency	70 %	Duty	AIROVER
Insulation Class	B	Design Code	N
KVA Code	J	Frame	56Z
Enclosure	TENV	Overload Protector	NOT
Ambient Temperature	40 °C	Drive End Bearing Size	6203
Opp Drive End Bearing Size	6203	UL	Recognized
CSA	Y	CE	N
IP Code	43		

Technical Specifications

Electrical Type	CAP START IND RUN	Starting Method	ACROSS THE LINE
Poles	2	Rotation	SELECTIVE CCW
Mounting	RIGID	Motor Orientation	HORIZONTAL
Drive End Bearing	BALL	Opp Drive End Bearing	BALL
Frame Material	ROLLED STEEL	Shaft Type	SGL SPL EXT
Overall Length	10.9 in	Frame Length	6 in
Shaft Diameter	0.63 in	Shaft Extension	1.87 in
Assembly/Box Mounting	F1 ONLY		
Outline Drawing	028597-600B	Connection Diagram	5005.52



DASH NO.	"C"	"AD"	CAP. DASH	"XO"
500	9.90	4.37	A	1.54
550	10.40	4.87	B	2.01
600	10.90	5.37	C	2.25
650	11.40	5.87		

GASKETS THROUGHOUT



ELECTRIC MOTORS
GEARMOTORS
AND DRIVES

DRAWN	RDW 6/28/04
CHK	
APPD	SW 6/28/04
SCALE	3=8
REF	
FMF	
PREV	

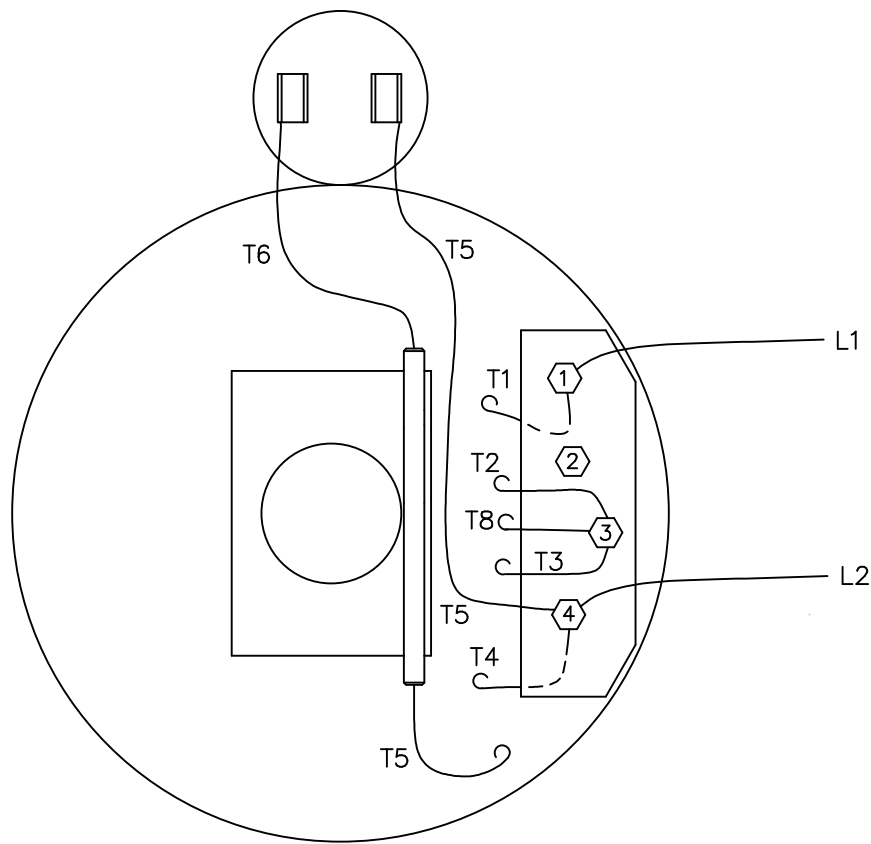
TITLE
OUTLINE - 56Z FRAME
TENV - RIGID

MAT'L.
FAN DUTY

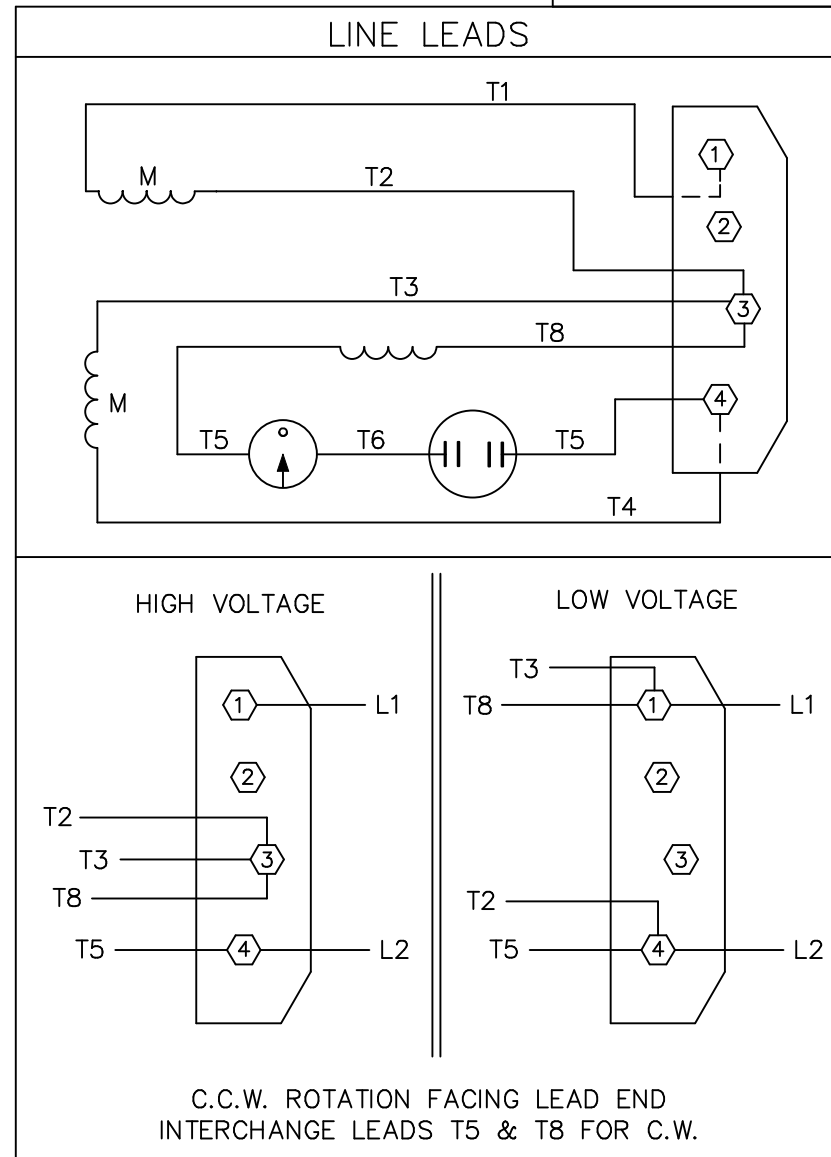
NO.	REVISION	BY & DATE	CHK	TOLERANCES UNLESS SPECIFIED		FINISH
				DEC.	INCHES	
				.X	±.1	
				.XX	±.03	
				.XXX	±.005	
				.XXXX	±.0005	
				ANG	±1/2°	

RFP	6/28/04	CAD FILE	028597	SIZE	DRAWING NO.	REV.
DIST	BRF-NLV			A	028597	


THIS DRAWING IN DESIGN AND DETAIL IS OUR PROPERTY AND MUST NOT BE USED EXCEPT IN CONNECTION WITH OUR WORK ALL RIGHTS OF DESIGN AND INVENTION ARE RESERVED THIS IS AN ELECTRONICALLY GENERATED DOCUMENT - DO NOT SCALE THIS PRINT



VIEW FROM OUTSIDE OF MOTOR AT SWITCH END.



C.C.W. ROTATION FACING LEAD END
INTERCHANGE LEADS T5 & T8 FOR C.W.

				TOLERANCES UNLESS SPECIFIED		 ELECTRIC MOTORS GEARMOTORS AND DRIVES		DRAWN PG 9/14/05		
				DEC.	INCHES			CHK		
				.X	±.1			APPD		
				.XX	±.01			SCALE 1=1		
				.XXX	±.005			REF 005005-24		
				.XXXX	±.0005	MAT'L. DECAL 081209-01		FMF 115950.00		
NO.	REVISION	BY & DATE	CHK	ANG	±1/2'	FINISH	STANDARD	PREV		
THIS DRAWING IN DESIGN AND DETAIL IS OUR PROPERTY AND MUST NOT BE USED EXCEPT IN CONNECTION WITH OUR WORK ALL RIGHTS OF DESIGN AND INVENTION ARE RESERVED THIS IS AN ELECTRONICALLY GENERATED DOCUMENT - DO NOT SCALE THIS PRINT				RFP		CAD FILE	00500552	SIZE	DRAWING NO.	REV.
				DIST				A	005005-52	