

PRODUCT INFORMATION PACKET



Model No: P145K34DB1D

Catalog No: 120554.00

..5HP..3450RPM.145T.DP.230V.1PH.60HZ.CONT.40C.1.0SF.RIGID.P145K34DB1D.....COMPRESSOR
DUTY.MANUAL.....

Air Compressor



Regal and Leeson are trademarks of Regal Beloit Corporation or one of its affiliated companies.

©2018 Regal Beloit Corporation, All Rights Reserved. MC017097E



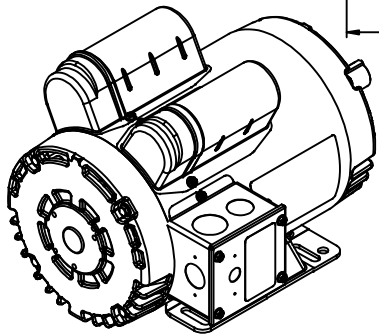
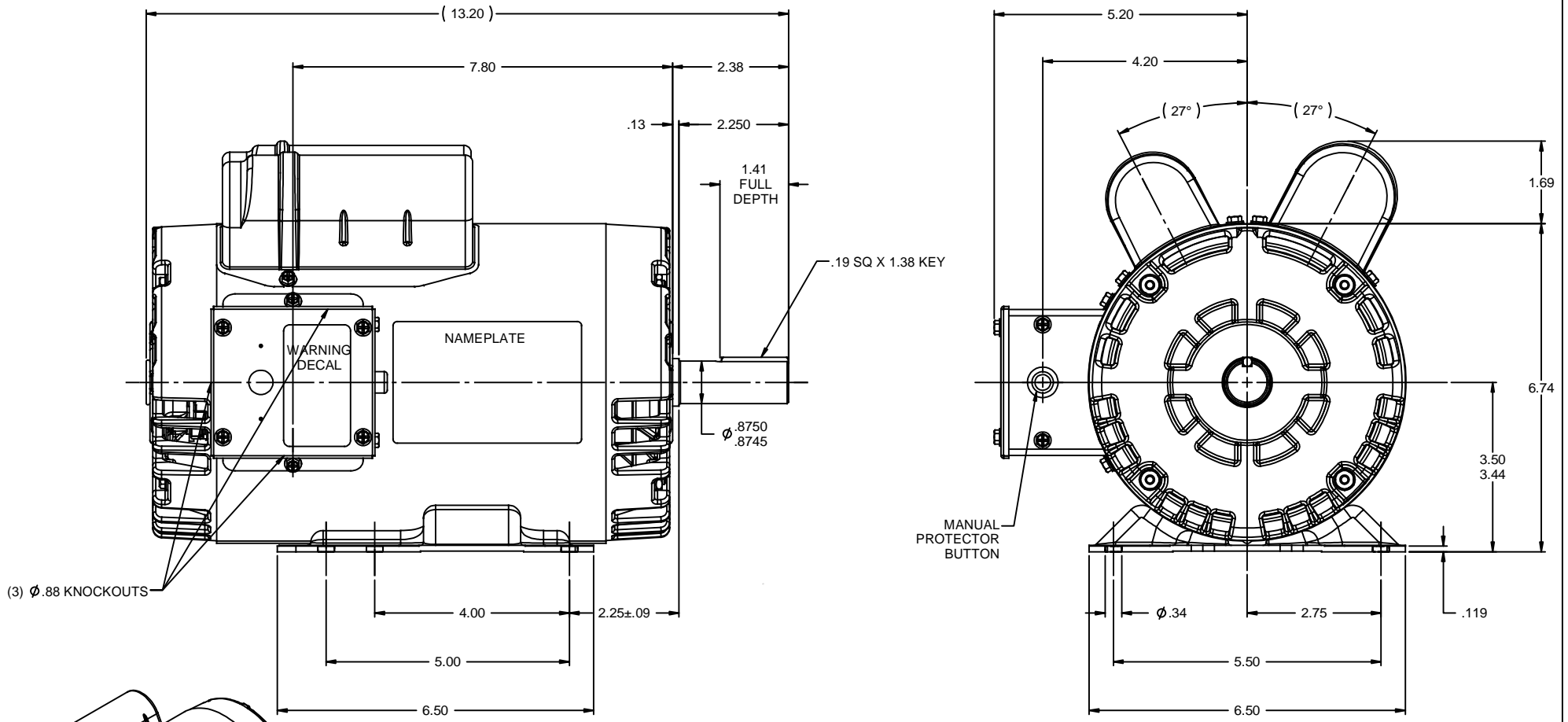


Nameplate Specifications

Output HP	5 Hp	Output KW	3.7 kW
Frequency	60 Hz	Voltage	230 V
Current	20.8 A	Speed	3450 rpm
Service Factor	1	Phase	1
Efficiency	82.5 %	Duty	CONTINUOUS
Insulation Class	F	Design Code	L
KVA Code	E	Frame	145T
Enclosure	DP	Overload Protector	MANUAL
Ambient Temperature	40 °C	Drive End Bearing Size	6205
Opp Drive End Bearing Size	6203	UL	Recognized
CSA	Y	CE	N
IP Code	22		

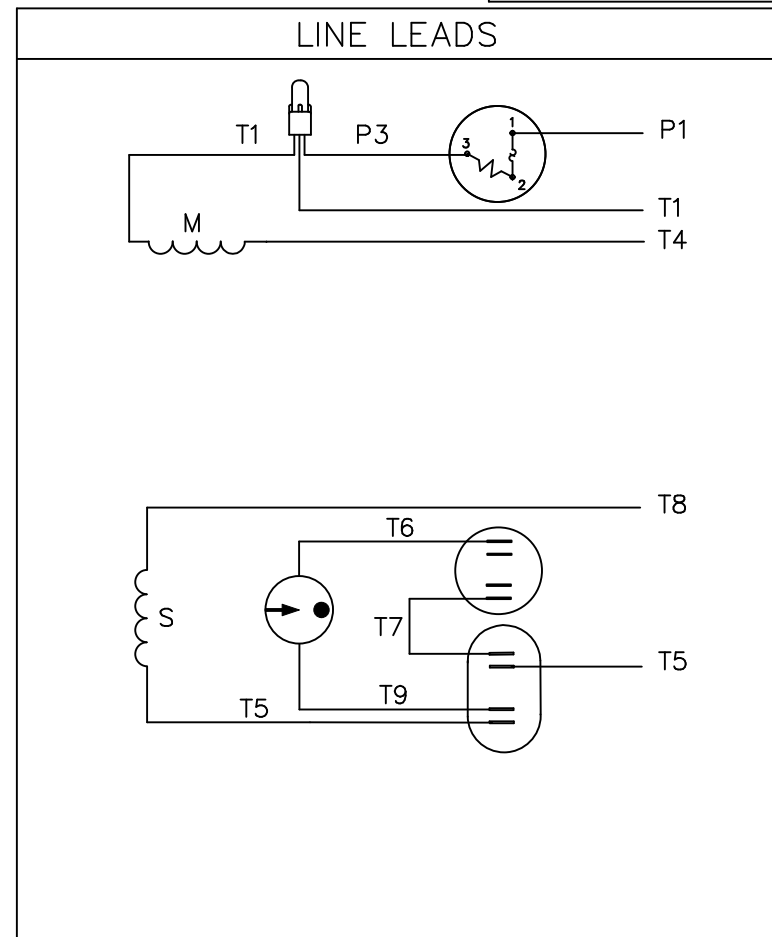
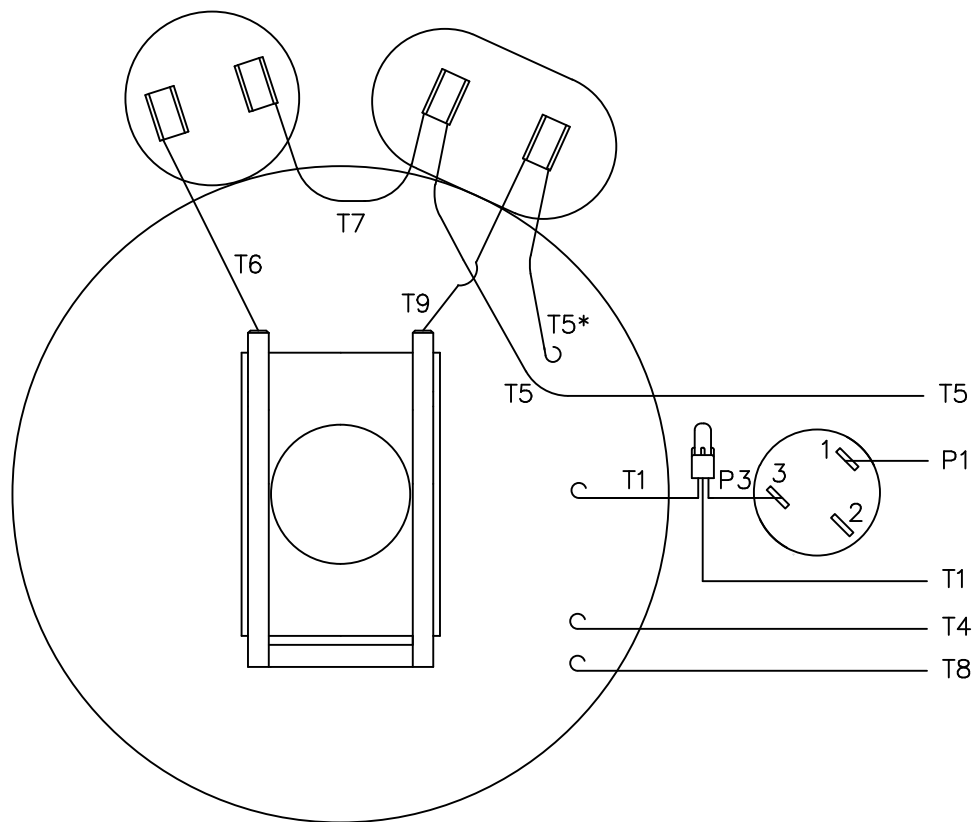
Technical Specifications

Electrical Type	CAP START CAP RUN	Starting Method	ACROSS THE LINE
Poles	2	Rotation	SELECTIVE CW
Mounting	RIGID	Motor Orientation	HORIZONTAL
Drive End Bearing	BALL	Opp Drive End Bearing	BALL
Frame Material	ROLLED STEEL	Shaft Type	T
Overall Length	13.2 in	Frame Length	8 in
Shaft Diameter	0.88 in	Shaft Extension	2.25 in
Assembly/Box Mounting	F1 ONLY		
Outline Drawing	28588	Connection Diagram	5056.03



		TOLERANCES UNLESS SPECIFIED		LEESON ELECTRIC MOTORS GEARMOTORS AND DRIVES		DRAWN RDW 06/15/04	
		DEC INCHES				CHK	
		X ±.1				APPR SW 6/15/04	
02	CHANGED TO MYLAR NAMEPLATE, UPDATED TO CURRENT DESIGN & REDRAWN IN SOLIDWORKS PER ISAAC 11-0954	SAD 3/2/2011	GWS XX ±.03	TITLE	OUTLINE - 140T FRAME	SCALE	1:2
			XXX ±.005		DRIP PROOF - RIGID	REF	033389
01	ADDED CONNECTION DECAL NOTE TO MATCH BOM	BJB 9/13/04	XXX ±.0005	MATL		FMF	
NO	REVISION	BY & DATE	CHK ANG ±1/2°	FINISH		PAGE	OF
	THIRD ANGLE PROJECTION		RFP	PREV		SIZE	DRAWING NO
			NETWORK FILE NAME	028588		B	028588
							REV
							02

VIEW FROM OUTSIDE OF MOTOR AT SWITCH END.



ROTATION	L1	L2	JOIN
FACING			
LEAD END			
C.C.W.	P1	T4,T5	T1,T8
C.W.	P1	T4,T8	T1,T5

* THIS LEAD MAY BE WHITE

		TOLERANCES UNLESS SPECIFIED		LEESON	ELECTRIC MOTORS GEARMOTORS AND DRIVES	DRAWN	WLW 08/30/76	
		DEC.	INCHES			CHK	WRK 09/24/76	
		.X	±.1			APPD		
08	ALTERNATE T5 LEAD MARKING WAS RED	RLW 8/6/02	.XX	±.01	TITLE	EXTERNAL WIRING DIAGRAM	SCALE 1=1	
07	ADDED ALTERNATE T5 LEAD MARKING	RLW 5/31/02	KH	.XXX	±.005	TITLE	EXTERNAL WIRING DIAGRAM	
06	REDRAWN TO CAD	DBT 5/31/02		.XXXX	±.0005	MAT'L.	DECAL - 004015	
NO.	REVISION	BY & DATE	CHK	ANG	±1/2'	FINISH	PREV	
THIS DRAWING IN DESIGN AND DETAIL IS OUR PROPERTY AND MUST NOT BE USED EXCEPT IN CONNECTION WITH OUR WORK ALL RIGHTS OF DESIGN AND INVENTION ARE RESERVED THIS IS AN ELECTRONICALLY GENERATED DOCUMENT - DO NOT SCALE THIS PRINT			RFP	CAD FILE 00505603		SIZE	DRAWING NO.	REV.
			DIST	BRF-NLV	A	005056-03	08	