

PRODUCT INFORMATION PACKET



Model No: C184K34DB3B

Catalog No: 131616.00

5HP..3500RPM.184.DP./208-230V.1PH.60HZ.CONT.NOT.40C.1.15SF.RIGID.GENERAL
PURPOSE.C184K34DB3B

Open Drip Proof (ODP)



Regal and Leeson are trademarks of Regal Beloit Corporation or one of its affiliated companies.

©2018 Regal Beloit Corporation, All Rights Reserved. MC017097E





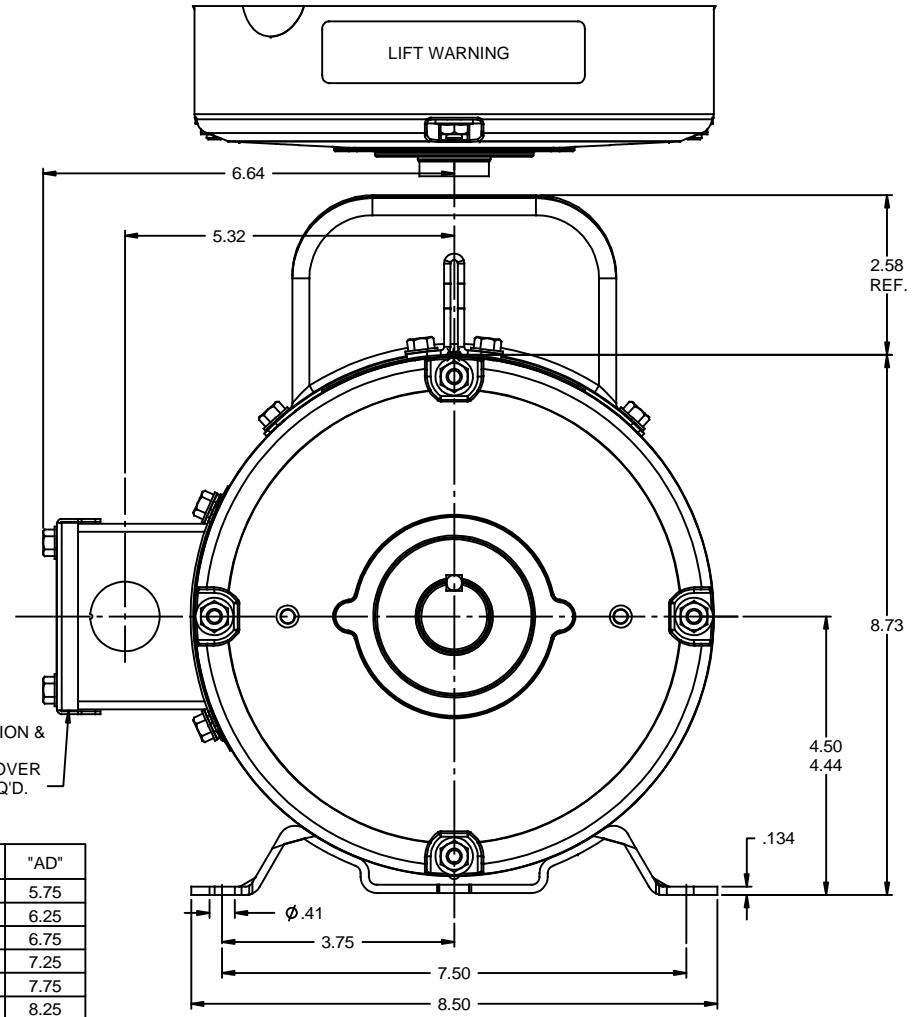
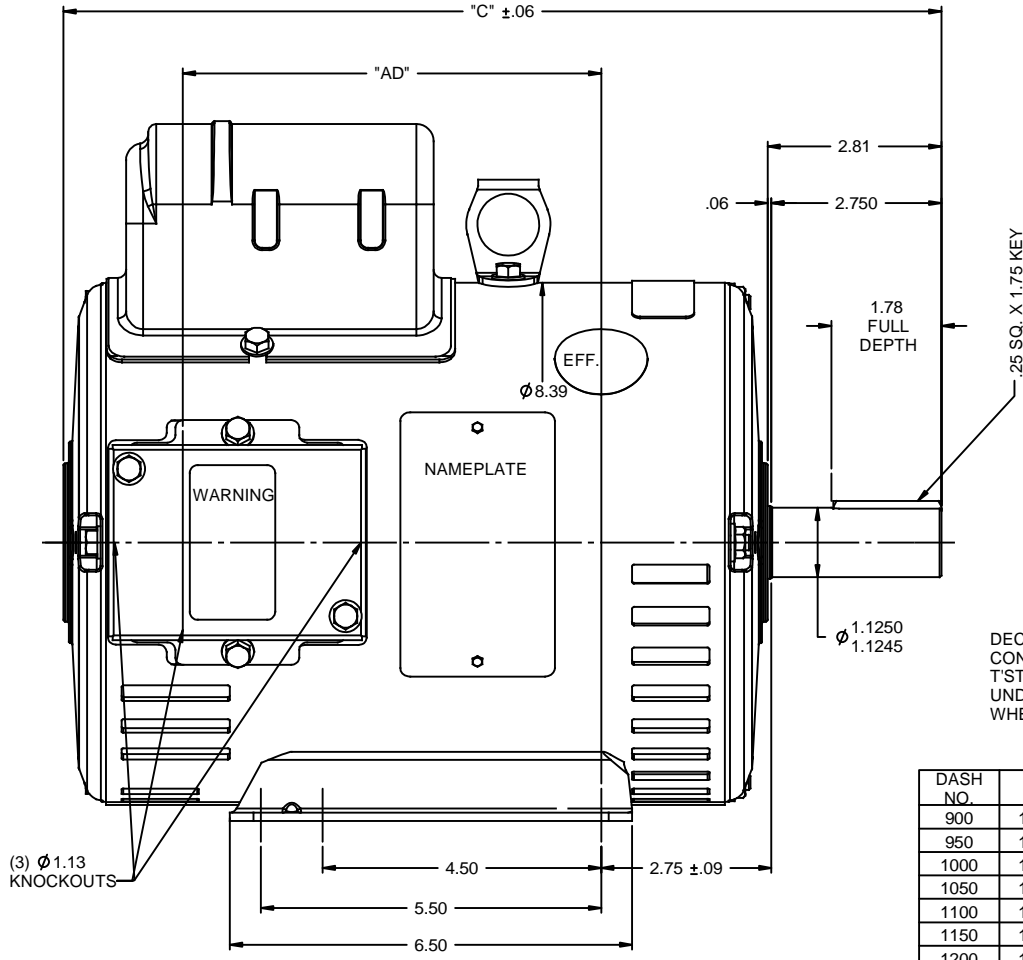
Nameplate Specifications

Output HP	5 Hp	Output KW	3.7 kW
Frequency	60 Hz	Voltage	208-230 V
Current	24-22 A	Speed	3500 rpm
Service Factor	1.15	Phase	1
Efficiency	80 %	Duty	CONTINUOUS
Insulation Class	F	Design Code	L
KVA Code	G	Frame	MX184T
Enclosure	DP	Overload Protector	NOT
Ambient Temperature	40 °C	Drive End Bearing Size	6206
Opp Drive End Bearing Size	6205	UL	Recognized
CSA	Y	CE	N
IP Code	22		

Technical Specifications

Electrical Type	CAP START CAP RUN	Starting Method	ACROSS THE LINE
Poles	2	Rotation	SELECTIVE CCW
Mounting	RIGID	Motor Orientation	HORIZONTAL
Drive End Bearing	BALL	Opp Drive End Bearing	BALL
Frame Material	ROLLED STEEL	Shaft Type	T
Overall Length	14.69 in	Frame Length	10.5 in
Shaft Diameter	1.13 in	Shaft Extension	2.75 in
Assembly/Box Mounting	F1 ONLY		
Outline Drawing	035370-1050	Connection Diagram	5018.01

RBC PROPRIETARY AND CONFIDENTIAL INFORMATION
 This document is the property of REGAL BELOIT CORPORATION ("RBC") including its subsidiaries and divisions and contains proprietary information of RBC. This document is loaned on the express condition that neither it nor the information contained therein shall be disclosed to others without the express written consent of RBC, and that the information shall be used by the recipient only as approved expressly by RBC. This document shall be returned to RBC upon its request. This document may be subject to certain restrictions under U.S. export control laws and regulations.



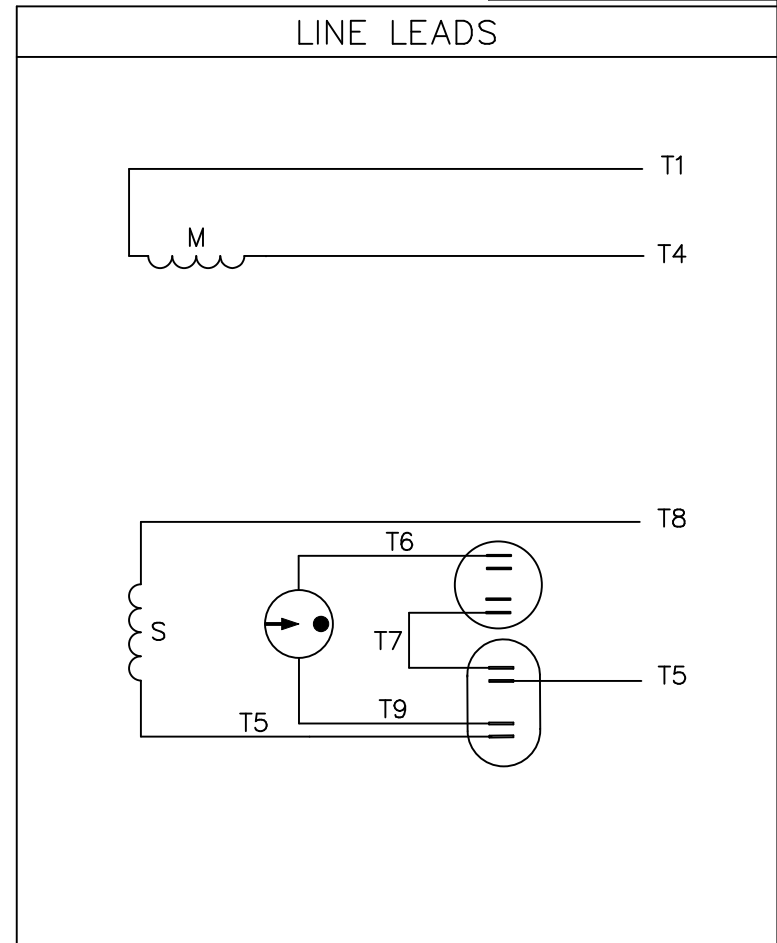
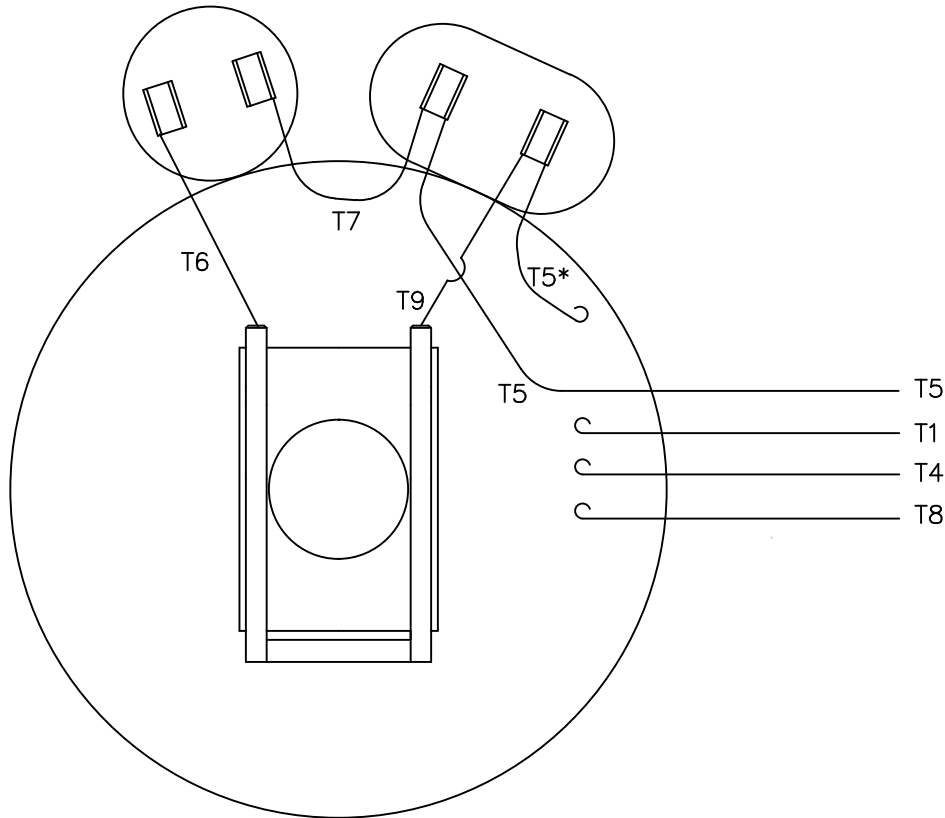
DASH NO.	"C"	"AD"
900	13.19	5.75
950	13.69	6.25
1000	14.19	6.75
1050	14.69	7.25
1100	15.19	7.75
1150	15.69	8.25
1200	16.19	8.75
1250	16.69	9.25

DECAL- CONNECTION & T'STATS. UNDER COVER WHEN REQ'D.

GASKETS THROUGHOUT

		TOLERANCES UNLESS SPECIFIED:		DRAWN PG 10/02/97	
		DEC	INCHES	CHK	
		X	±.1	APPR	
		.XX	±.03	SCALE 1:2	
		.XXX	±.005	REF	
- UPDATED & REDRAWN IN SOLIDWORKS		LST 12/23/2009	XX .XXX	MAT'L	FMF
NO REVISION		BY & DATE	CHK ANG ±1/2°	FINISH	PAGE OF
THIRD ANGLE PROJECTION		RFP	PREV	SIZE	DRAWING NO
		NETWORK FILE NAME		B	035370
				REV	-

VIEW FROM OUTSIDE OF MOTOR AT SWITCH END.



ROTATION FACING LEAD END	L1	L2
C.C.W.	T1,T8	T4,T5
C.W.	T1,T5	T4,T8

* THIS LEAD MAY BE WHITE

NO.	REVISION	BY & DATE	CHK	TOLERANCES UNLESS SPECIFIED	
				DEC.	INCHES
				.X	±.1
20	ALTERNATE T5 LEAD MARKING WAS RED	RLW 7/22/02	KH	.XX	±.01
19	ADDED ALTERNATE T5 LEAD MARKING	RLW 5/31/02	KH	.XXX	±.005
18	REDRAWN ON CAD	DBT 06/24/97		.XXXX	±.0005
				ANG	±1/2°



ELECTRIC MOTORS
GEARMOTORS
AND DRIVES

DRAWN	ADH 02/19/74
CHK	WRK 02/20/74
APPD	JCW 02/20/74
SCALE	1=1
REF	
FMF	
PREV	

TITLE	EXTERNAL WIRING DIAGRAM TYPE "K" W/O PROTECTOR
MAT'L.	DECAL - 004018
FINISH	

THIS DRAWING IN DESIGN AND DETAIL IS OUR PROPERTY AND MUST NOT BE USED EXCEPT IN CONNECTION WITH OUR WORK ALL RIGHTS OF DESIGN AND INVENTION ARE RESERVED THIS IS AN ELECTRONICALLY GENERATED DOCUMENT - DO NOT SCALE THIS PRINT			RFP	CAD FILE	00501801	SIZE	DRAWING NO.	REV.
			DIST	BRF-NLV		A	005018-01	20