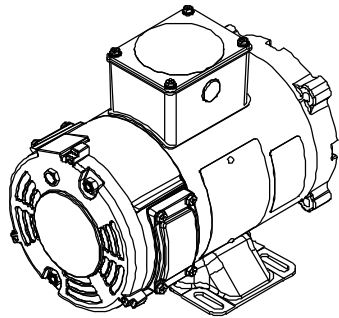
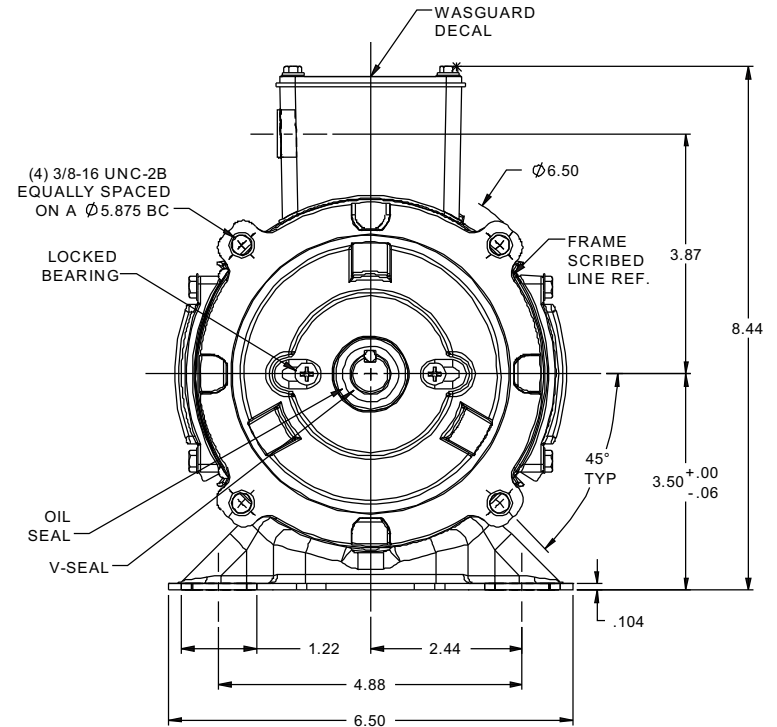
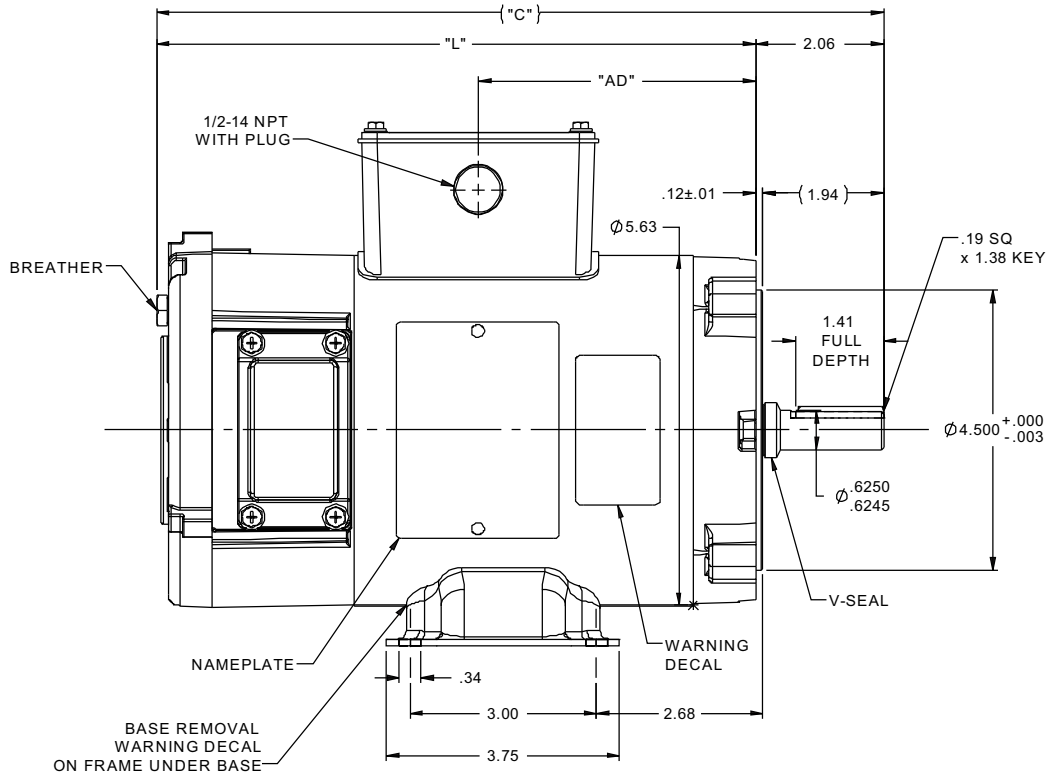


RBC PROPRIETARY AND CONFIDENTIAL INFORMATION  
 This document is the property of REGAL BELOIT CORPORATION ("RBC") including its subsidiaries and divisions and contains proprietary information of RBC. This document is loaned on the express condition that neither the information contained therein shall be disclosed to others without the express written consent of RBC, and that the information shall be used by the recipient only as approved expressly by RBC. This document shall be returned to RBC upon request. This document may be subject to certain restrictions under U.S. export control laws and regulations.



108424.00	11.67	9.61	4.46	90	1/3	1750
108423.00	10.67	8.61	3.46	90	1/4	1750
108229.00	14.17	12.11	6.96	180	3/4	1750
108228.00	14.67	12.61	7.46	90	3/4	1750
108227.00	13.67	11.61	6.46	180	1/2	1750
108226.00	13.17	11.11	5.96	90	1/2	1750
CATALOG No.	"C"	"L"	"AD"	VOLTS	H.P.	RPM

- NOTES:  
 1) MAXIMUM FACE RUNOUT .004 T.I.R.  
 2) MAXIMUM PILOT ECCENTRICITY .004 T.I.R.  
 3) PERMISSIBLE SHAFT RUNOUT .002 T.I.R.  
 4) GASKETS THROUGHOUT.

		TOLERANCES UNLESS SPECIFIED		LEESON ELECTRIC MOTORS GEARMOTORS AND DRIVES		DRAWN IPG 12/1/08	
		DEC	INCHES			CHK	SK 12/1/08
		X	±.1			APPR	
02	UPDATED BREATHER LOCATION, ISAAC 12-5636	IPG	2/7/2013	XX	±.03	TITLE	OUTLINE
01	ADDED CATALOG 108229.00 TO TABLE.	RPB	1/30/2009	BC	XXX ±.005		48 FRAME DC
00	RELEASED	IPG	12/1/2008	SK	XXXX ±.0005	MAT'L	
NO	REVISION	BY & DATE	CHK	ANG	±1/2°	FINISH	
	THIRD ANGLE PROJECTION		RFP	PREV		SIZE	DRAWING NO
				NETWORK FILE NAME	031900	<b>B</b>	<b>031900</b>
							REV
							<b>02</b>