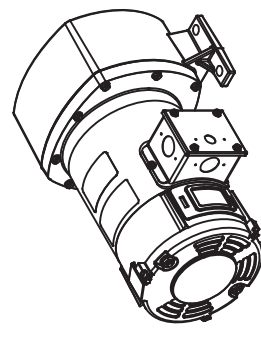
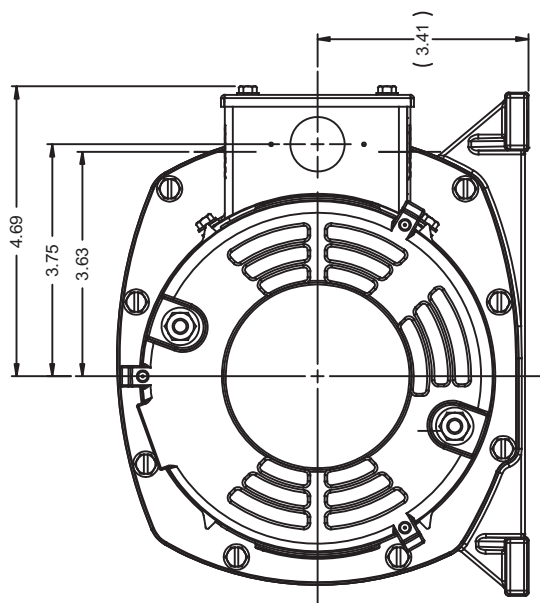
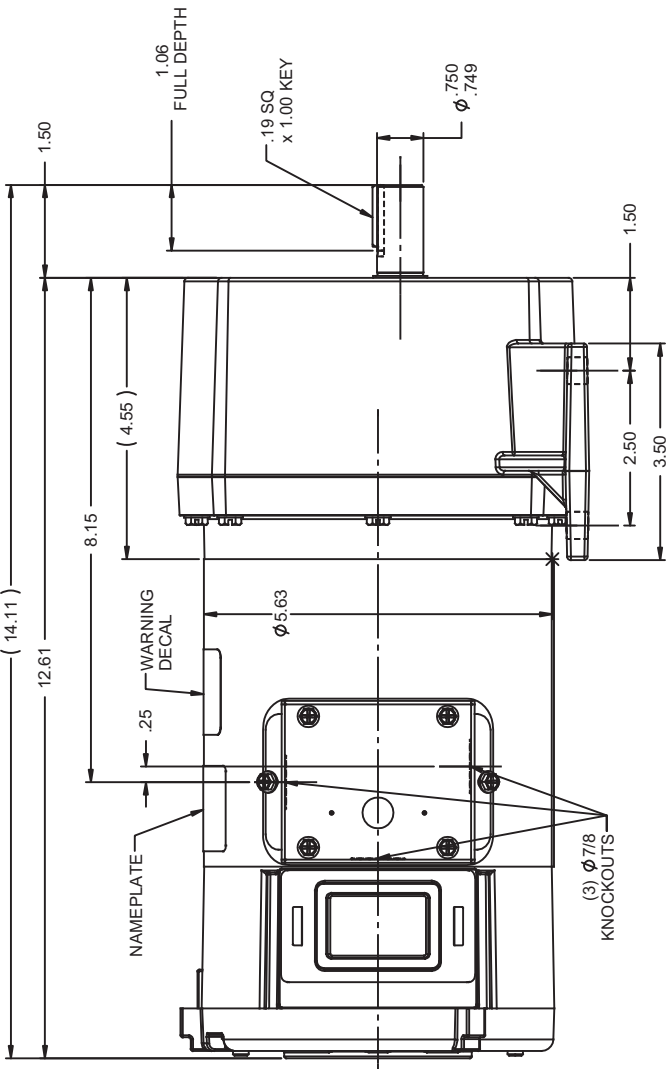
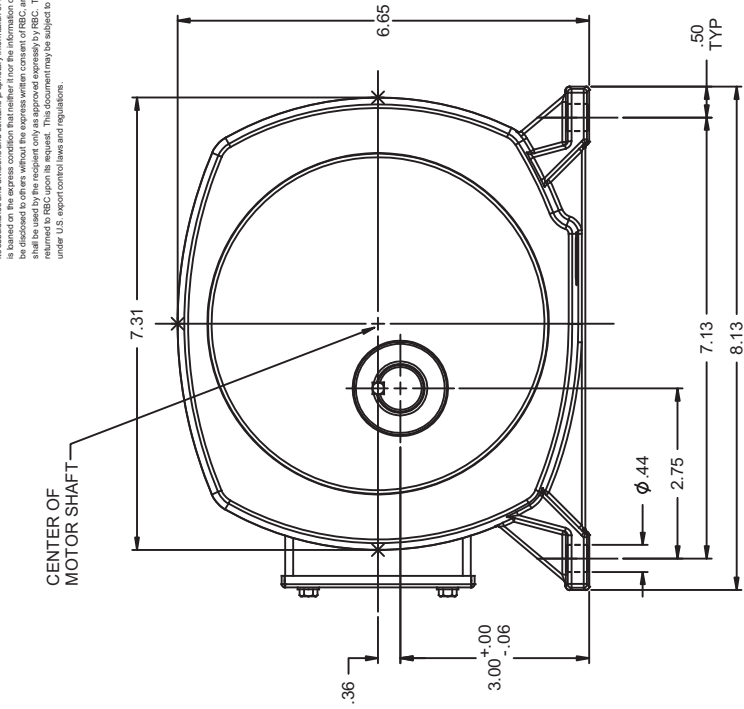


RIC PROPRIETARY AND CONFIDENTIAL INFORMATION
 This document is the property of REGAL BELOIT CORPORATION ("RBC") including its subsidiaries and divisions and contains proprietary information of RBC. This document is loaned to the recipient under the express condition that the information contained therein shall be used solely for the recipient's internal use and shall not be disclosed, copied, or otherwise used for any other purpose without the prior written consent of RBC. This document shall be returned to RBC upon its request. This document may be subject to certain restrictions under U.S. export control laws and regulations.



NOTES:
 1) GEARBOX OIL: MOBIL-MOBIL GEAR 600XP-320

| CATALOG No. | VOLTS | INPUT HP | GEAR RATIO | RPM | F.L. TORQUE (LB-IN) |
|-------------|-------|----------|------------|-----|---------------------|
| 108706.00 | 90 | 1/4 | 13:1 | 135 | 105 |
| 108705.00 | 90 | 1/4 | 19:1 | 92 | 160 |
| 108704.00 | 90 | 1/4 | 29:1 | 60 | 238 |
| 108703.00 | 90 | 1/4 | 42:1 | 42 | 353 |
| 108702.00 | 90 | 1/4 | 95:1 | 18 | 750 |
| 108701.00 | 90 | 1/4 | 143:1 | 12 | 1030 |
| 108700.00 | 90 | 1/4 | 212:1 | 8 | 1087 |

| | | | |
|-----------------------------------|--------------------------|-------------------|------------|
| UNITS: UNLESS OTHERWISE SPECIFIED | | DRAWN: JPG 6/9/10 | |
| INCHES | DECIMALS | CHK | CHK |
| X | ±.1 | APP | APP |
| XX | ±.03 | SCALE | 1:2 |
| XXX | ±.005 | REF | 031210 |
| XXXX | ±.0005 | FIMF | 108700.00 |
| RELEASED: REF. 031210 & 032031 | PG. 6/9/2010 | FINISH | PAGE OF |
| BY & DATE | CHK ANG ±1/2° | REP | REV |
| THIRD ANGLE PROJECTION | NETWORK FILE NAME 032033 | SIZE | DRAWING NO |
| | | B | 032033 |



ELECTRIC MOTORS
 GEAR MOTORS
 AND DRIVES

TITLE OUTLINE
 48 FRAME DC - P1100 GEARBOX
 MATL
 FINISH