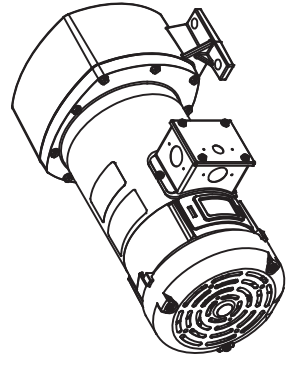
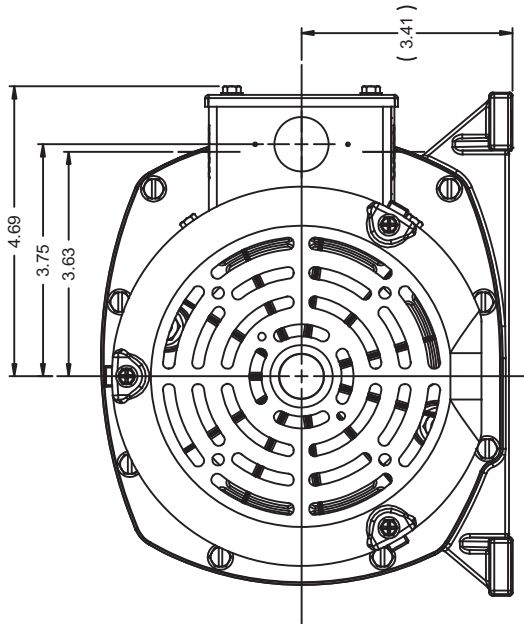
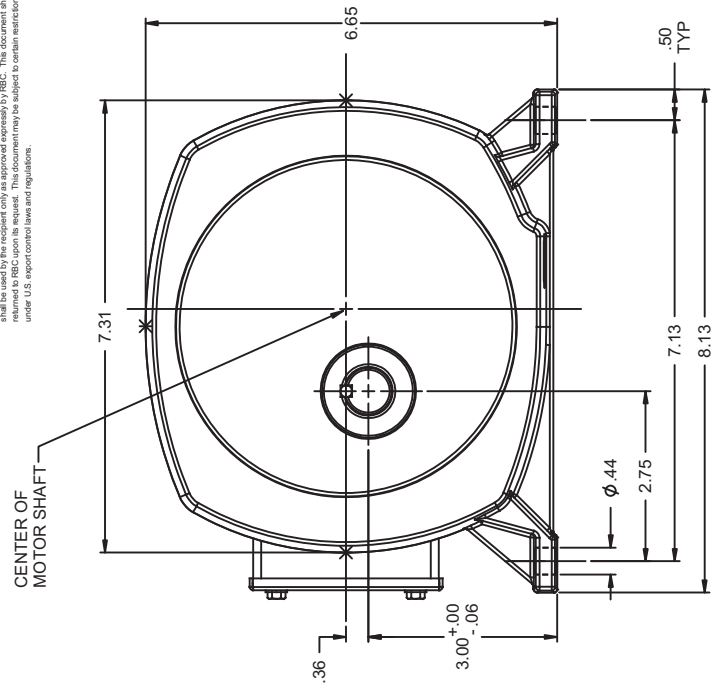
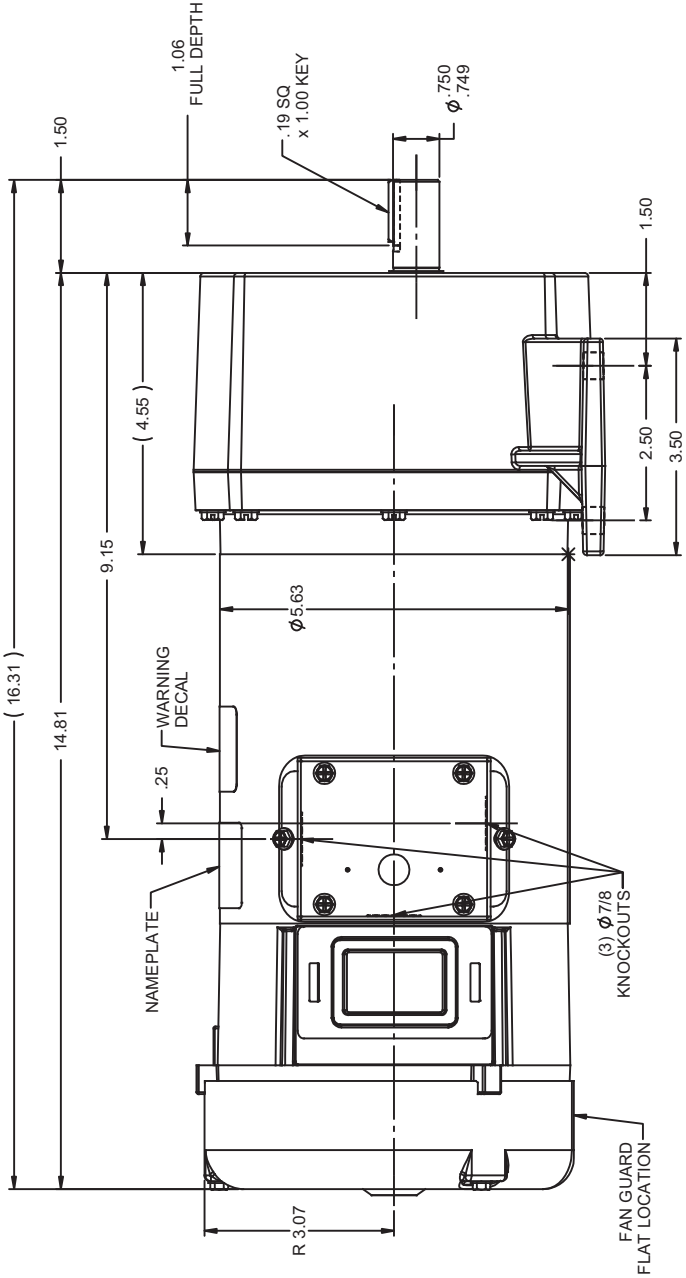


RBC PROPRIETARY AND CONFIDENTIAL INFORMATION
 This document is the property of REGAL BELOIT CORPORATION ("RBC") including its subsidiaries and divisions and contains proprietary information of RBC. This document is loaned on the express condition that neither the information contained herein shall be disclosed, copied, reproduced, or otherwise used for any purpose other than that intended by RBC. This document shall be returned to RBC upon its request. This document may be subject to certain restrictions under U.S. export control laws and regulations.



NOTES:
 1) GEARBOX OIL: MOBIL-MOBIL GEAR 600XP-320

CATALOG No.	VOLTS	INPUT HP	GEAR RATIO	RPM	F.L. TORQUE (LB-IN)
108712.00	90	1/2	13:1	135	210
108711.00	90	1/2	19:1	92	320
108710.00	90	1/2	29:1	60	476
108709.00	90	1/2	42:1	42	705
108708.00	90	1/2	53:1	33	822
108707.00	90	1/2	95:1	18	1112



ELECTRIC MOTORS
 GEARBOXES
 AND DRIVES

NO.	REVISION	BY & DATE	CHK	ANG	±1/2°	FINISH	PAGE	OF	REV
00	RELEASED: REF. 031211 & 031879	PG. 6/2/2010	PG	XXXX	±.0005	MATL	48 FRAME DC - P1-100 GEARBOX	FMF	108709.00
							TITLE OUTLINE	SCALE	1:2
								APP	
								CHK	PG.6/2/10
								DRAWN	IPG.6/2/10



THIRD ANGLE
 PROJECTION

NETWORK FILE NAME: 032031

SIZE: B

DRAWING NO: 032031

REV: 00