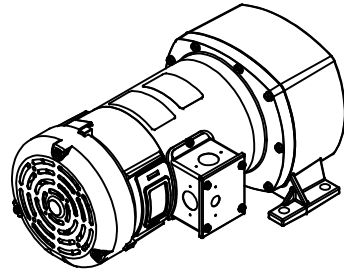
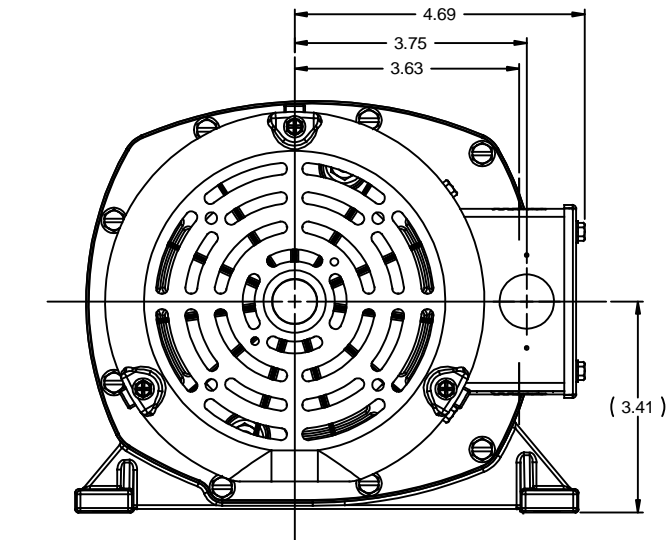
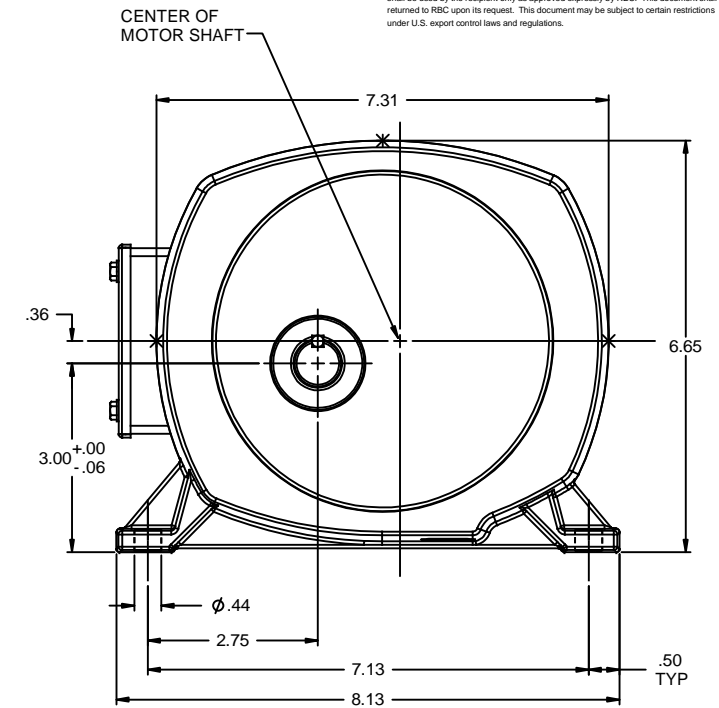
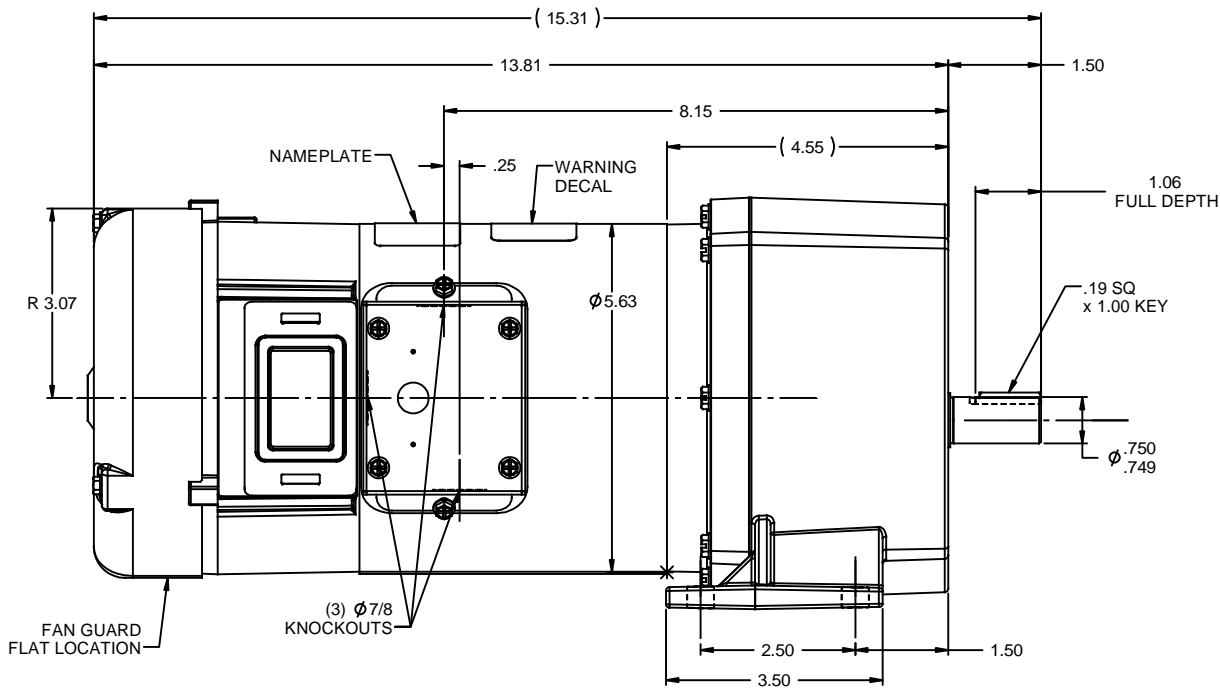


RBC PROPRIETARY AND CONFIDENTIAL INFORMATION
 This document is the property of REGAL BELOIT CORPORATION ("RBC") including its subsidiaries and divisions and contains proprietary information of RBC. This document is loaned on the express condition that neither it nor the information contained therein shall be disclosed to others without the express written consent of RBC, and that the information shall be used by the recipient only as approved expressly by RBC. This document shall be returned to RBC upon its request. This document may be subject to certain restrictions under U.S. export control laws and regulations.



NOTES:
 1) GEARBOX OIL: MOBIL-MOBIL GEAR 600XP-320

CATALOG No.	VOLTS	INPUT HP	GEAR RATIO	RPM	F.L. TORQUE (LB-IN)
108732.00	12	1/2	19:1	92	320
108731.00	12	1/2	42:1	42	705

TOLERANCES UNLESS SPECIFIED		ELECTRIC MOTORS GEARMOTORS AND DRIVES		DRAWN IPG 6/30/10	
DEC	INCHES			CHK	
X	±.1			APPR	
.XX	±.03			SCALE	1:2
.XXX	±.005			REF	032031
00	RELEASED: REF. 032031 & 031613	IPG 6/30/2010	TITLE	OUTLINE	FMF 108731.00
				48 FRAME DC - P1100 GEARBOX	
				MATL	
				FINISH	
NO	REVISION	BY & DATE	CHK ANG	±1/2°	PAGE OF
			RFP	PREV	
	THIRD ANGLE PROJECTION		SIZE	DRAWING NO	REV
			B	032038	00
			NETWORK FILE NAME	032038	