

**A/B-C-D • CAST IRON SHEAVES**



**LEESON offers a comprehensive line of A/B-C-D pulleys for "Quick Detachable" (QD) taper bushings.**

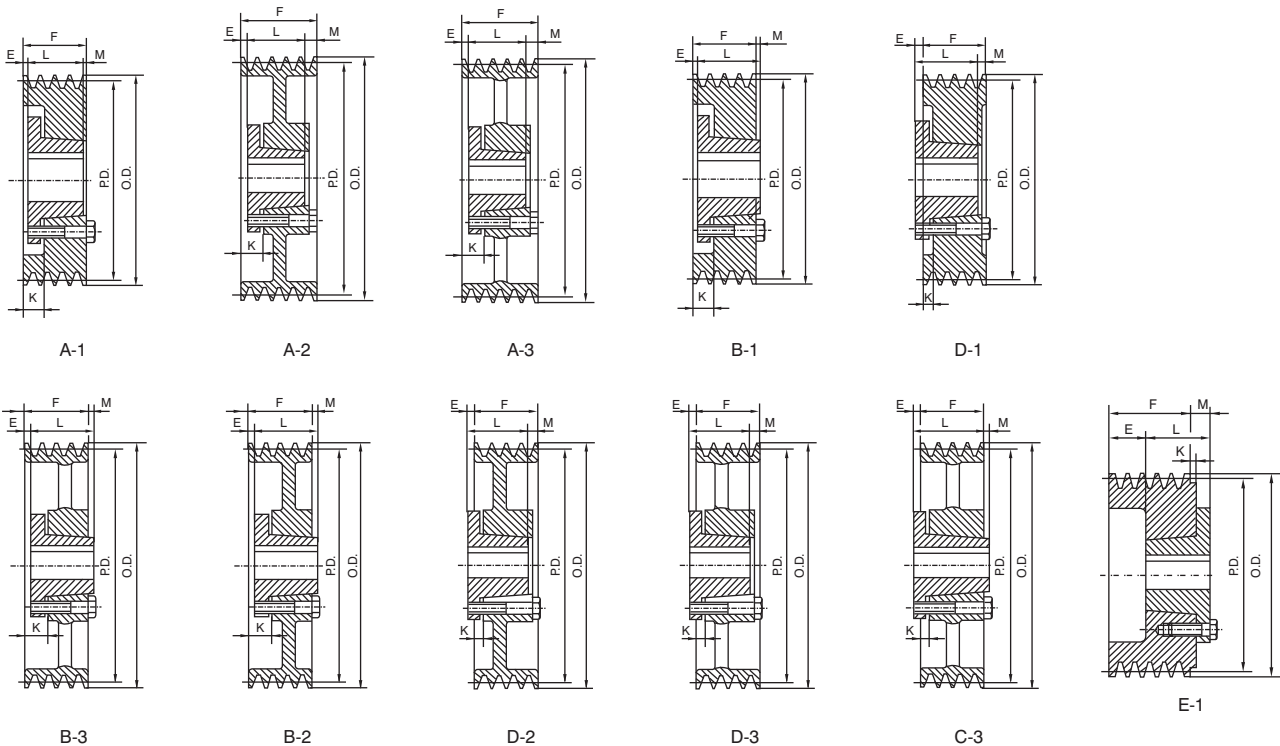
Also referred to as classical V-Belt sheaves each item is made under ISO quality assurance systems.

**Features:**

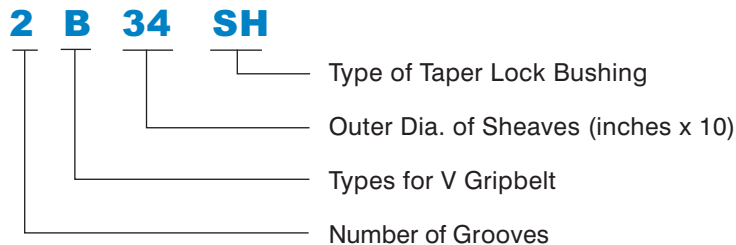
GG25 high performance cast iron

Precision CNC machining

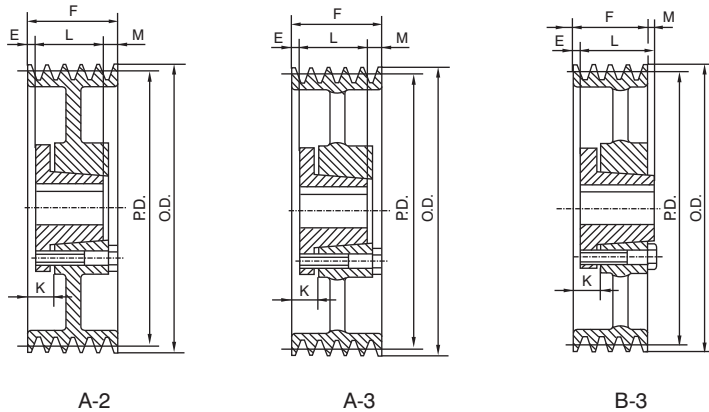
Precision balancing to 06.3



**NOMENCLATURE FOR TAPER-LOCK SHEAVES FOR STANDARD NARROW V BELT**



A/B-C-D



### D-3

**F=4 5/8"(117.48mm)**

Part No.	O.D.	P.D.	Bush Max Bore	Bush	Type	Db	E	K	L	M	Wgt. Less Bush
3 D 120 F	12.60	12.00	3/15/16	F	A2	7	1/2	1 1/2	3/8	1/2	58
3 D 130 F	13.60	13.00	3/15/16	F	A2	7	1/2	1 1/2	3/8	1/2	63
3 D 135 F	14.10	13.50	3/15/16	F	A2	7	1/2	1 1/2	3/8	1/2	68
3 D 140 F	14.60	14.00	3/15/16	F	A2	7	1/2	1 1/2	3/8	1/2	71
3 D 145 F	15.10	14.50	3/15/16	F	A2	7	1/2	1 1/2	3/8	1/2	82
3 D 150 F	15.60	15.00	3/15/16	F	A2	7	1/2	1 1/2	3/8	1/2	86
3 D 155 F	16.10	15.50	3/15/16	F	A2	7	1/2	1 1/2	3/8	1/2	93
3 D 160 F	16.60	16.00	3/15/16	F	A2	7	1/2	1 1/2	3/8	1/2	95
3 D 170 F	17.60	17.00	3/15/16	F	A2	7	1/2	1 1/2	3/8	1/2	99
3 D 180 J	18.60	18.00	4/1/2	J	A3	7 3/4	—	1 3/16	4/1/2	1/8	105
3 D 200 J	20.60	20.00	4/1/2	J	A3	7 3/4	—	1 3/16	4/1/2	1/8	148
3 D 220 J	22.60	22.00	4/1/2	J	A3	7 3/4	—	1 3/16	4/1/2	1/8	164
3 D 270 J	27.60	27.00	4/1/2	J	A3	7 3/4	—	1 3/16	4/1/2	1/8	180
3 D 330 J	33.60	33.00	4/1/2	J	A3	7 3/4	—	1 3/16	4/1/2	1/8	195
3 D 400 J	40.60	40.00	4/1/2	J	A3	7 3/4	—	1 3/16	4/1/2	1/8	260

### D-4

**F=6 1/16"(153.99mm)**

Part No.	O.D.	P.D.	Bush Max Bore	Bush	Type	Db	E	K	L	M	Wgt. Less Bush
4 D 120 F	12.60	12.00	3/15/16	F	A2	7	15/16	25/16	3/8	1 1/8	68
4 D 130 F	13.60	13.00	3/15/16	F	A2	7	15/16	25/16	3/8	1 1/8	78
4 D 135 F	14.10	13.50	3/15/16	F	A2	7	15/16	25/16	3/8	1 1/8	82
4 D 140 F	14.60	14.00	3/15/16	F	A2	7	15/16	25/16	3/8	1 1/8	91
4 D 145 F	15.10	14.50	3/15/16	F	A2	7	15/16	25/16	3/8	1 1/8	95
4 D 150 F	15.60	15.00	3/15/16	F	A2	7	15/16	25/16	3/8	1 1/8	99
4 D 155 F	16.10	15.50	3/15/16	F	A2	7	15/16	25/16	3/8	1 1/8	111
4 D 160 F	16.60	16.00	3/15/16	F	A2	7	15/16	25/16	3/8	1 1/8	122
4 D 170 J	17.60	17.00	4/1/2	J	A2	7 3/4	1 3/8	25/16	4/1/2	3/16	136
4 D 180 J	18.60	18.00	4/1/2	J	A3	7 3/4	1 3/8	25/16	4/1/2	3/16	141
4 D 200 J	20.60	20.00	4/1/2	J	A3	7 3/4	3/8	19/16	4/1/2	13/16	167
4 D 220 J	22.60	22.00	4/1/2	J	A3	7 3/4	3/8	19/16	4/1/2	13/16	183
4 D 270 J	27.60	27.00	4/1/2	J	A3	7 3/4	3/8	19/16	4/1/2	13/16	222
4 D 330 M	33.60	33.00	5/1/2	M	B3	9 1/2	1/2	1 15/16	63/4	13/16	315
4 D 400 M	40.60	40.00	5/1/2	M	B3	9 1/2	1/2	1 15/16	63/4	13/16	337

A/B-C-D