



## R7-RB168

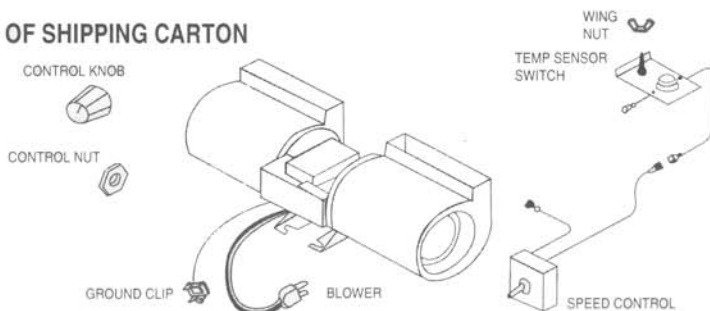
# INSTALLATION & BLOWER OPERATION

### 1. INTRODUCTION

The R7-RB168 Blower has been designed to circulate room air through the fireplace to enhance heat output. The R7-RB168 Blower system operates on 115VAC, 60 Hz power. The power is available through a receptacle in the factory-installed junction box. The control's compartment of the fireplace holds the junction box. Quiet forced airflow at the desired speed is provided by a variable speed control. Also provided with this kit is a temperature sensor switch, which automatically turns the blower ON/OFF

### 2. CHECK CONTENTS OF SHIPPING CARTON

Check to make sure the contents of the carton are the actual parts received. Contact your dealer before starting installation if any parts are missing or damaged. A damaged blower kit is not to be installed.



### 3. INSTALLATION PRECAUTIONS

When installed in accordance with these instructions, the RB168 Blower Kit is tested and safe. Please read all instructions before starting installation. Follow these instructions carefully during installation to assure maximum benefit from the blower, also the safe operation of the blower. This blower is carefully engineered and it must be installed only as specified. You may possibly cause a fire hazard and will void the warranty if you modify it or any of its components. Such action may void the coverage provided by the owner's home insurance.

**CAUTION:** A qualified electrician should do all wiring. The wiring shall be in compliance with local codes and with the National Electric Code ANSI/NFPA No. 70-current (in the U.S.) or with the current CSA C22.1 Canadian Electric Code (in Canada)

**WARNING: DO NOT CONNECT 115VAC WIRING TO THE GAS CONTROL OF THIS FIREPLACE.**

### 4. INSTALLING ELECTRICAL SERVICE TO THE JUNCTION BOX

**WARNING: BEFORE BEGINNING THIS INSTALLATION, TURN ELECTRICAL POWER OFF AT THE CIRCUIT BREAKER.**

1. Remove the electrical cover plate from the lower exterior of the fireplace. The knockout from the plate is to be removed.
2. Feed the 115VAC electrical service wires through the cover plate. Now reattach the cover plate to the outside of the fireplace.
3. To locate the junction box, access the control's compartment of the fireplace.
4. Attach the black wire to the black service wire using the wire nuts. Attach the white wire to the white service wire. Attach the service ground wire to ground stud of the junction box.
5. Attach the junction box to the side of the unit. The rear tab of the box is to be inserted into the rectangular cover plate hole. Push the front end of the box tightly against the side of the unit. Secure the box with sheet metal screws. (Note the hole in the front-end tab).

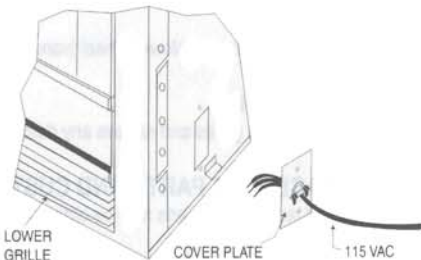


FIG 1.

### 5. INSTALLING THE BLOWER

1. The blower is to be positioned all the way to the rear and center in the fireplace. From the back wall of the fireplace, pull the blower forward 1/8" to 1/4". Plug the blower cord into the blower receptacle FAN on the junction box.

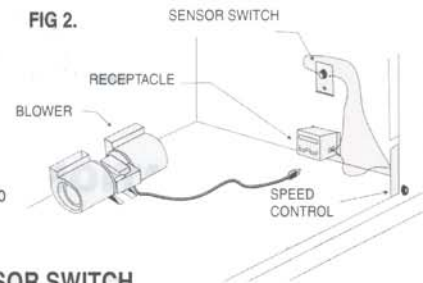


FIG 2.

### 6. INSTALLING THE SPEED CONTROL AND SENSOR SWITCH

1. The knob and locknut from the variable speed control is to be removed. Slide the control behind the fireplace wall, in the lower right front corner, with the stem sticking out of the pre-punched hole. Tightly attach the locknut and reattach the knob on the stem. NOTE: Some models may have a separate mounting bracket on the base pan for mounting this speed control.
2. Remove the glass from the unit. Remove the black coloured plug from the hole on the lower right front side (inside the combustion chamber). On the OUTSIDE of the combustion chamber, slide the temperature sensor switch/bracket assembly into position until the bolt engages the hole vacated by the plug. Secure the bracket assembly with the hex nut provided (Fig.2)

**NOTE:** MODEL EM41: The mounting hole for the sensor switch/bracket assembly is located behind the right side refractory. To gain access to this mounting hole, remove the refractory piece and reinstall the refractory when the sensor switch has been installed.

**NOTE:** The sensor switch/bracket assembly must be installed so that the sensor switch is towards the top of the unit.

3. By plugging in the male to female connectors (Fig.3) connect the variable speed control and the temperature sensor switch to the short lead wires of the junction box.
4. Turn the 115VAC service "ON" at the circuit breaker. Turn the speed control switch to the "ON" position.

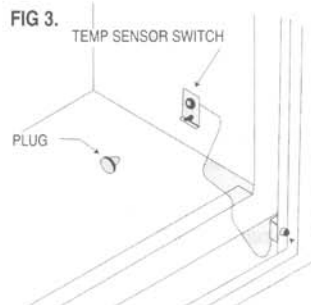


FIG 3.

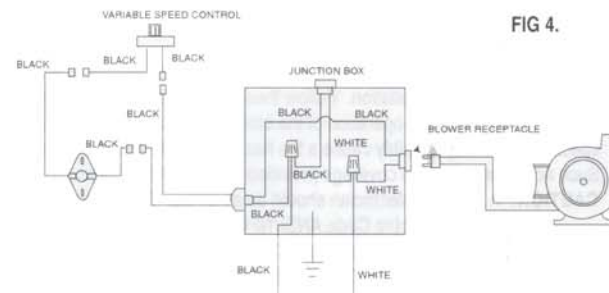


FIG 4.

### 7. RECOMMENDED OPERATING PROCEDURES

With the variable speed control switch in the "ON" position, ignite the fire in the fireplace. When the temperature sensor switch closes at approximately 110°F the fan will automatically turn on. Heated air should be delivered at the outlet grille. The fan will continue to operate after the fireplace is turned OFF until the sensor switch opens. The length of time the blower remains on after the fireplace is OFF is determined by various conditions (such as fireplace model, type of fireplace installation, outside air temp, vs inside air temp.) The blower can be turned OFF manually with the speed control switch.

**CAUTION:** Never contact blower wheel (vanes) during blower operation.

### 8. MAINTENANCE

Check the fireplace grilles and remove any dust, dirt or obstructions periodically.

### 9. REPLACEMENT PARTS AND CUSTOMER SERVICE

Service and replacement parts may be obtained through your dealer.

Alltemp Products Company Limited

827 Brock Road South • Pickering Ontario • L1W 3J2 • Canada  
Toronto (416) 798-7648 • Wats 1 800 263-4624 • Phone (905) 831-3311 • Fax (905) 831-1864  
e-mail sales@alltemp.ca • Website www.alltemp.ca