

BALDOR® • ***RELIANCE***

Product Information Packet

CHC164A

.25HP, 1100RPM, 1PH, 60HZ, 48Z, 1712C, TEAO, F1

Part Detail							
Revision:	U	Status:	PRD/A	Change #:		Proprietary:	No
Type:	AC	Prod. Type:	1712C	Elec. Spec:	17WGW392	CD Diagram:	
Enclosure:	TEAO	Mfg Plant:		Mech. Spec:	17K043	Layout:	
Frame:	48Z	Mounting:	F1	Poles:	06	Created Date:	
Base:	RS	Rotation:	RS	Insulation:	B	Eff. Date:	02-10-2012
Leads:	7#18	Literature:		Elec. Diagram:		Replaced By:	

Nameplate NP1203A01

CAT.NO.	CHC164A	ENCL	TEAO
SPEC.	17K043W392	FRAME	48Z
HP	.25 AIR OVER		
VOLTS	115/230		
AMPS	3.2/1.6		
RPM	1100		
HZ	60	PH	1
SER.F.	1.15	DES	-
FL EFF	59.5	PF	
RATING	40C AMB-CONT		
SF AMP		USABLE AT 208V	1.6
S/N			
MANUAL	N	AUTO	Y
			NONE
			N

Parts List		
Part Number	Description	Quantity
SA070519	SA 17K043W392	1.000 EA
RA064408	RA 17K043W392	1.000 EA
OC2005F01	OVL OIL CAP 5MFD/370V	1.000 EA
WD4100A49	CAPLUG,BP-13/16,PLUG W/RECESSED HEAD	1.000 EA
11XT0832G06	8-32 X 3/8 TY 23 TAPPING	1.000 EA
LD5000A52	LEAD ASSY W/INTERNAL STAR RING TERMINALS	1.000 EA
11XT1032A06	10-32 X 3/8 HX WSHR HD SLTD TYPE 23	2.000 EA
51XW0832A07	8-32 X .44, TAPTITE II, HEX WSHR SLTD SE	4.000 EA
17EP3200DT01	FR ENDPLATE, MACH W/HUB	1.000 EA
RM1000A03SP	CUSHION RING, MDL 17-33-34	1.000 EA
HA6004A01A	CLAMP CUSHION RING ASSY	1.000 EA
34CB4501SP	TERMINAL BOX LID, STAMPED X (PLATED)	1.000 EA
33CB4800A02	CAPACITOR COVER, STAMPED	1.000 EA
35GS3001A02	GASKET, CA.COVER, 5.38 LONG .06 CS301	1.000 EA
34GS5003	FOAM SLEEVE, ID = 2 1/16" X 3 3/8"	1.000 EA
51XB1016A05	10-16X5/16HX WA SL SR TYB (F/S)	2.000 EA
HW5100A03SP	WAVY WASHER (W1543-017)	1.000 EA
17EP3100D01	PU ENDPLATE, MACH W/HUB ENCLOSED	1.000 EA
XY0832A02	8-32 HEX NUT	4.000 EA
RM1000A03SP	CUSHION RING, MDL 17-33-34	1.000 EA
HA6004A01A	CLAMP CUSHION RING ASSY	1.000 EA
34GS1005	GASKET, TERM PLATE LID	1.000 EA
51XW0832A07	8-32 X .44, TAPTITE II, HEX WSHR SLTD SE	2.000 EA
SP5126	MDL 17L TERM PANEL 3 PH W/TABS & 3/4 THE	1.000 EA

Parts List (continued)		
Part Number	Description	Quantity
34BA4001A01A	RESILIENT BASE, 408-416 AUTOPHORETIC	1.000 EA
HA3169A23	THRUBOLT #8-32 THDS X 8.44 LONG	4.000 EA
MG5017	VARNISH - PDG 2500	0.050 GA
LB1125A01SP	STOCK MTR CARTON LABEL LASER PRINTER	1.000 EA
LB5040	INSTRUCTION TAG, AC & DC	1.000 EA
NP1203A01	NP LABEL 1PH, DV, REV (FOR COMMERCIAL MO	1.000 EA
34PA1002	PACKING GROUP, BALDOR	1.000 EA
LD5000A102	LEAD ASSY, 16 GA, RED, #8, W/FLAG TERMS	1.000 EA
LD5000A414	LEAD ASSY, ML14-1E18, 9", FLAG, STRIP	1.000 EA
LD5000A415	LEAD ASSY, ML14-3J18 9", FLAG, STRIP	1.000 EA
LD5000A416	LEAD ASSY, ML14-JH18 9", FLAG, STRIP	1.000 EA
LD5000A417	LEAD ASSY, ML14-5B18, 9", FLAG, STRIP	1.000 EA
LD5000A418	LEAD ASSY, ML14-2A18 9", FLAG, STRIP	1.000 EA
LD5000A419	LEAD ASSY, ML14-4F18 9", FLAG, STRIP	1.000 EA
LD5000A420	LEAD ASSY, ML1400AJ18 9", FLAG, STRIP	1.000 EA

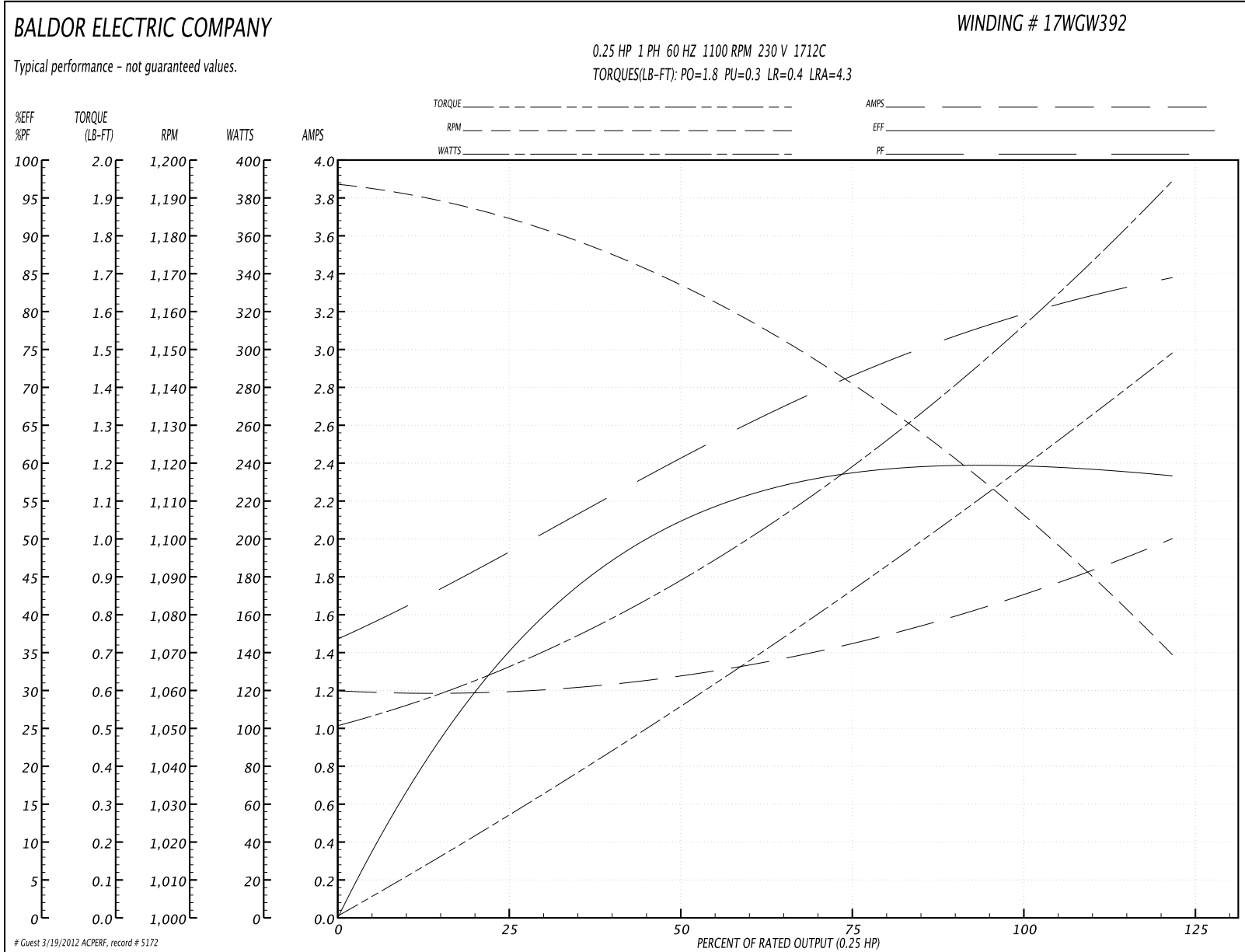
Performance Data at 230V, 60Hz, 0.25HP (Typical performance - Not guaranteed values)
General Characteristics

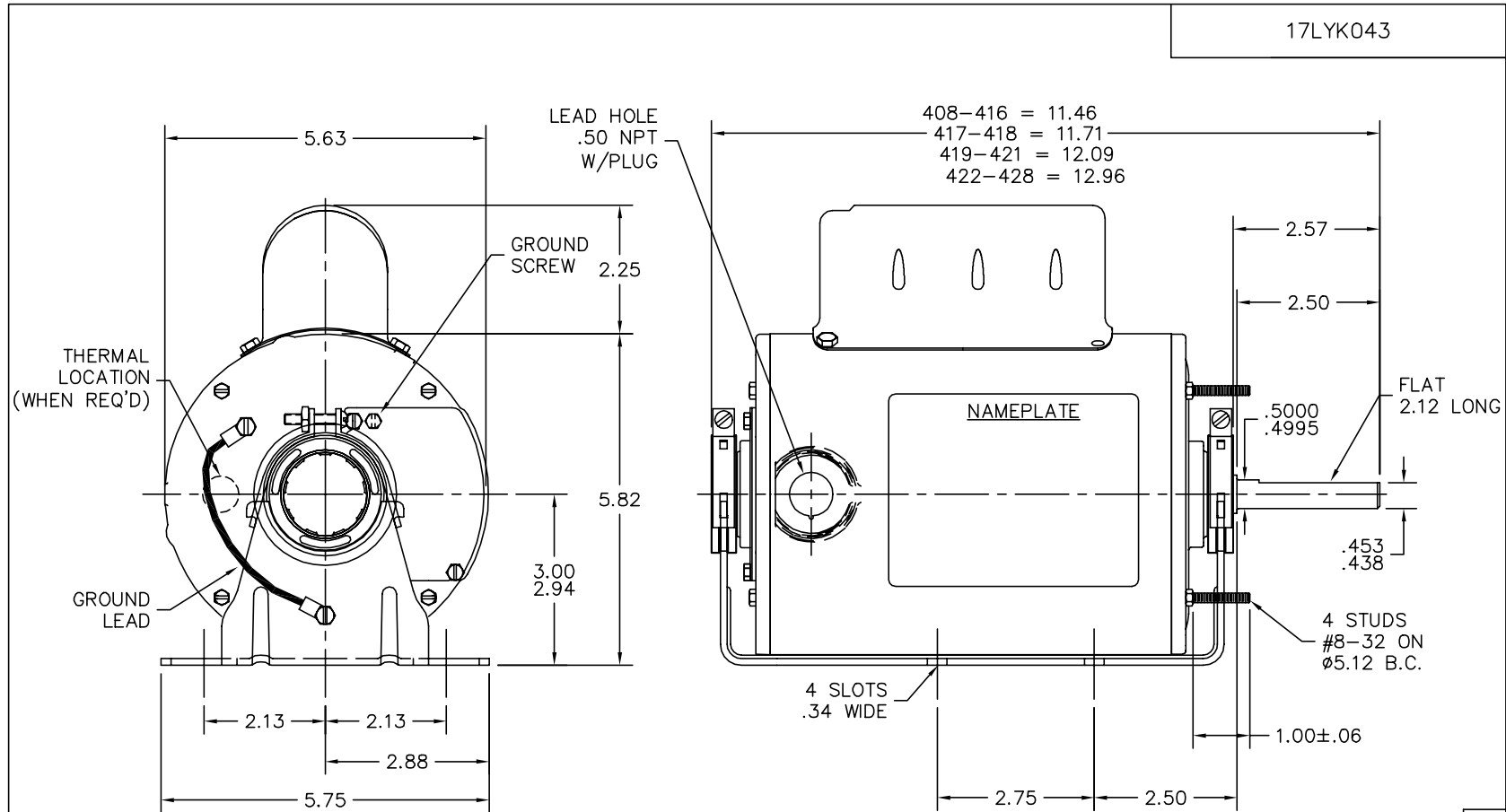
Full Load Torque:	1.2 LB-FT	Start Configuration:	DOL
No-Load Current:	1.19 Amps	Break-Down Torque:	1.8 LB-FT
Line-line Res. @ 25°C.:	20.5 Ohms A Ph / 50.5 Ohms B Ph	Pull-Up Torque:	0.3 LB-FT
Temp. Rise @ Rated Load:	74 C	Locked-Rotor Torque:	0.4 LB-FT
Temp. Rise @ S.F. Load:		Starting Current:	4.3 Amps

Load Characteristics

% of Rated Load	25	50	75	100	125	150	S.F.
Power Factor:	49.0	63.0	73.0	79.0	84.0	0.0	0.0
Efficiency:	37.5	52.0	59.2	60.8	57.7	0.0	0.0
Speed:	1183.0	1160.0	1138.0	1111.0	1065.0	0.0	0.0
Line Amperes:	1.2	1.32	1.47	1.68	2.03	0.0	1.89

Performance Graph at 230V, 60Hz, 0.25HP Typical performance - Not guaranteed values





CUSTOMER IS RESPONSIBLE FOR DETERMINING THAT BALDOR'S PRODUCT WILL PERFORM SUITABLY IN THE INTENDED APPLICATION.

REV. DESC: SB WAS 17SB0041 (SEE ZTR02 NOTES)		
REV. LTR: B	VERSION: 02	TDR: 000000472601
FILE: \AAA\00082\635		REVISED: 14:10:55 08/11/2008
MTL: -		BY: ENBENBO

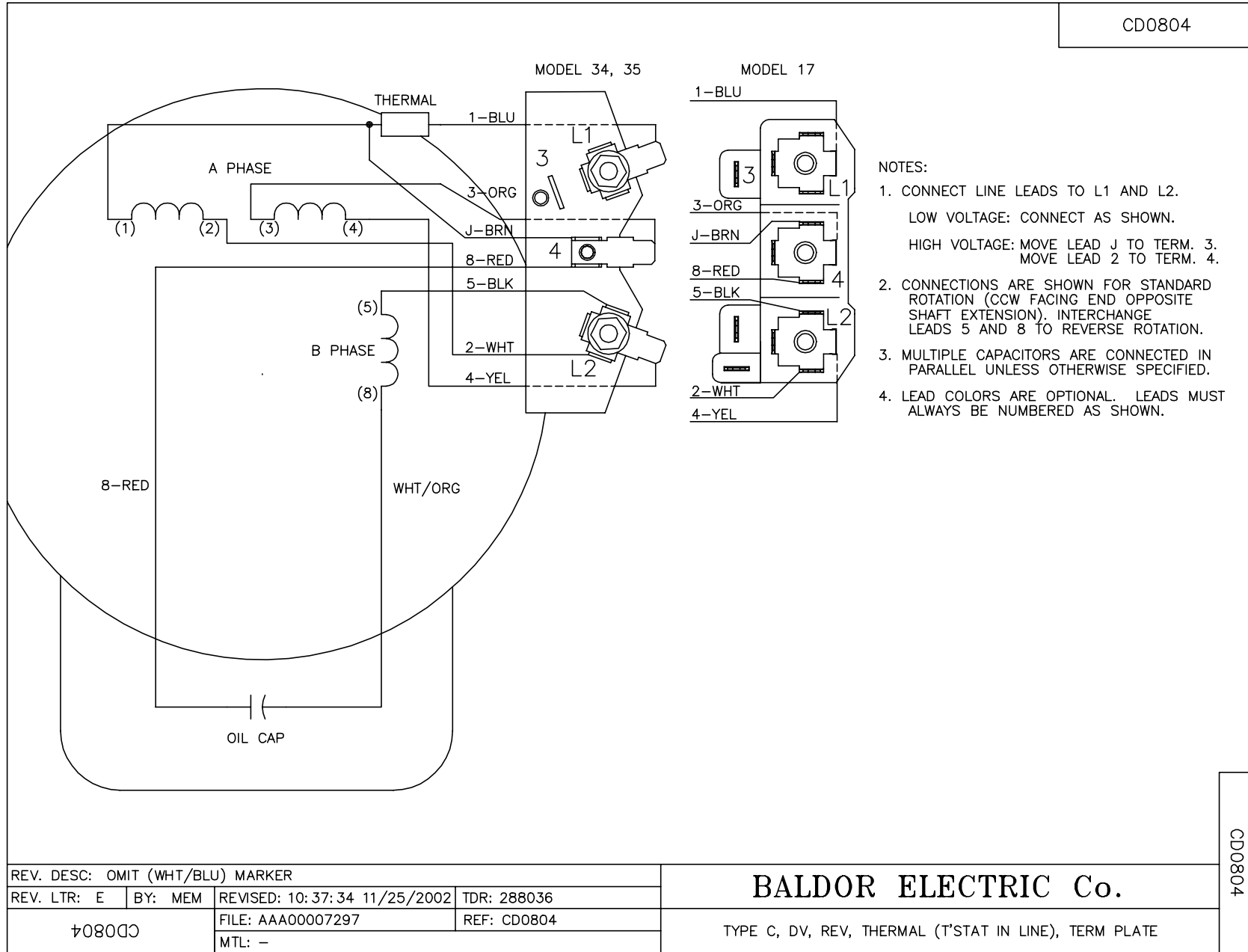
BALDOR • DODGE • RELIANCE

RESIL 17C NEMA 48Z TEAO W/EXT T'BOLTS & V=2.50

SH 1 of 1

17LYK043

CD0804



CD0804

REV. DESC: OMIT (WHT/BLU) MARKER			
REV. LTR: E	BY: MEM	REVISED: 10: 37: 34 11/25/2002	TDR: 288036
FILE: AAA00007297		REF: CD0804	
MTL: -			

BALDOR ELECTRIC Co.

TYPE C, DV, REV, THERMAL (T'STAT IN LINE), TERM PLATE