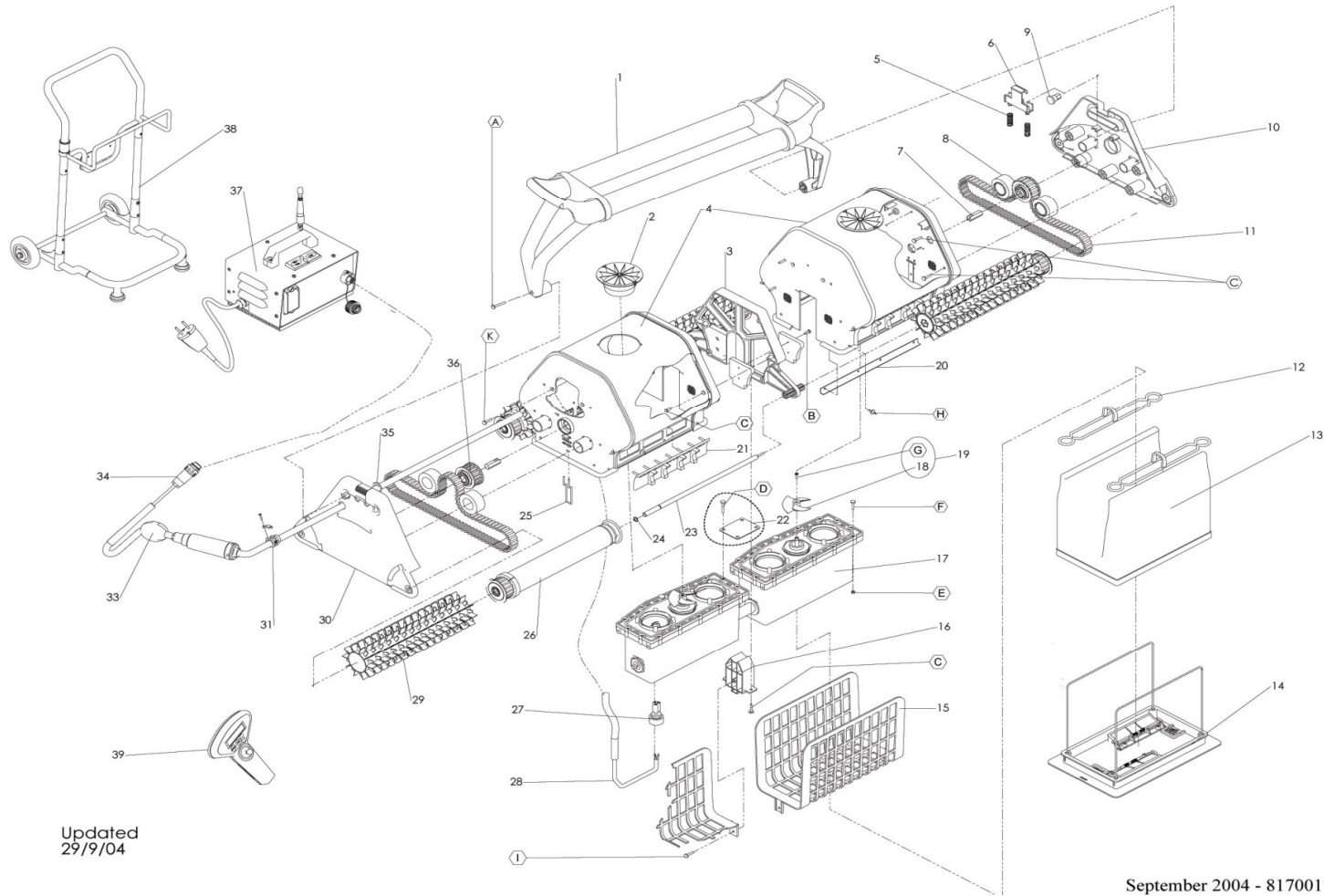




# ILLUSTRATED BILL OF MATERIAL FOR CONSUMER REPLACEABLE PARTS DOLPHIN 2x2 (999351)



Updated  
29/9/04

September 2004 - 8170017

*For consumers, dolphin parts are available through Dolphin dealers and authorized repair centers. Please visit our dealer locator to find the closest Dolphin dealer in your area at:  
[http://www.maytronicsus.com/en-us/where\\_to\\_buy/store-locator/](http://www.maytronicsus.com/en-us/where_to_buy/store-locator/)*

*For dealers, parts are available through distribution or through Optimus at: <http://www.optimusparts.com/>*

# BILL OF MATERIAL

## 9999351 - DOLPHIN 2x2

Number	Child Part Number	Part Description	DIY
1	9995704	HANDLE BLACK FOR DOLPHIN - 2X2	Y
2	9995070	IMPELLER TUBE-YELLOW	Y
3	9987602	DIVIDER FOR 2X2	Y
12	9981430	FILTER BAG CLIP	Y
13	9995430-ASSY	FILTER BAG	Y
13	9991440-ASSY	DISPOSABLE FILTER BAG -PACK OF 5	Y
13	9995431-ASSY	COARSE FILTER BAG	Y
14	9995550	BOTTOM LID ASSY+SUPPORT (2005)	Y
15	6203703	FILTER SCREEN	Y
19	9995269	IMPELLER+SCREW DC	Y
29	6101603	PVC BRUSH DIAG - BLUE	Y
37	9995628LF	POWER SUPPLY - 2X2-DC 115V	Y
39	9995438	RCU 2X2 - 2004 VERS.	Y