

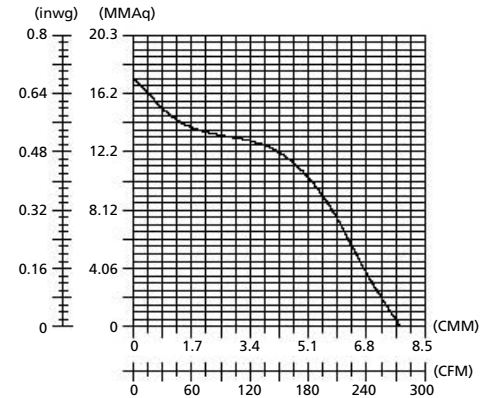
Dayton® PSC and Shaded Pole Blowers

[BUY @ ELECTRIC MOTOR WAREHOUSE](#)

Description

Dayton PSC and Shaded Pole blowers provide economical air delivery for general heating, cooling, ventilating, or component cooling. Typical applications include cooling greenhouses, blowers for wood and corn stoves, ventilating small buildings, cooling electrical enclosures and removing heat from machinery. The blowers are exact replacements for many OEM blowers with the same physical footprint. Forward curve wheels driven by Dayton motors are rated for continuous duty with all-position mount. These units incorporate balanced ball or sleeve-bearing motors with cast aluminum end shields. This provides greater heat dissipation and protection, reducing down time due to component failure and accidental damage. Direct drive blower wheels are dynamically balanced to reduce noise and vibration and to maintain CFM at higher static pressures.

60HZ



Specifications

Reference Number	CFM @0"	0.1"	0.2"	0.3"	0.4"	0.5"	0.6"	0.7"	0.8"	VOLTS	AMPS	HZ
1TDR3*	273	245	230	210	183	135	-	-	-	115	0.77	60

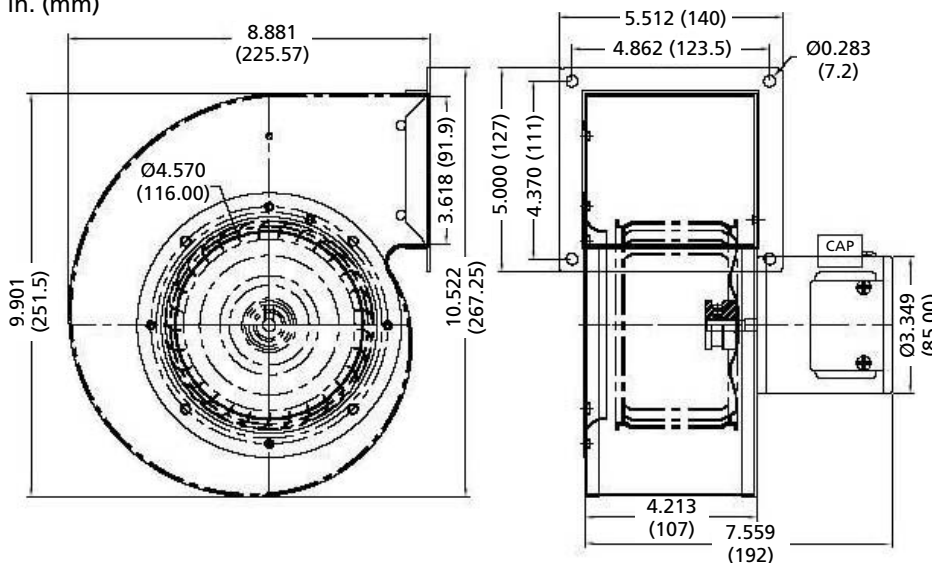
* Replaces 4C447

NOTE: Includes Conduit Box with 7" Lead Length.

NOTE: Not suitable for use with speed-controlled devices.

Dimensions

in. (mm)



Features

- PSC motor
- Baked enamel Gray finish
- Heavy gauge steel housing
- All position Mounting
- Maximum Ambient Temperature 104°F
- Suitable for 50Hz operation

Additional Benefits

- Permanently Lubricated Ball-Bearings
- Extruded Aluminum Blower Frame for Increased Rigidity
- Auto-Thermal Protection

Motor Component Recognition US E47479



