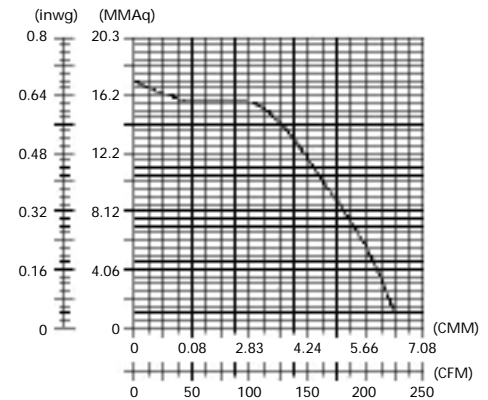


# Dayton® PSC and Shaded Pole Blowers

## Description

Dayton PSC and Shaded Pole blowers provide economical air delivery for general heating, cooling, ventilating, or component cooling. Typical applications include cooling greenhouses, blowers for wood and corn stoves, ventilating small buildings, cooling electrical enclosures and removing heat from machinery. The blowers are exact replacements for many OEM blowers with the same physical footprint. Forward curve wheels driven by Dayton motors are rated for continuous duty with all-position mount. These units incorporate balanced ball or sleeve-bearing motors with cast aluminum end shields. This provides greater heat dissipation and protection, reducing down time due to component failure and accidental damage. Direct drive blower wheels are dynamically balanced to reduce noise and vibration and to maintain CFM at higher static pressures.

60HZ



## Specifications

Reference Number	CFM @0"	0.1"	0.2"	0.3"	0.4"	0.5"	0.6"	0.7"	0.8"	VOLTS	AMPS	HZ
1TDV3*	227	210	195	180	162	110	-	-	-	115	0.58	60

\* Replaces 4C942

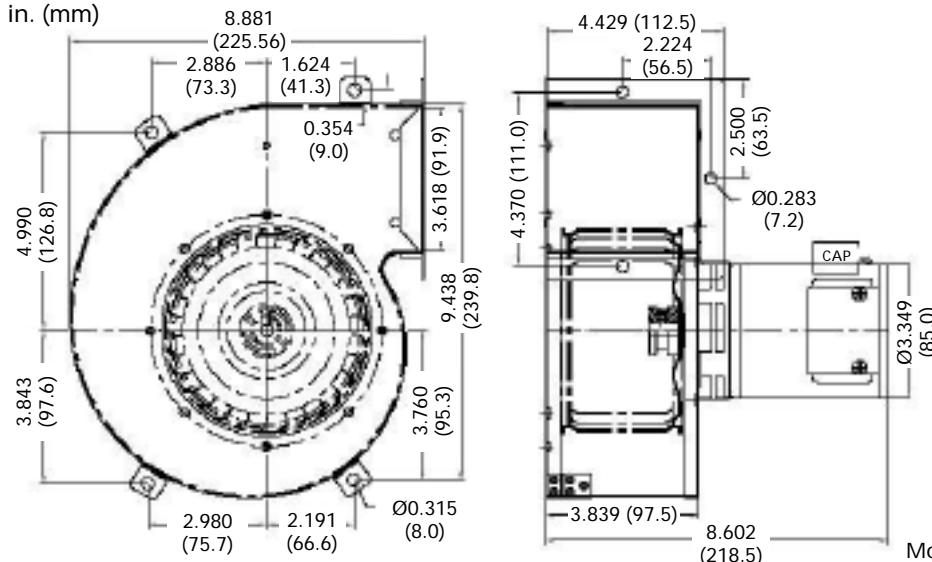
**NOTE:** Includes Conduit Box with 13" Lead Length.

**NOTE:** Not suitable for use with speed-controlled devices.

**NOTE:** Motor must be positioned in an area where the temperature does not exceed 104°F. Blower is designed to handle air temperatures up to 450°F at blower inlet.

## Dimensions

in. (mm)



## Features

- PSC motor
- Flat Black High-Temp Finish
- Heavy gauge steel housing
- All position Mounting
- Maximum Ambient Temperature 104°F
- Suitable for 50Hz operation

## Additional Benefits

- Permanently Lubricated Ball-Bearings
- Extruded Aluminum Blower Frame for Increased Rigidity
- Auto-Thermal Protection

Motor Component Recognition  E47479



