

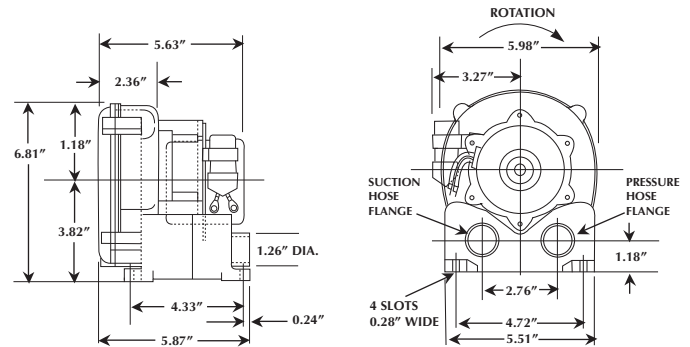


VFC06

RING COMPRESSOR



The VFC06 is a single-stage ring compressor with a maximum pressure of 10 in. H₂O, a maximum vacuum of 9.7 in. H₂O and a maximum capacity of 17.7 SCFM. It comes complete with a direct drive, 1/20 horsepower, TENV motor capable of operating on 115 volts, on 50 or 60 Hz. A built-in automatic reset thermal protector is standard. This version has NEMA class B insulation, is UL recognized, CSA certified, and CE.



SPECIFICATIONS

Model No.	Hz	Voltage		Amps (Max. Rated)	Amps (Locked Rotor)	Max. Pressure	Max. Vacuum	Max. Airflow	Min. Airflow	Max. Temp Rise (ΔT)	Weight
		Low Voltage	High Voltage			in. H ₂ O	in. H ₂ O	SCFM	SCFM	°F(°C)	lbs.(kg)
VFC063P-1T	60	115		0.56	1.2	10	9.7	17.7	0	54(30)	6.0(2.7)
	50	110		0.4	0.9	7.5	7.3	14.7	0	36(20)	

ACCESSORIES

Description	Vacuum Relief Valve	Pressure Relief Valve	Inlet Filter	Inlet Filter Cover	Exhaust Silencer/Muffler
Model No.	Not Req'd	Not Req'd	F-123	C-123	VFY-021A

NOTE: Maximum allowable time at deadhead is unlimited.

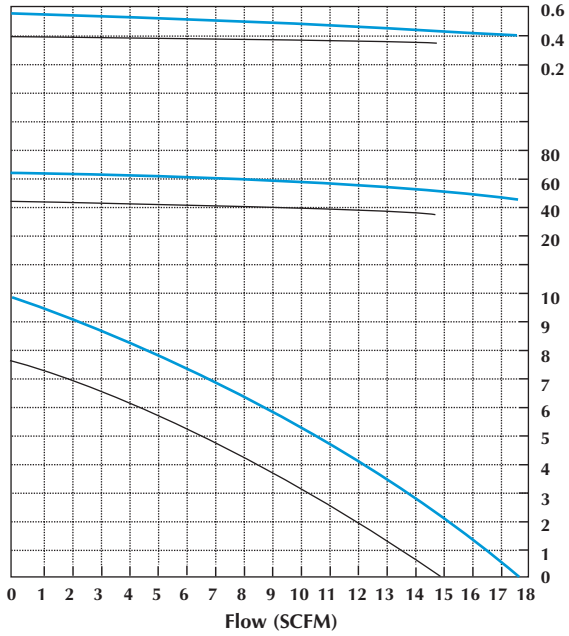


VFC06 PERFORMANCE DATA

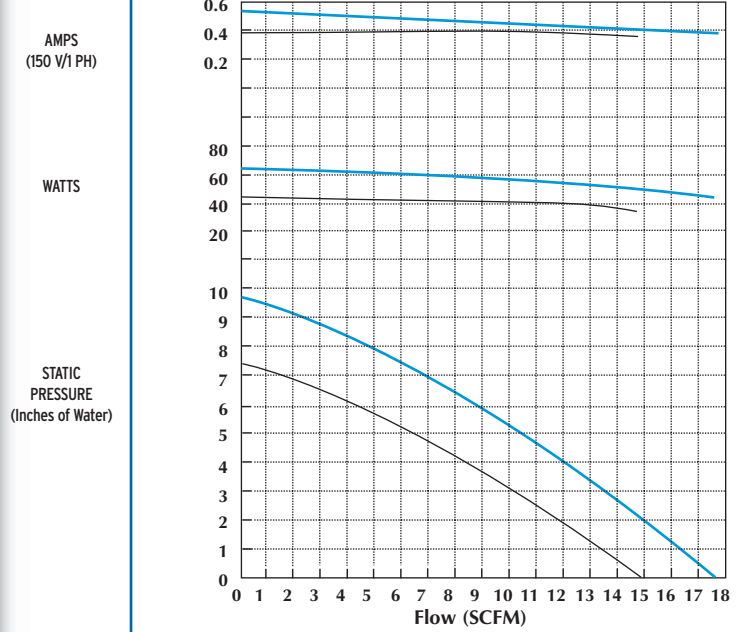
KEY

— 60 Hz
— 50 Hz

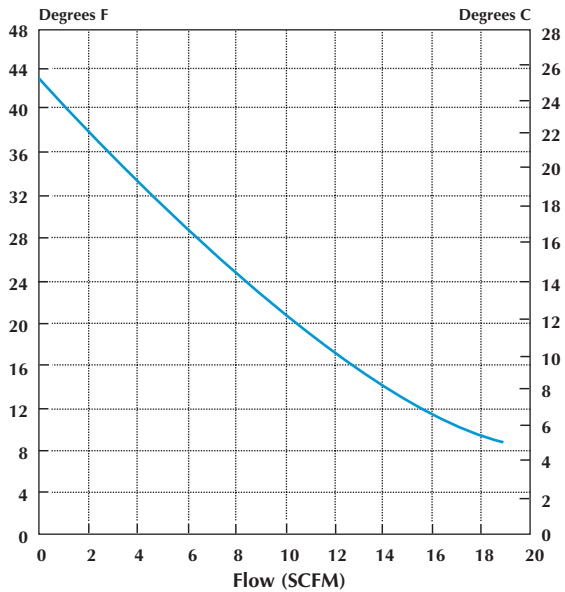
PRESSURE



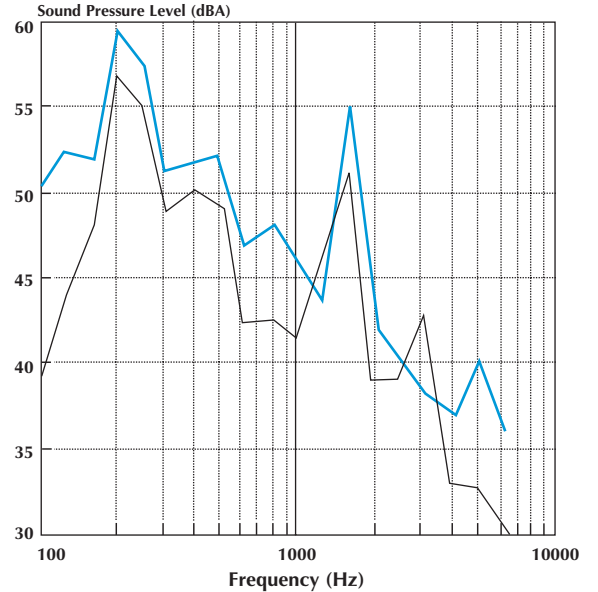
VACUUM



TEMPERATURE RISE



SOUND LEVEL



*Measured at distance of 1.0 meters