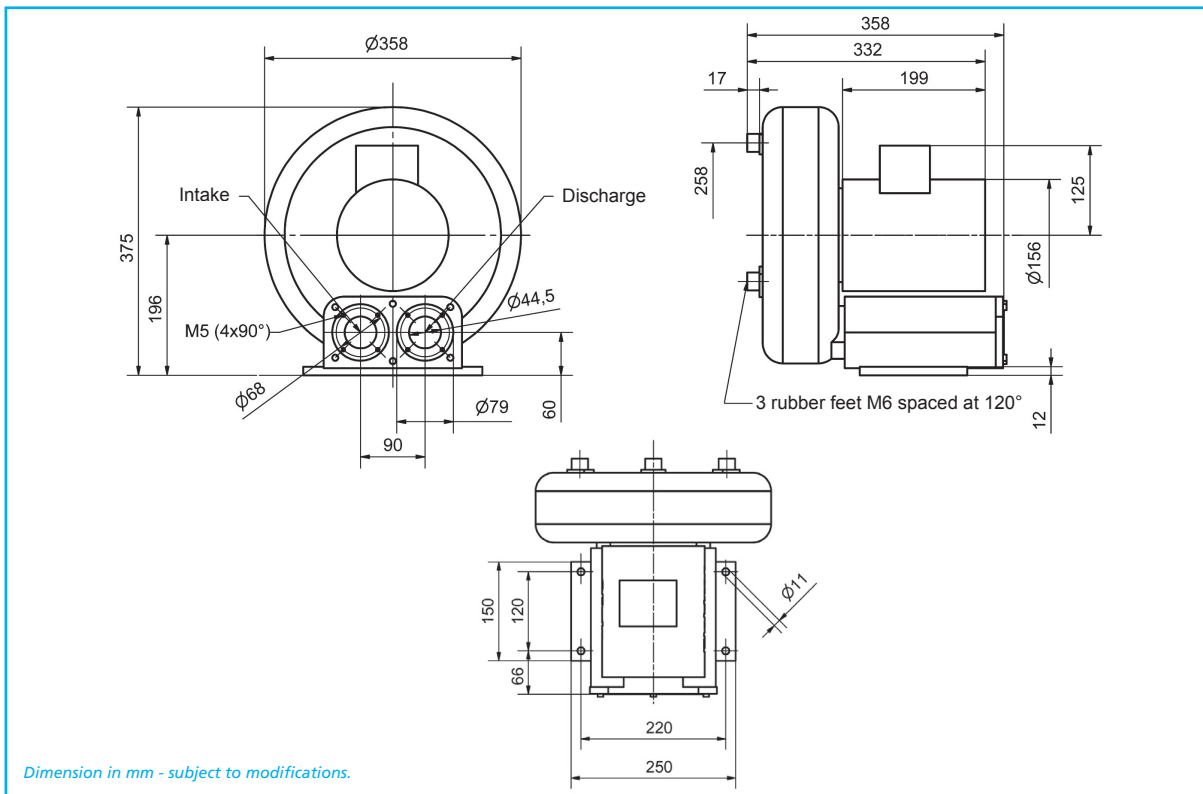
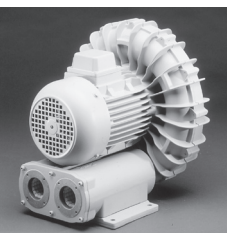


**SD 4n
VFD 41,
SE 4n
VFD 41S**

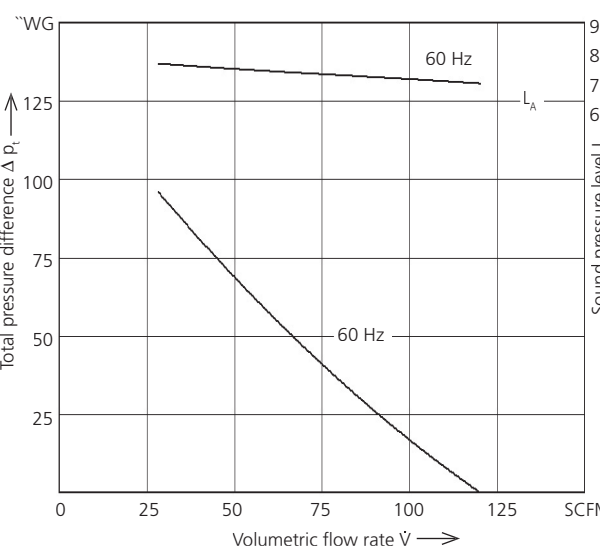
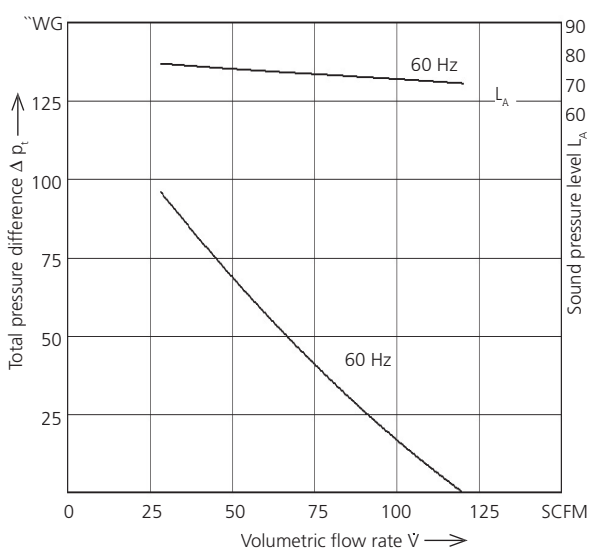


Delivery includes inlet and outlet flanges NPT 1 1/2".

Type	Maximum performance when used as blower		Maximum performance when used as extractor		Motor ratings				Capaci- tor	Weight	
	Frequency	\dot{V} max	Δp_t max.	\dot{V} max.	Δp_t max.	Rated output	Voltage	Current	RPM	230 V	
	Hz	SCFM	"WG	SCFM	"WG	hp	V	Amp.	min ⁻¹	μ F/V	lb
SD 4n VFD 41	60	120	96	120	96	2,14	230/460	6,90/3,45	3400	-	47
SE 4n VFD 41S	60	120	96	120	96	2,00	230	10,0	3300	40/450	47

Pressure

Vacuum



Technical and constructional subject to change.

Elektor
airsystems gmbh
Richard-Hirschmann-Straße 12
73728 Esslingen/Neckar
Germany
sales@elektor.com
www.elektor.com

FE
FUJI ELECTRIC CORPORATION OF AMERICA
Park 80 West Plaza II
USA-Saddle Brook, NJ 07663
fujidc@fecoa.fujielectric.com
www.fujielectric.com