

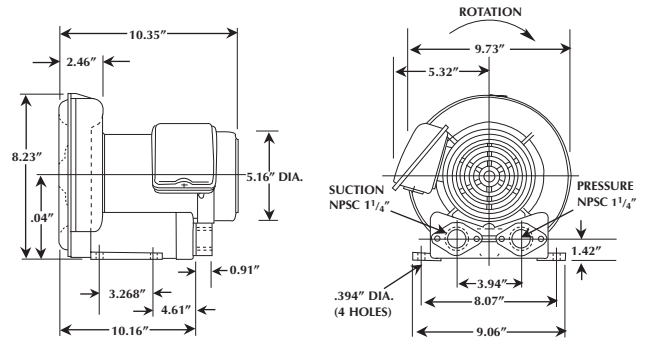


VFC30

RING COMPRESSOR



The VFC30 is a single-stage ring compressor with a maximum pressure of 50 in. H₂O, a maximum vacuum of 45 in. H₂O, and a maximum capacity of 56 SCFM. It comes complete with a direct-drive, 1/2 horsepower, TEFC motor capable of operating on a wide range of voltages, and on 50 or 60 Hz. A pilot-duty thermal protector is standard equipment on all 3-phase models, and built-in automatic reset thermal protectors on 1-phase units. All versions have NEMA class B insulation, are UL recognized, CSA certified, and CE. 575 Volt units are CSA certified only.



SPECIFICATIONS

Model No.		Hz	Voltage	Amps (Max. Rated)	Amps (Locked Rotor)	Max. Pressure	Max. Vacuum	Max. Airflow	Min. Airflow	Max. Temp Rise (ΔT)	Weight
			Low Voltage/High Voltage		in. H ₂ O	in. H ₂ O	SCFM	SCFM	°F(°C)	lbs.(kg)	
1 Phase	VFC300P-5T	60	115/230	5.0/2.5	17/8.5	49	45	56	17	54(30)	27(12.3)
		50	110/220	3.8/1.9	15/7.5	38	34	49	10	47(27)	
3 Phase	VFC300A-7W	60	200-240/400-480	1.5-1.7/0.75-0.85	7.2-8/3.6-4	50	45	55	17	54(30)	25.5(11.5)
		50	190-230/380-460	1.4-1.7/0.7-0.85	8-8.8/4-4.4	40	36	47	10	47(27)	
	VFC300A-5W	60	575	0.75	3.8	50	45	55	17	54(30)	25.5(11.5)

ACCESSORIES

Description	Vacuum Relief Valve	Pressure Relief Valve	Inlet Filter	Inlet Filter Cover	Inlet Filter/Receiver	Exhaust Silencer/Muffler
Model No.	VV3	PV3	F-123	C-123	R15P1.5	VFY-023A



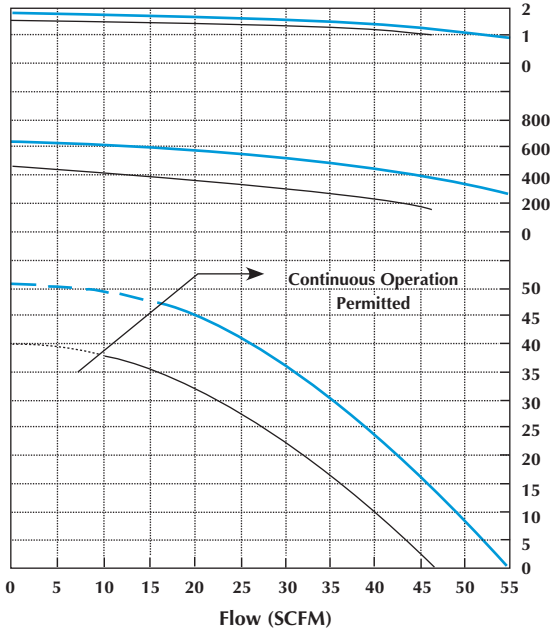
NOTE: Maximum allowable time at deadhead is 120 seconds.

VFC30 PERFORMANCE DATA

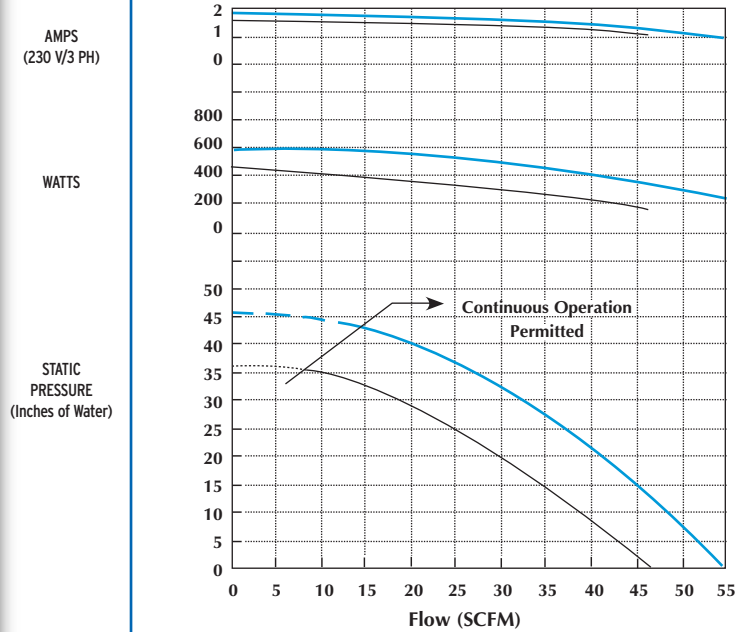
KEY

— 60 Hz
— 50 Hz

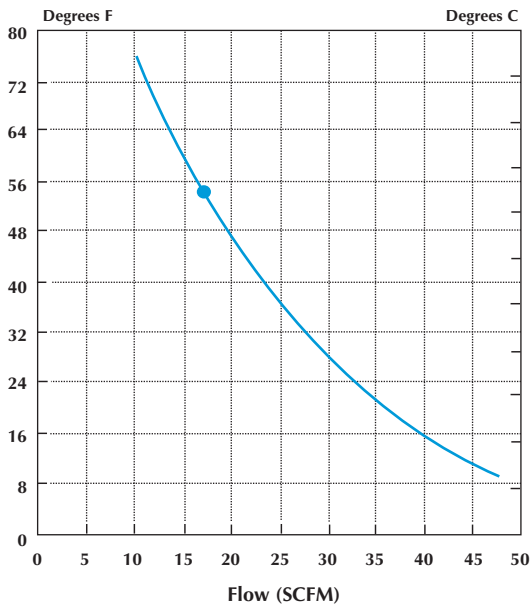
PRESSURE



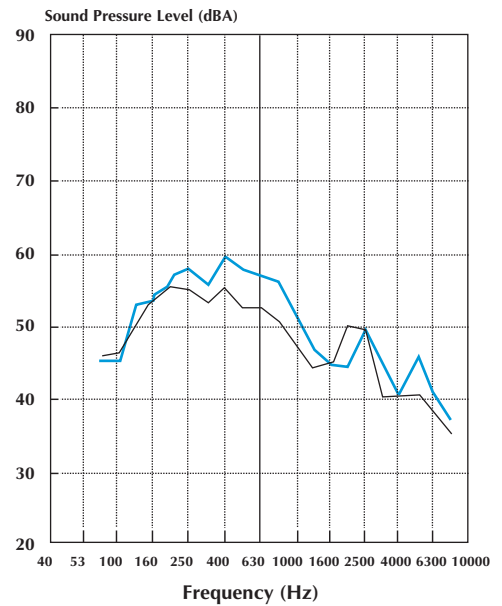
VACUUM



TEMPERATURE RISE



SOUND LEVEL



Max. Air Temperature is Value Marked • plus 40 Degrees C Ambient Temperature

*Measured at distance of 1.0 meter