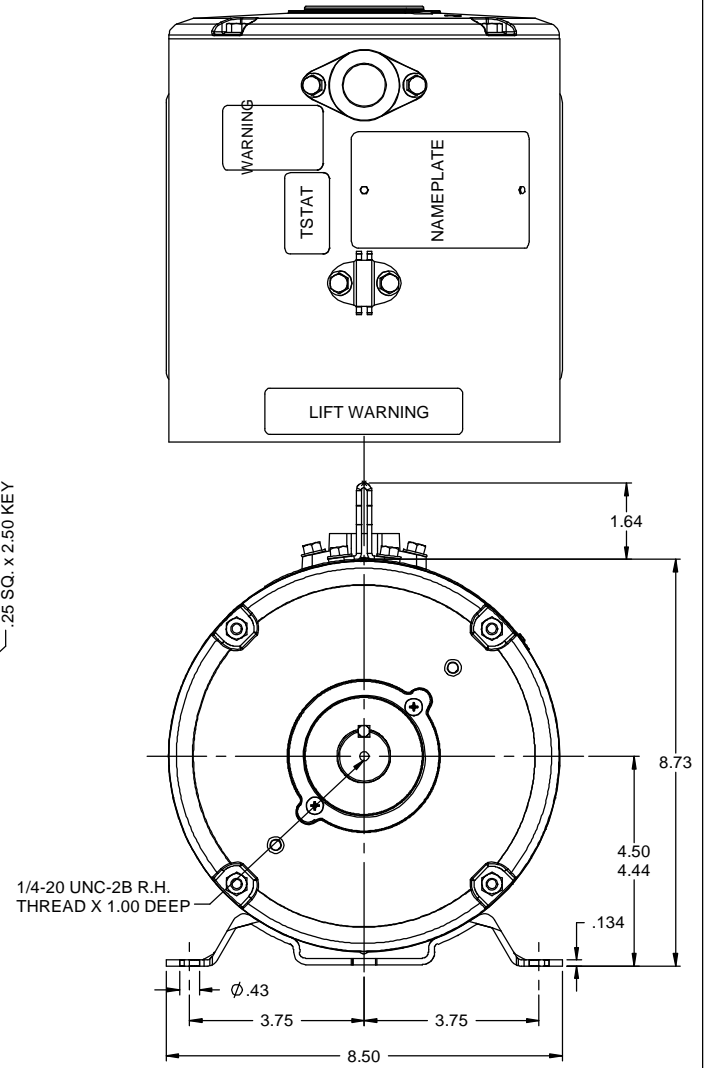
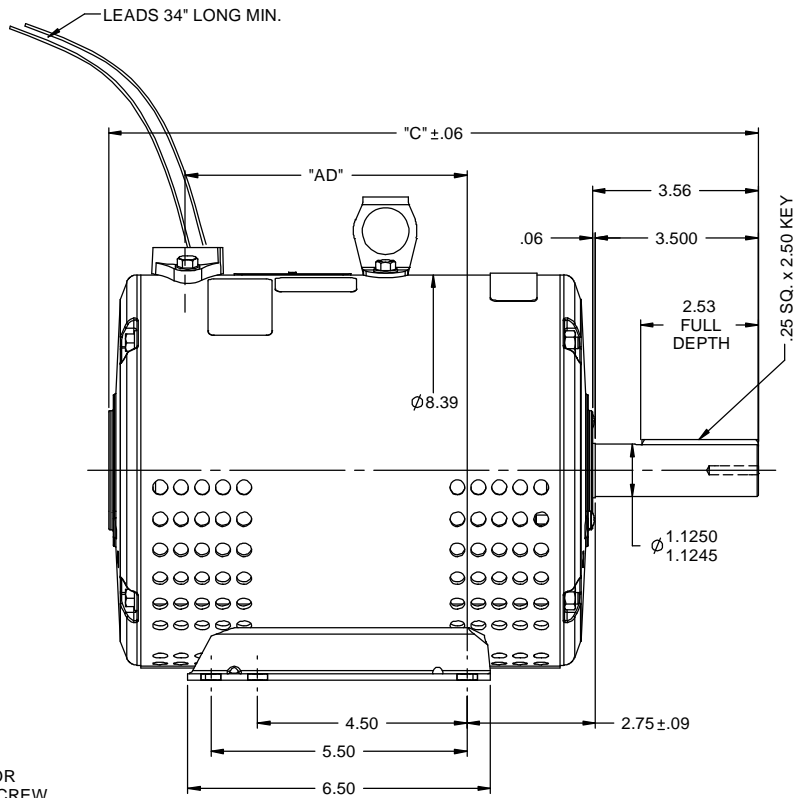
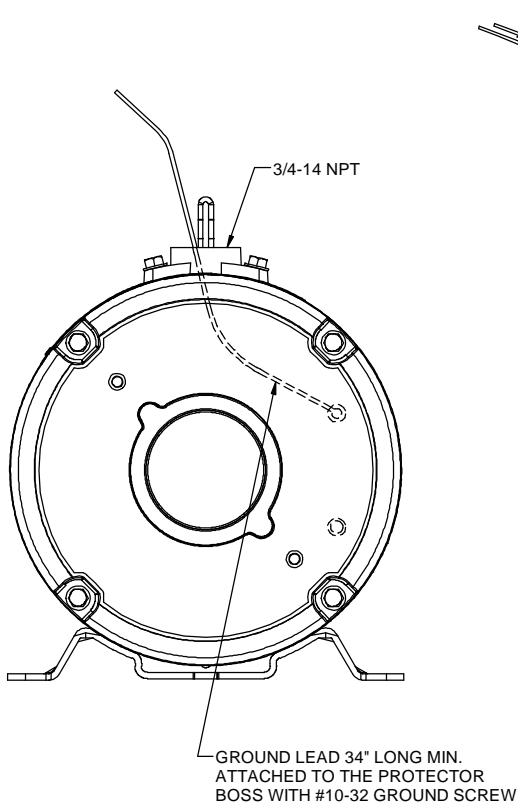


DASH NO.	"C"	"AD"
750	12.44	4.50
800	12.94	5.00
850	13.44	5.50
900	13.94	6.00
950	14.44	6.50
1000	14.94	7.00
1050	15.44	7.50
1100	15.94	8.00
1150	16.44	8.50



REVISION		BY & DATE	CHK	ANG	FINISH	PREV	SIZE	DRAWING NO	REV
02	CHANGE FRAME PER ISAAC 11-5084	LST 11/14/2011	XX	XXX	±.005				
01	ADD GROUND WIRE TO ENDBELL PER ISAAC 09-168	ZST 5/5/2009	XX	XXXX	±.0005				
TOLERANCES UNLESS SPECIFIED				DEC	INCHES				
				X	±.1				
				XX	±.03				
				XXX	±.005				
				XXXX	±.0005				
				ANG	±1/2°				
				FINISH					
				PREV					
				NETWORK FILE NAME	035720				
				SIZE	B	DRAWING NO		035720	REV
									02



TITLE OUTLINE 180TZ FRAME  
DRIP PROOF RIGID

DRAWN LST 2/19/09  
CHK  
APPR  
SCALE 3:8  
REF  
FMF  
PAGE OF

