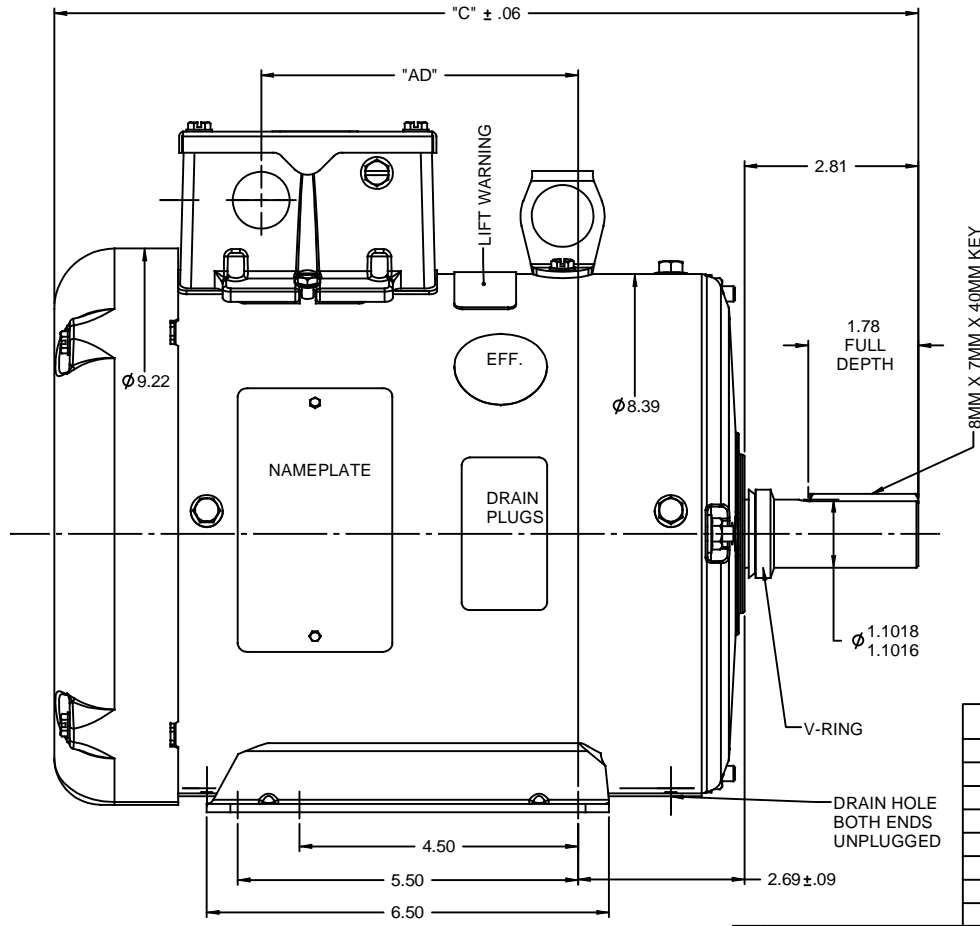
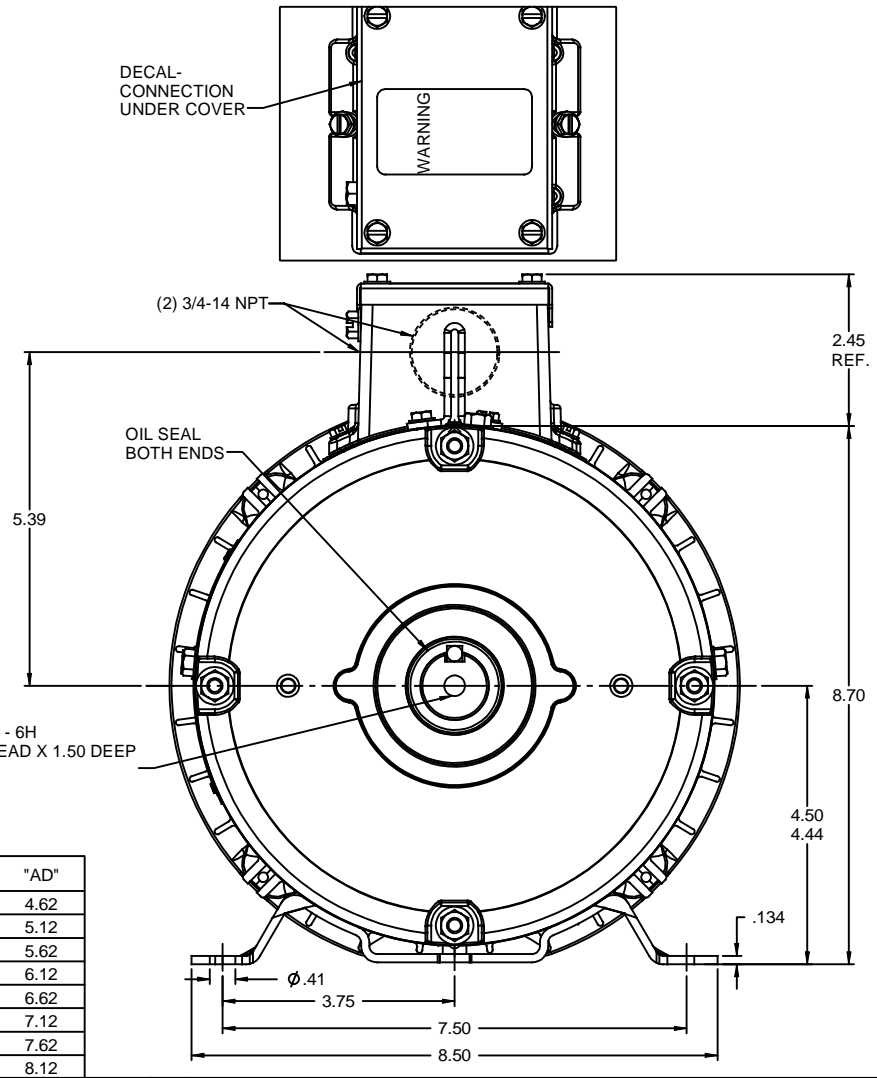


RBC PROPRIETARY AND CONFIDENTIAL INFORMATION
 This document is the property of REGAL BELOIT CORPORATION ("RBC") including its subsidiaries and divisions and contains proprietary information of RBC. This document is loaned on the express condition that neither it nor the information contained therein shall be disclosed to others without the express written consent of RBC, and that the information shall be used by the recipient only as approved expressly by RBC. This document shall be returned to RBC upon its request. This document may be subject to certain restrictions under U.S. export control laws and regulations.



DASH NO.	"C"	"AD"
800	13.46	4.62
850	13.96	5.12
900	14.46	5.62
950	14.96	6.12
1000	15.46	6.62
1050	15.96	7.12
1100	16.46	7.62
1150	16.96	8.12



FEATHER PICKER MOTOR SPECIAL FEATURES
 GASKETS THROUGHOUT
 OIL SEALS BOTH ENDS & V-RING
 DRAIN HOLES IN FRAME @ 3.9 & 12 O'CLOCK
 STAINLESS STEEL CONDUIT BOX, NAMEPLATE, HARDWARE
 PHOSPHATIZED SHAFT
 FDA APPROVED WHITE EPOXY PAINT

		TOLERANCES UNLESS SPECIFIED		DRAWN VS 8/13/08	
		DEC INCHES		CHK DWS 8/13/08	
		X ±.1		APPR	
		.XX ±.03		TITLE OUTLINE - 180TZ FRAME	
		.XXX ±.005		REF 035531	
- UPDATED & REDRAWN IN SOILDWORKS		LST 11/30/2009 XX .XXX ±.0005		MATL FEATHER PICKER MOTOR	
NO REVISION		BY & DATE		PAGE OF	
THIRD ANGLE PROJECTION		CHK ANG ±1/2°		FINISH	
		RFP		PREV	
		NETWORK FILE NAME		SIZE DRAWING NO	
				B 035684	
				REV	
				-	