

INSTALLATION INSTRUCTIONS

Combustion Blower Replacement Kit for 48" 90+ Furnace

These instructions apply to the Combustion Blower Replacement Kit **ONLY**.

Please read these instructions completely before attempting installation.

WARNING

Electric shock hazard/Fire and/or explosion hazard.

Turn OFF electric power supply at manual gas valve before turning OFF electric power supply and starting installations.

Turn OFF electric power supply at disconnect switch or service panel before starting installations.

Failure to follow this warning can result in property damage, equipment damage, personal injury and/or death.

1. Examine Kit to determine that the following parts are present:
 - ◆ 1-Combustion Blower Assembly (Part # 1011410)
 - ◆ 3-Plastic Pins (Part # 2344276)
 - ◆ 2-Washers (Part # 1009037)
 - ◆ 1-O Ring (Part # 1009035)
 - ◆ 1-Rubber Coupling (Part # 1002522)
 - ◆ 2-Hose Clamps (Part # 1002793)
 - ◆ 1-Wire Harness (Part # 1011438)

If any parts are missing, immediately contact your parts supplier.

Disassembly

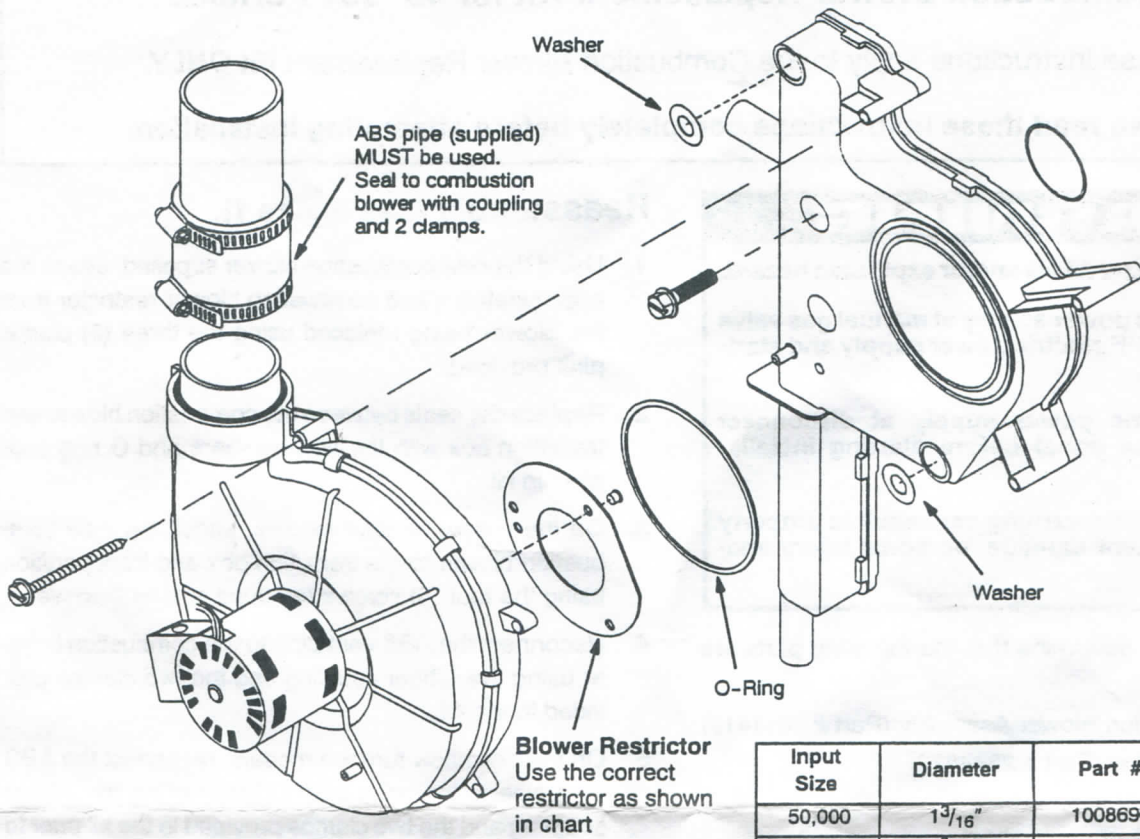
1. Shut **OFF** electric power to furnace at disconnect switch.
2. Shut off gas to unit at field supplied gas shut off valve.
3. Remove the burner compartment door exposing the gas valve and burner compartment.
4. Disconnect the black and white combustion blower wires. A pin pusher may be required on some models to disconnect the Amp connector.
5. Remove the pressure switch hose at the combustion blower.
6. Disconnect ABS vent pipe at combustion blower and at the top of the furnace.
7. Remove the four (4) screws that attach the combustion blower motor to the front partition box.

Reassembly (See Figure 1).

1. Using the new combustion blower supplied, attach the appropriately sized combustion blower restrictor from the blower being replaced using the three (3) plastic pins provided.
2. Replace the seals between the combustion blower and transition box with the new washers and O ring supplied in kit.
3. On the upflow furnace models, attach the new combustion blower to the transition box and front partition using the four (4) screws removed in step 7 above.
4. Reconnect the ABS vent pipe to the combustion blower using the rubber coupling and the two clamps provided in the kit.
5. On the downflow furnace models, reconnect the ABS vent pipe to the combustion blower using the rubber coupling and the two clamps provided in the kit prior to mounting the combustion blower to the transition box. Allow $\frac{3}{4}$ " space in the rubber coupling between the end of the combustion blower and the ABS vent pipe so the combustion can be positioned to the transition and the vent chase.
6. Attach the new combustion blower to the transition box and the front partition using the four (4) screws removed in step 7 above.
7. Connect the combustion blower wires. On some models, the wire harness supplied in the kit will be needed to connect to the Amp connector. Snap the connector back into the blower deck. Be sure to reconnect the mating plug underneath the blower deck. Be sure white wire goes to white and black goes to black.
8. Reconnect the pressure switch to the combustion blower.
9. Reconnect ABS vent pipe at the top of the furnace to the vent pipe using the rubber coupling and clamps that were provided with the furnace.
10. Replace louver door.
11. Turn **ON** gas.
12. Turn **ON** electric power to furnace.

Figure 1

Combustion Blower Exploded View



25-21-99

Input Size	Diameter	Part #	Letter
50,000	1 ³ / ₁₆ "	1008696	A
75,000	1 ³ / ₁₆ "	1008696	A
100,000	1 ³ / ₈ "	1009386	E
125,000	1 ³ / ₄ "	1008699	B