

FASCO

B160

INSTALLATION & OPERATION GUIDE

I. INTRODUCTION

The B160 blower is designed to circulate room air through the fireplace to enhance heat output. The B160 Blower system operates on 115VAC, 60 Hz power. This power is available through a receptacle in the factory installed junction box. The control's compartment of the fireplace contains the junction box. The blower system contains a variable speed control which provides forced airflow at the desired speed and a temperature sensor switch which will turn the blower ON/OFF automatically.

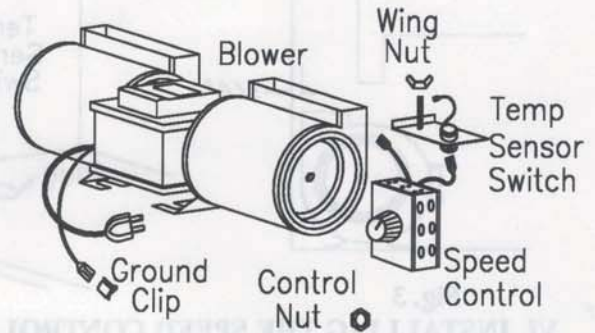


Fig. 1

II. CHECK CONTENTS OF SHIPPING CARTON

The CONTENTS OF CARTON received should match the parts displayed in Fig. 1. If the blower system has missing or damaged parts contact your dealer before beginning installation. DO NOT INSTALL AN INCOMPLETE OR DAMAGED BLOWER KIT.

III. INSTALLATION PRECAUTIONS

When installed in accordance with these instructions the B160 is a tested and safe blower system. It is the responsibility of the user to read and follow these instructions carefully during installation. Strict adherence to the instructions will assure maximum benefit from, and safe operation of the blower.

This blower has been carefully engineered and must be installed only as specified in this document. If the blower system or any of its contents are modified you may possibly cause a fire hazard and will void the warranty.

NOTE: These actions may also void the coverage provided by the owner's home insurance.

CAUTION All wiring should be performed by a qualified electrician in compliance with local codes and with the National Electric Code ANSI/NFPA No. 70-current (in the U.S.) or with the current CSA C22.1 Canadian Electric Code (in Canada).

WARNING Do not connect 115VAC wiring to the gas control of this fireplace.

IV. INSTALLING ELECTRICAL SERVICE TO THE JUNCTION BOX

WARNING BEFORE BEGINNING INSTALLATION, ELECTRICAL POWER SHOULD BE TURNED OFF AT THE CIRCUIT BREAKER.

1. Remove the electrical cover plate located on the lower exterior of the fireplace. Remove the knock-out from the plate. NOTE: Some models may have a round hole instead of a cover plate through which the service wires are fed. (Figure 2)
2. Feed the 115VAC electrical service wires through the cover plate (or round hole). Reattach the cover plate to the outside of the fireplace.
3. Locate the junction box by obtaining access to the control's compartment of the fireplace.
4. Attach the black wire to the black service wire and the white wire to the white service wire using wire nuts. Attach the service ground wire to the ground stud of the junction box.
5. Attach the junction box to the side of the unit. Insert the rear tab of the box into the rectangular cover plate hole. The front end of the box should be pushed tightly against the side of the unit. The box should be secured using sheet metal screws. (NOTE the hole in the front-end tab).

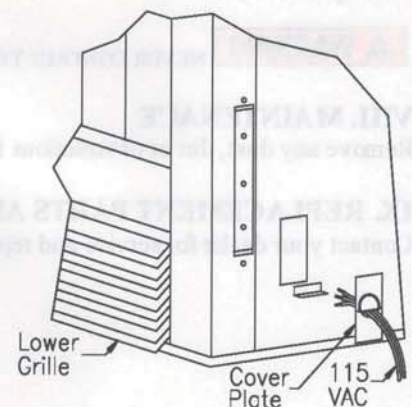


Fig. 2

V. INSTALLING THE BLOWER

1. Center the blower all the way to the rear of the fireplace. The blower should be pulled forward approximately 1/8" to 1/4". (Fig. 3) Plug the blower cord into the blower receptacle FAN on the junction box. Attach the ground wire to the bottom of the junction box or to a good metal grounded site.

NOTE: You may attach this to the firebox leg.

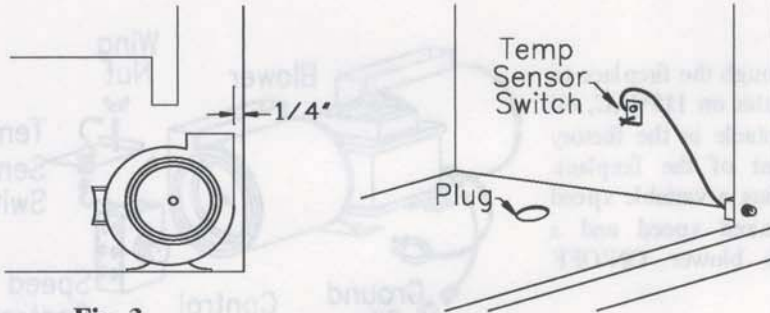


Fig. 3

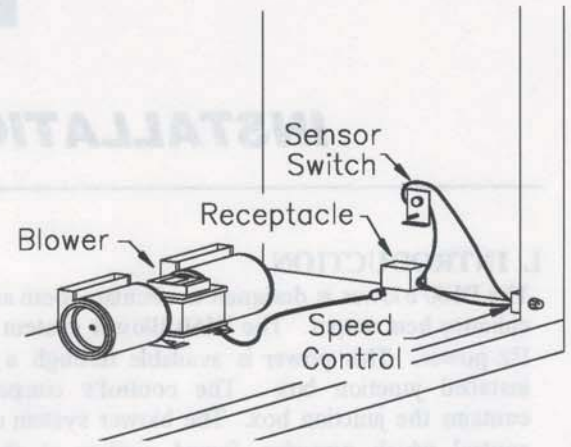


Fig. 4

VI. INSTALLING THE SPEED CONTROL AND TEMPERATURE SENSOR SWITCH

1. On the variable speed control, remove the knob and locknut. Place the control behind the fireplace wall, in the lower right front corner. The stem should stick out of the pre-punched hole. Attach the locknut to the stem. Reattach the knob to the stem. NOTE: Some models may have a separate mounting bracket on the base pan for mounting this speed control.
2. On the outside of the combustion chamber, slide the temperature sensor switch/bracket assembly onto the weld stud. Secure the bracket assembly with the hex nut provided (Fig. 4) NOTE: The weld stud is located on the bottom of, or on the right hand side of the combustion chamber. NOTE: The sensor switch/bracket assembly **MUST** be installed so that the sensor switch is towards the top of the unit.
3. Using the wires provided, connect the variable speed control and temperature sensor switch to the junction box. (Reference the wiring diagram, Fig. 5)
4. Turn the 115VAC service "ON" at the circuit breaker. Turn the variable speed control switch to "ON" position.

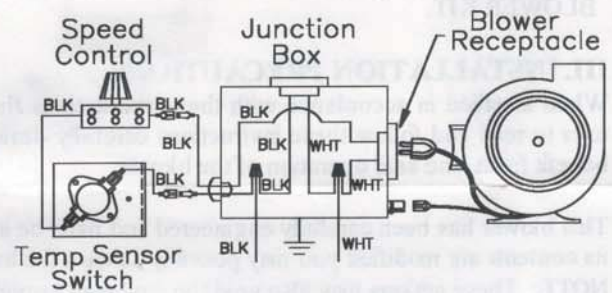


Fig. 5

II. RECOMMENDED OPERATING PROCEDURES

Turn the variable speed control switch to "ON" position and ignite the fire in the fireplace. The temperature sensor switch will close at 110°F and fan operation will automatically begin. Heated air should be delivered at the outlet grille. When the fireplace is turned OFF, fan operation will continue until sensor switch opens.

The blower will continue to operate for a period of time after the fireplace is turned OFF. This time will vary by unit depending on conditions (model of fireplace, type of installation, outside vs. inside air temperature.)



WARNING

NEVER CONTACT THE BLOWER WHEEL (VANES) WHILE THE BLOWER IS OPERATING.

VIII. MAINTENANCE

Remove any dust, dirt or obstructions from the fireplace grille on a regular basis.

IX. REPLACEMENT PARTS AND CUSTOMER SERVICE

Contact your dealer for service and replacement parts.



1401 East North Street
Eldon, Missouri 65026
Ph. 1-800-325-8313
Fax 1-800-352-7207
www.fasco.com

