

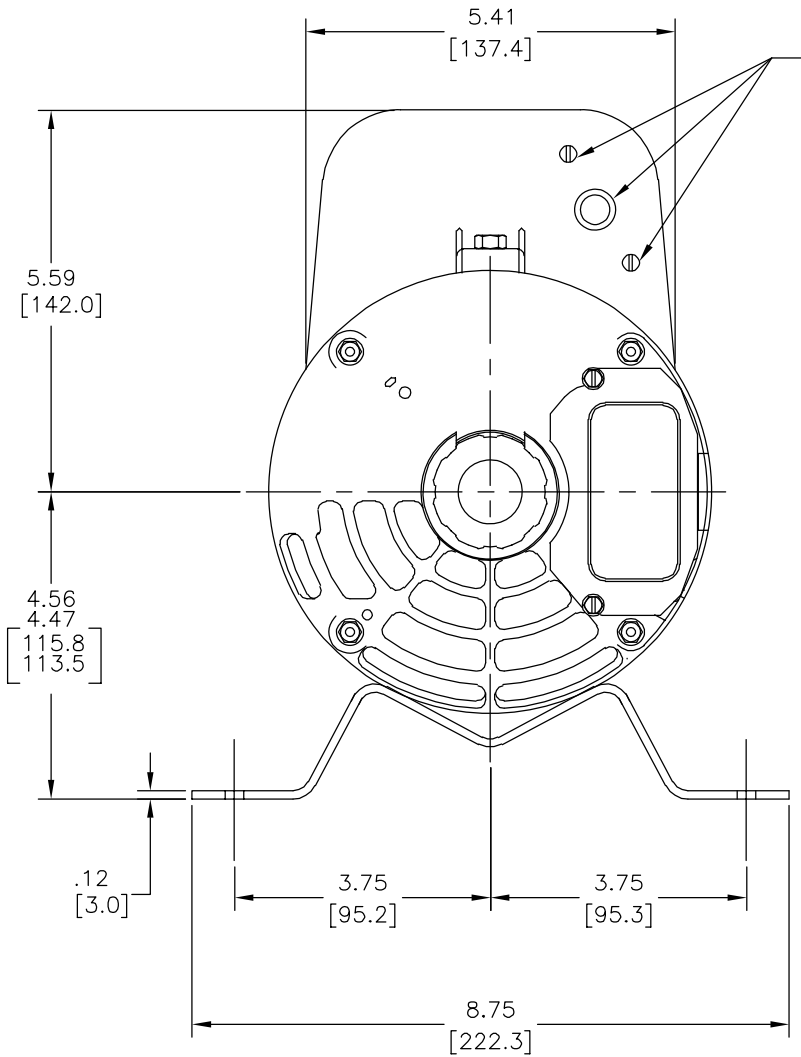
PART NUMBER	C	BS
18335601	14.56[369.8]	8.12[206.2]

REV	ECO	REV BY	DATE	APPD	DATE
J	0001248	AJB	07-29-2008	AJB	07-29-2008

ALL DIMENSIONS SHOWN IN PARENTHESIS ARE REFERENCE DIMENSIONS. ALL OTHER DIMENSIONS ARE TOLERANCED PER THE FOLLOWING CHART UNLESS OTHERWISE SPECIFIED.

"C" DIM. = +/- .055[1.40]  
 SHAFT EXT. = +/- .034[.86]  
 LEAD LENGTHS = +/- 1.00[25.4]  
 EXTENDED THRU-BOLTS = +/- .050[1.27]  
 ANGULAR DIM. = +/- 2 DEG.

NOTE: TERMINAL BOX TO BE LOCATED AT 12:00 WITHIN +/- 1 1/2"

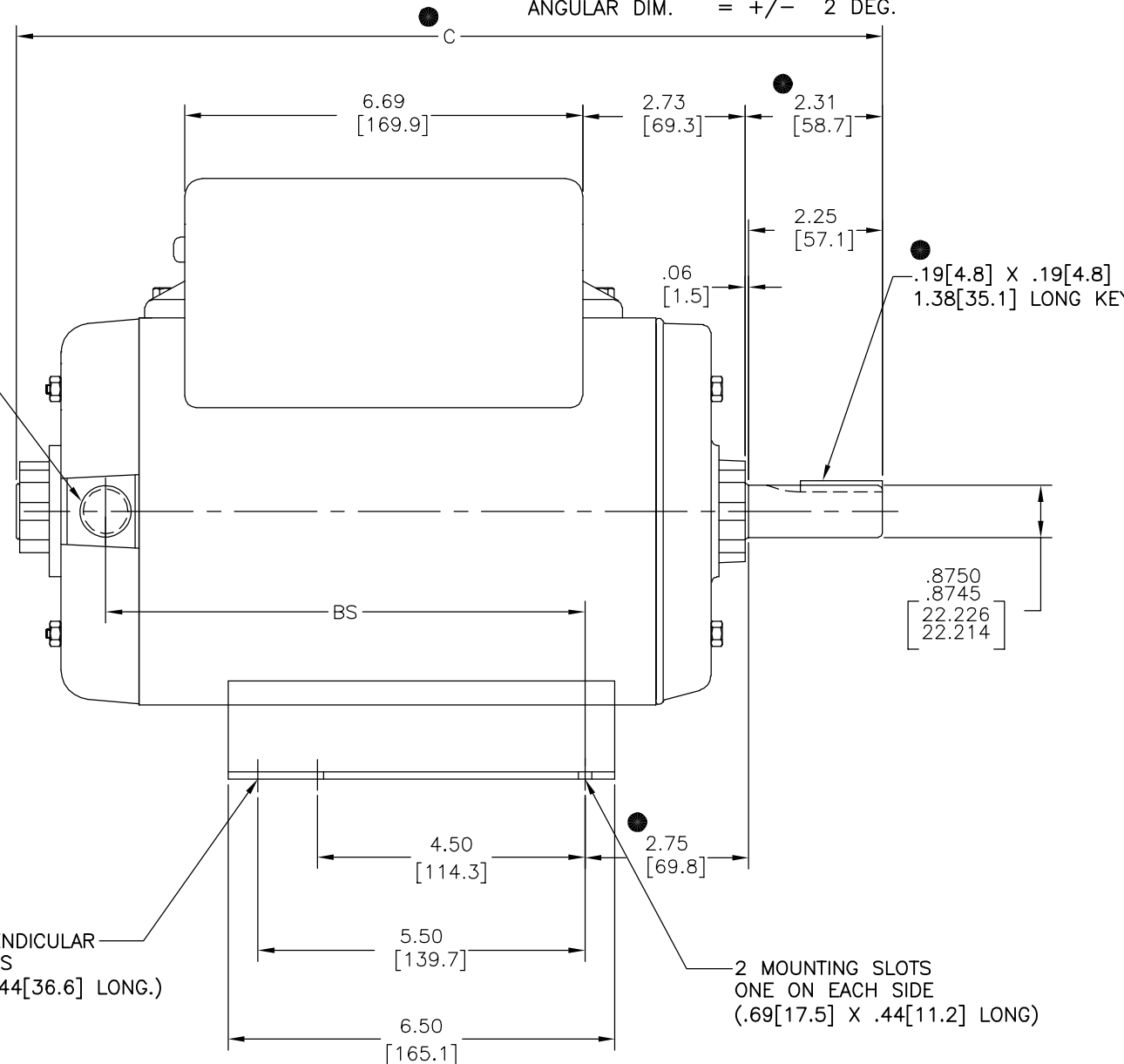


MANUAL PROTECTOR AND MTG. SCREWS (WHEN REQD.)

1/2-14 N.S.P.M. W/CAP

2 SLOTS PERPENDICULAR TO FRONT SLOTS (.44[11.2] X 1.44[36.6] LONG.)

● = CRITICAL DIM.



2 MOUNTING SLOTS ONE ON EACH SIDE (.69[17.5] X .44[11.2] LONG)

GEOMETRIC CHARACTERISTICS & SYMBOLS

- FLATNESS
- STRAIGHTNESS
- ∠ ANGULARITY
- ⊥ PERPENDICULARITY (SQUARENESS)
- ∥ PARALLELISM
- ROUNDNESS (CIRCULARITY)
- ⊘ CYLINDRICITY
- △ PROFILE OF ANY SURFACE
- ∩ PROFILE OF ANY LINE
- ∩ RUNOUT
- ⊕ TRUE POSITION
- ◎ CONCENTRICITY
- ≡ SYMMETRY

UNLESS OTHERWISE SPECIFIED DIM. TOLERANCES ARE AS FOLLOWS:

INCH	±.1	±.02	±.005	±.0005
mm	±0.5	±0.13	±0.013	

ANG. ±.50 DEG  
 REMOVE BURRS & BREAK SHARP EDGES:  
 INCH .003-.015 mm 0.1-0.4  
 CORNER FILLETS TO:  
 INCH .020 mm 0.5  
 MACHINE SURFACES:  
 INCH 125 mm 3.2  
 METRIC DIMS. SHOWN IN [BRACKETS]

DR BY: JZ  
 APPD: [Signature]  
 THIRD ANGLE PROJECTION  
 EDS DATE 01-21-2007  
 FORMAT REV F  
 CONFIDENTIAL: THIS DRAWING AND ITS INFORMATION ARE THE EXCLUSIVE AND CONFIDENTIAL PROPERTY OF A.O. SMITH CORP. AND ARE NOT TO BE DISCLOSED, DUPLICATED, DISTRIBUTED OR OTHERWISE USED WITHOUT THE WRITTEN CONSENT OF A.O. SMITH CORP.  
 -ALL RIGHTS RESERVED. ASME Y14.5M 1994

**ACSmith** **ELECTRICAL PRODUCTS COMPANY**  
 Innovation has a name. A DIVISION OF A. O. SMITH CORPORATION

DESCRIPTION: 56FR RIGID BASE BB OP/EN  
 SIZE: C DWG NO: 183356  
 SCALE: NONE SHEET: 1

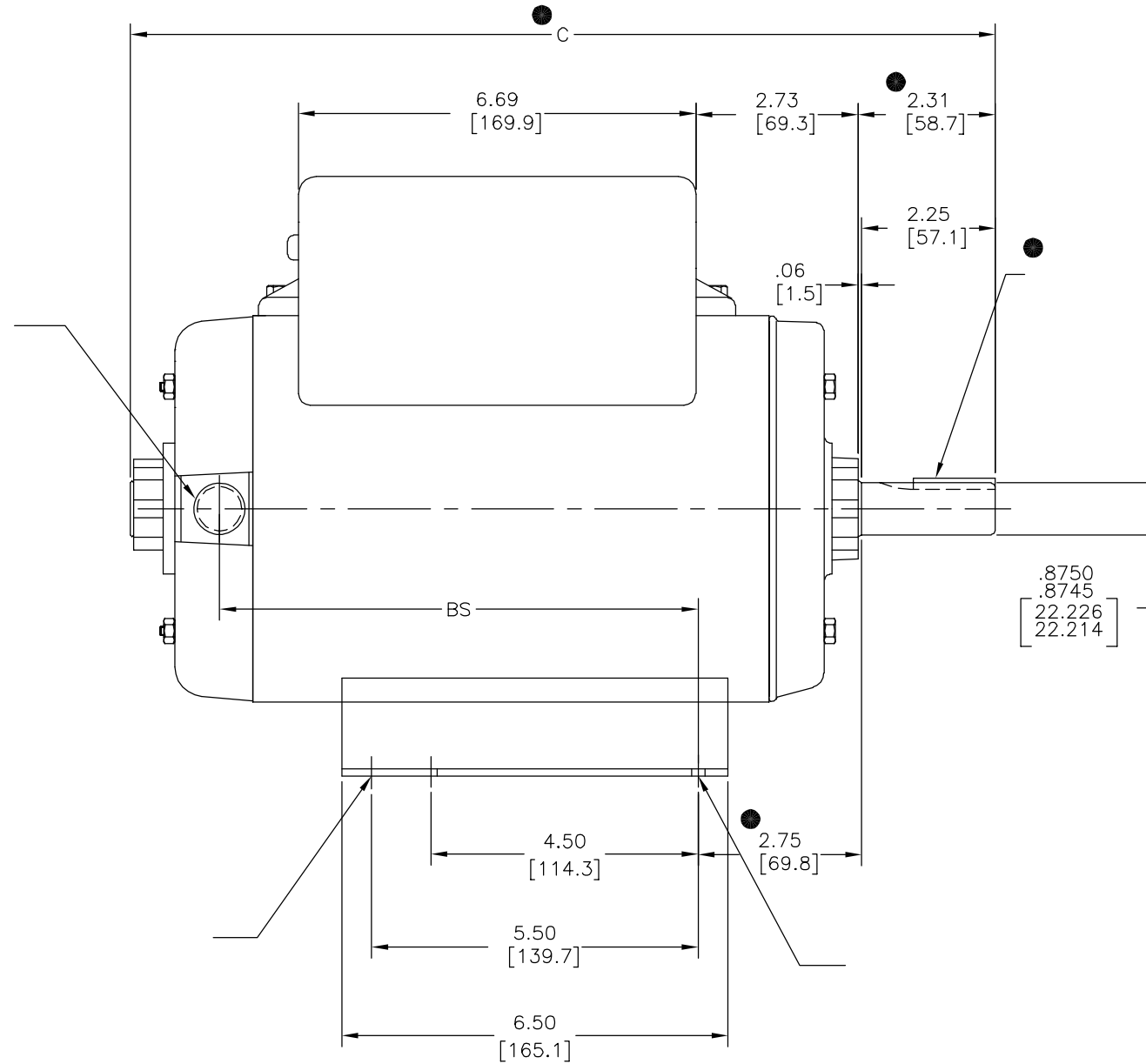
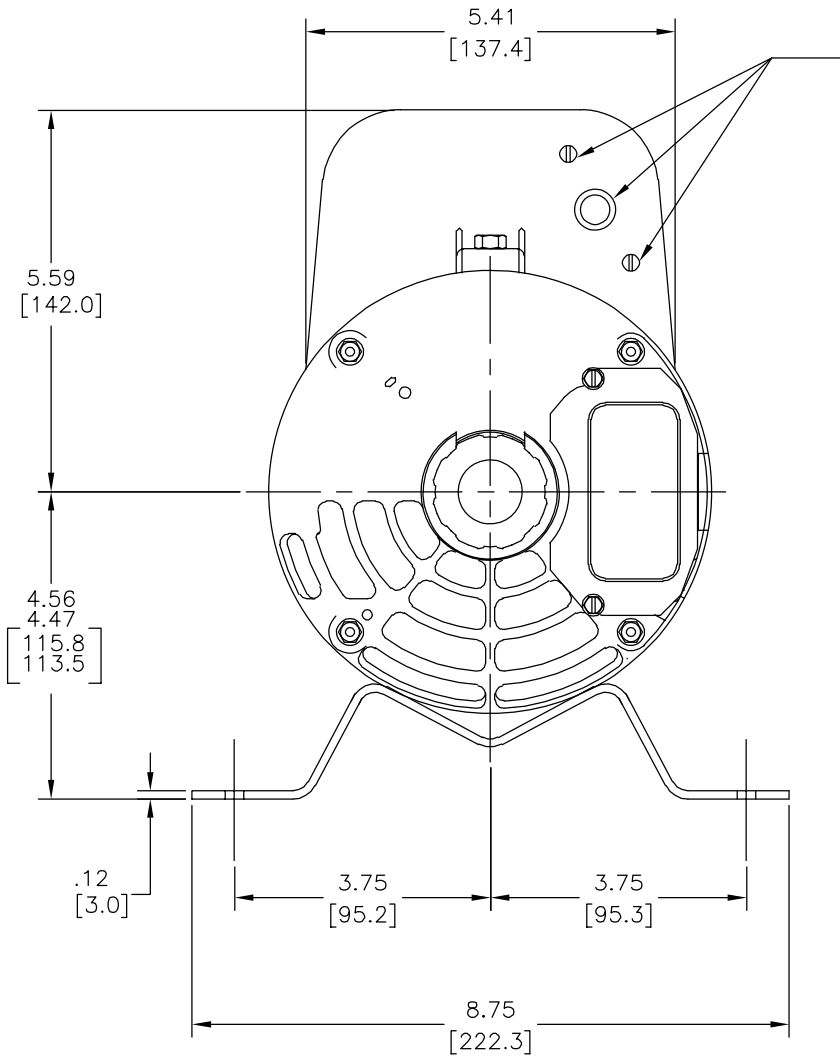
4

3

2

1

REVISION:	ECO	REVISADO POR:	FECHA:	APROBADO POR:	FECHA:
J	0001248	AJB	07-29-2008	AJB	07-29-2008



CARACTERISTICAS DE GEOMETRIA Y SIMBOLOS

- ▮ PLANICIDAD
- RECTITUD
- < ANGULARIDAD
- ⊥ PERPENDICULARIDAD (A ESCUADRA)
- // PARALELISMO
- REDONDEZ (CIRCULARIDAD)
- ⊘ CILINDRICIDAD
- △ PERFIL DE CUALQUIER SUPERFICIE
- ∧ PERFIL DE CUALQUIER LINEA
- ∩ VARIACION
- ⊕ POSICION REAL
- ◎ CONCENTRICIDAD
- ≡ SIMETRIA

A MENOS QUE SE ESPECIFIQUE DE OTRA MANERA, LAS TOLERANCIAS DE LAS DIMS; SON LAS SIGUIENTES:

PULG ±.1 ±.02 ±.005 ±.0005  
 mm ±0.5 ±0.13 ±0.013

ANG. ±50 GRADOS

ELIMINAR REBABAS Y ORILLAS FILOSAS DEL BORDE.

PULG .003-.015 mm 0.1-0.4

FILETEAR ESQUINA: PULG .020 mm 0.5

MAQUINAR SUPERFICIES

PULG 125 mm 3.2

DIMS METRICAS MOSTRADAS [PARENTESIS]

DIBUJADO POR:	JZ
APROBADO POR:	
TERCER ANGULO DE PROYECCION	
FECHA EDS:	01-21-2007
REV. FORMATO:	F
CONFIDENCIAL: ESTE DIBUJO Y SU INFORMACION SON PROPIEDAD DE USO EXCLUSIVO Y CONFIDENCIAL DE A.O.SMITH CORP. Y NO DEBERAN SER REVELADOS, DUPLICADOS, DISTRIBUIDOS O USARSE DE OTRA MANERA SIN EL CONSENTIMIENTO ESCRITO DE A.O. SMITH CORP. -TODOS LOS DERECHOS RESERVADOS. ASME Y14.5M 1994	

**ACSmith** **ELECTRICAL PRODUCTS COMPANY**  
 Innovation has a name. A DIVISION OF A. O. SMITH CORPORATION

DESCRIPCION: **OUTLINE 56FR RIGID BASE BB OP/EN**

TAMAÑO: C NUMERO DE DIBUJO: 183356

ESCALA: NONE HOJA: 1

4

3

2

1

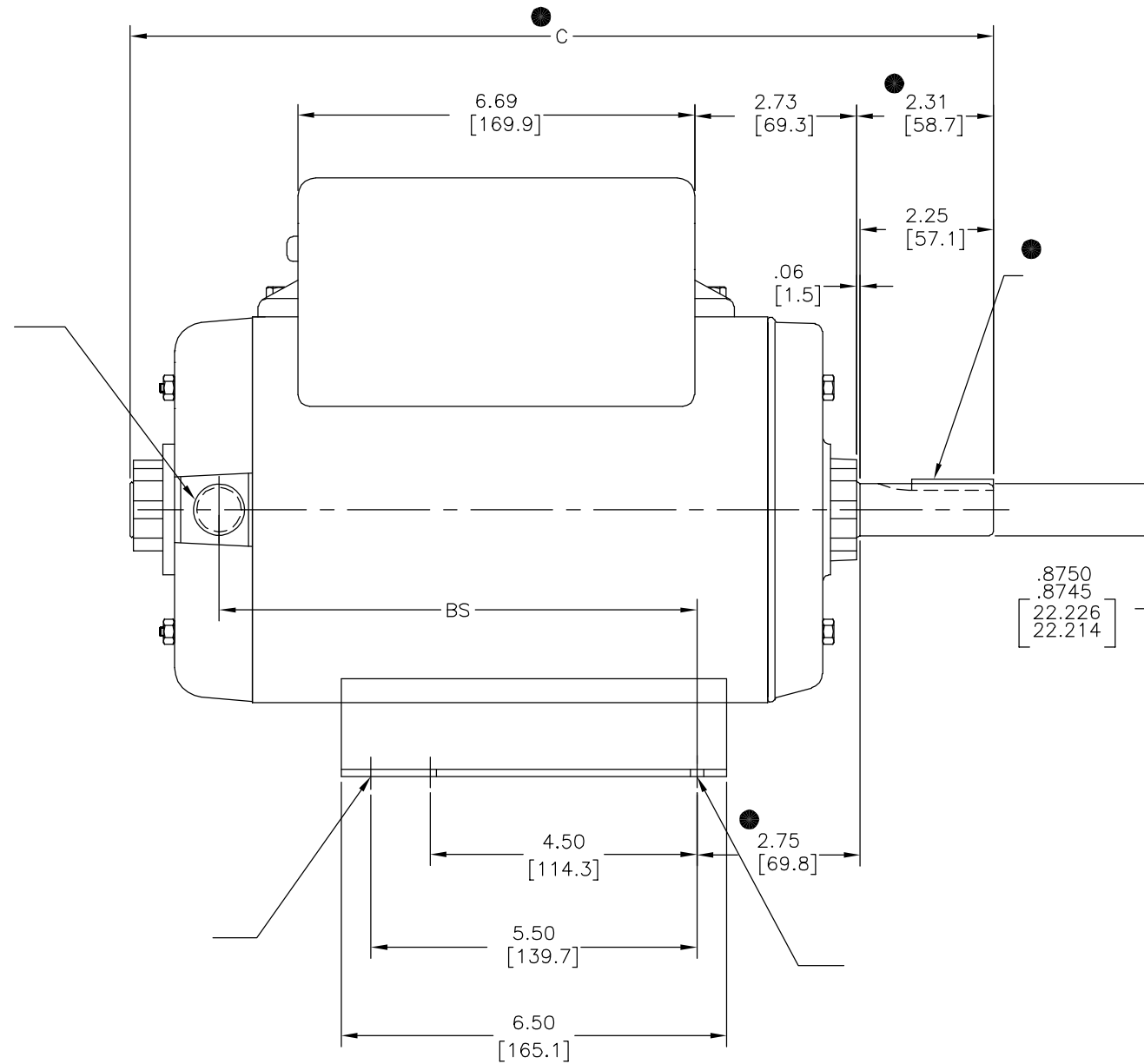
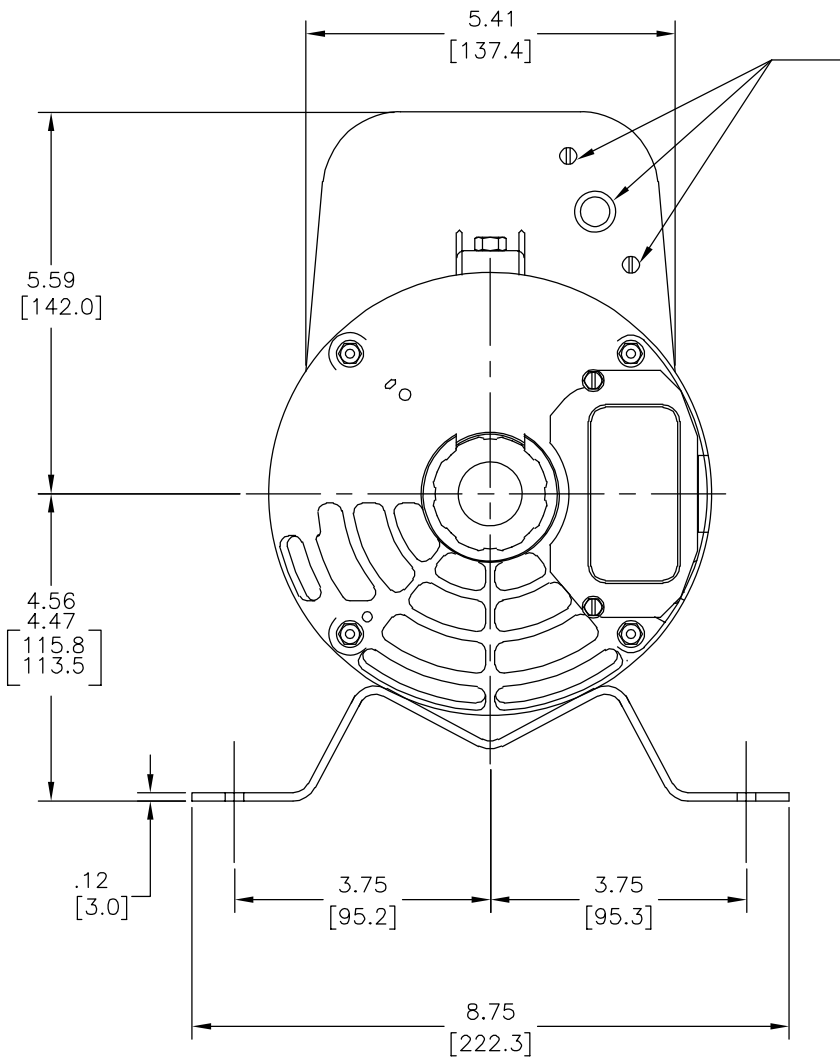
4

3

2

1

版本	ECO	编制	日期	批准	日期
J	0001248	AJB	07-29-2008	AJB	07-29-2008



形位公差
□ 平面度
— 直线度
∠ 倾斜度
⊥ 垂直度
// 平行度
○ 圆度
⊘ 圆柱度
△ 面轮廓度
∩ 线轮廓度
↗ 圆跳动
⊕ 位置度
⊙ 同轴度
≡ 对称度

除另有注明  
尺寸公差如下:  
英寸 X XX XXX XXXX  
毫米 ±0.1 ±0.02 ±0.005 ±0.0005  
毫米 ±0.5 ±0.13 ±0.013  
角度 ±.50 度  
清理毛刺和尖棱  
英寸 .003-.015 毫米 0.1-0.4  
内圆角  
英寸 .020 毫米 0.5  
表面粗糙度  
英制 125 米制 3.2  
米制尺寸显示在 [ ]

绘图:	JZ
批准:	
第三角投影	
机密: 本图纸及相关信息所有权归A. O. SMITH公司所有。未经A. O. SMITH公司书面授权, 不得泄露、复制、传播或作其他用途。—版权所有	
ASME Y14.5M 1994	

<b>ELECTRICAL PRODUCTS COMPANY</b> <small>A DIVISION OF A. O. SMITH CORPORATION</small>	
名称	OUTLINE 56FR RIGID BASE BB OP/EN
图幅	C
图号	183356
比例	NONE
页号	1

4

3

2

1