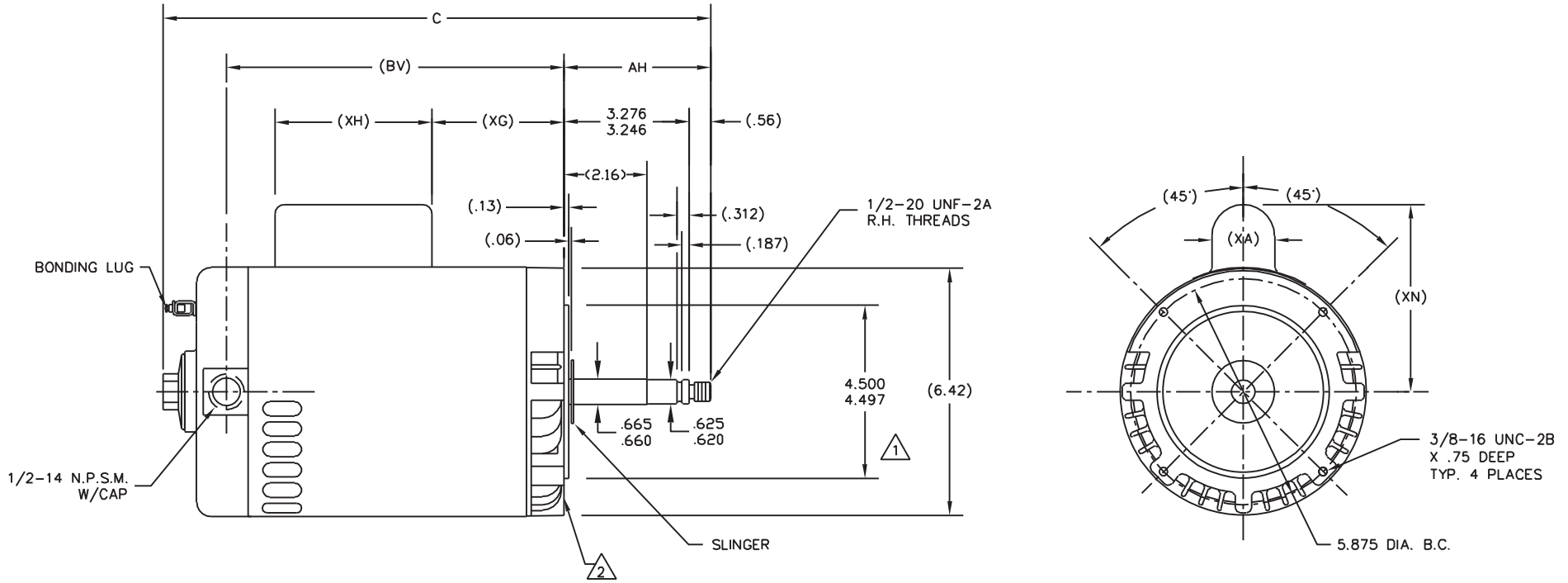


GRP	D/S	TYPE	FRAME	C	BV	XA	XG	XH	XN	AH
01	4	CS	N56CZ	14.13	8.78	1.64	3.43	4.08	4.87	3.82
02	4	CS	S56CZ	13.26	7.91	1.64	3.06	4.08	4.87	3.82

REV	DATE	PROJECT	DESCRIPTION	REV BY	APPD
G	10/16/2003	00131101	added hex cap	margue	mguerr



**NOTES:**

- ▲ PILOT DIAMETER IS CONCENTRIC WITH SHAFT CENTERLINE WITHIN .004 T.I.R.
- ▲ FACE OF MOUNTING FLANGE IS PERPENDICULAR TO SHAFT CENTERLINE WITHIN .004 T.I.R.
- 3 SHAFT RUNOUT NOT TO EXCEED .002 T.I.R.
- 4 FOR THREADED SHAFT EXT. MATING PARTS SHOULD BE RELIEVED ONE THREAD TO CLEAR FILLET
- 5 END PLAY NOT TO EXCEED .010 MEASURED WITH NO THRUST

C-CODE:	UNLESS OTHERWISE SPECIFIED DIM ARE IN INCHES	DR BY:	<b>A.C. SMITH</b>	
CLASS:	X = ± .1 XX = ± .02 XXX = ± .005 XXXX = ± .0005 ANG = ± .3	CK BY:	ELECTRICAL PRODUCTS COMPANY A DIVISION OF A. D. SMITH CORPORATION TYP 617, 9410 COPYRIGHT 1995	
AUTOCAD FORM 3		APPD:	TITLE 0056 DWG 0-LINE BB OP/EN	
THIRD ANGLE PROJECTION		ISS:	SIZE C DWG NO 183551	REV G
		SCALE 1=1	SHEET 1 OF 1N	