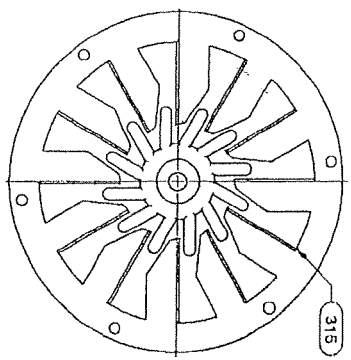
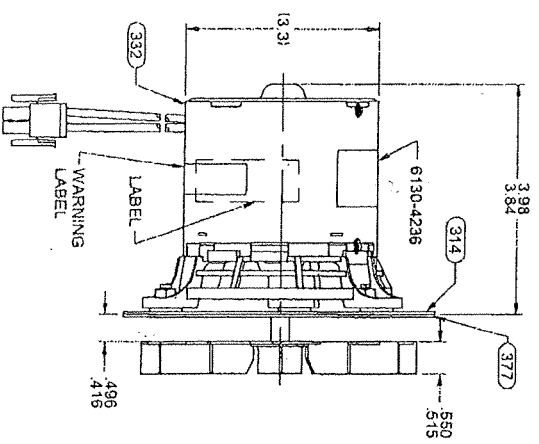
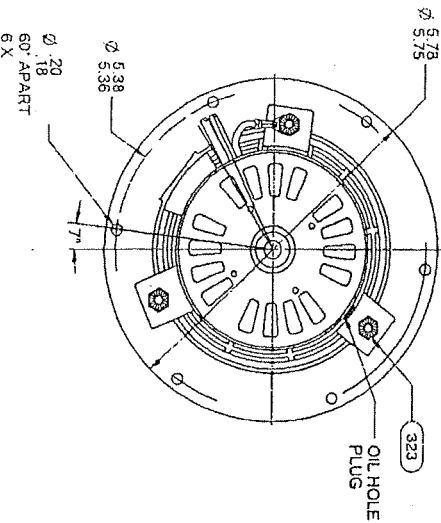


- NOTES:
1. NO STALLOC ON IMPELLER.
 2. ASSEMBLE WITH 12 BLADE RADIAL IMPELLER .50 BLADE WIDTH.
 3. DO NOT TEST WITH IMPELLER ATTACHED.
 4. SHIP 8772-900 NUT QTY. 8, IN INCOMING CONTAINER.
 5. PACK 20 PER CONTAINER, 240 MAX. PER PALLET, PACKING ASSY: 8785-4223, P.S. 8893-4200 & P.S. 8893-4408.
 6. MARK EACH CONTAINER WITH REQUIRED INFORMATION.



SAFETY WARNING
 THIS MOTOR MUST BE GROUNDED IN ACCORDANCE WITH LOCAL OR NATIONAL ELECTRICAL CODES TO PREVENT POSSIBLE HAZARD DUE TO ELECTRICAL SHOCK

NOTE: OIL HOLE LOCATION
 CUSTOMER PRINT REQUIRED

BORDER TO BE RED

6129-8841

6130-4236

APPLICATION: PELLET STOVE

THERMALLY PROTECTED
 CLASS "B" INSULATION
 416 S. S. SHAFT

GROUND LEAD
 18 GA. 125°C, 2/64 INS.
 X-LINKED POLY, GRN/YEL
 6.50/4.50 IN. LONG
 W/TERM. 8902-0156
 AMP # 61794-1

LEAD MATERIAL
 18 GA. 125°C, 2/64 INS.
 X-LINKED POLY BLACK
 6.00/6.00 IN. LONG
 W/TERMS. 8903-9085
 AMP # 350218-1
 HSG. 8903-4042
 AMP 1: 420592.0

U	FR	A	S	C	E	B	A
00	21	47	V	02	AC	5	3
CUSTOMER ALLTEMP							
CUSTOMER PART NO. R7-RBM120							

PERFORMANCE TEST DATA				UNLESS OTHERWISE SPECIFIED DIMENSIONS ARE IN INCHES TO LEASTS AND FRACTIONS TO 1/16			
AT	R.P.M.	VOLTS	WATTS	AMPS	HZ	APPROVALS	DATE
						PLA	08/18/2003
						DLB	08/18/2003
BLOWER WEIGHT (LBS.)				ENG. PLAY 030V/010			
CHECKED				FRESH COLOR			
DRAWN				NATURAL			

FASCO FASCO MOTORS GROUP AG 000109/BLWDRN DIVISION	
CONFIDENTIAL - DO NOT DISCLOSE TO ANY OTHER PARTY WITHOUT THE WRITTEN PERMISSION OF FASCO MOTOR GROUP, AG 000109/BLWDRN DIVISION	
TITLE: BLOWER ASSEMBLY	
SIZE: B	DWG. NO: 7021 11469
DO NOT SCALE DRAWING	
SHEET: 1	OF 2
REV: 00	

If Printed is an Uncontrolled Document