

NOTES:

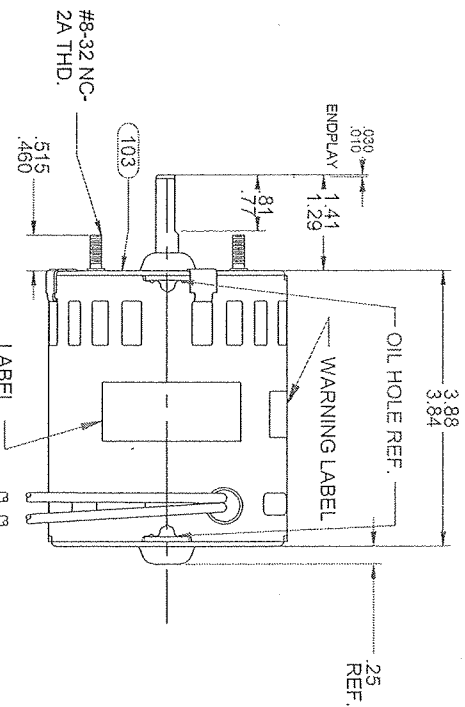
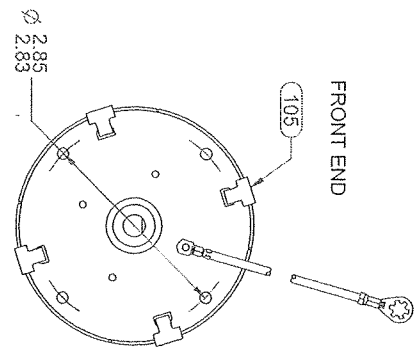
APPLICATION BLOWER
ENVIRONMENT DRY

B LA FR A S C E B A
00 21 30 F 04 OH 5 3 A

CUSTOMER ALTEMP
CUSTOMER PART NO. RBM 121

6129-9841

SAFETY WARNING
THIS MOTOR MUST BE GROUNDED IN ACCORDANCE WITH LOCAL OR NATIONAL ELECTRICAL CODES TO PREVENT POSSIBLE INJURY DUE TO ELECTRICAL SHOCK

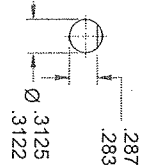


LEAD MATERIAL
18 GA. 125°C 2/64 INS.
X-LINKED POLY. WHITE
8.00/6.00 IN. LONG
W/TERMS. 8903-9085
AMP# 350218-1

GROUND LEAD
18 GA. 125°C 2/64 INS.
X-LINKED POLY. GRN/YEL
6.50/5.50 IN. LONG
W/TERMS. 8902-0156
AMP# 61794

TERM. HSG. 8903-4042
AMP# 1-480698-0

SHAFT DETAIL



POTOM
No. 7021-11470 Type U21B Class B AO
V 115 Hz 60 A Cust. P/N RBM121 LP36496
Max. Amp 40C REV A
E20127

6129-9553

FRONT SHAFT POSITION
HORZ

LOCATE Q OF NAMEPLATE ON Q OF SLEEVE AND CENTERED WITH OIL HOLES WITHIN 1/8 INCH TO READ RIGHT FROM BACK END OF MOTOR

UNLESS OTHERWISE SPECIFIED DIMENSIONS ARE IN INCHES TOLERANCES ARE:
FRACTIONS IN INCHES TOLERANCES ARE:
DECIMALS XX ± .01
XXX ± .005

CONFIDENTIAL: DO NOT DUPLICATE OR DISCLOSE TO THIRD PARTIES WITHOUT WRITTEN PERMISSION OF FASCO MOTORS GROUP, AC MOTOR/BLOWER DIVISION.

APPROVALS	DATE
DRAWN KMB	
CHECKED	
FINISH COLOR GRAY	

AVERAGE SAMPLE VALUE AT:	115	VOLTS	60	HZ	MOTOR WEIGHT	LBS.
MOTOR SPEED	IDLE	RPM	AMP	WATT	IN. OZ.	
	LOADED	RPM	AMP	WATT	IN. OZ.	

SIZE	DWG. NO.	DO NOT SCALE DRAWING	SHEET	REV.
A	7021 11470		2 OF 2	A

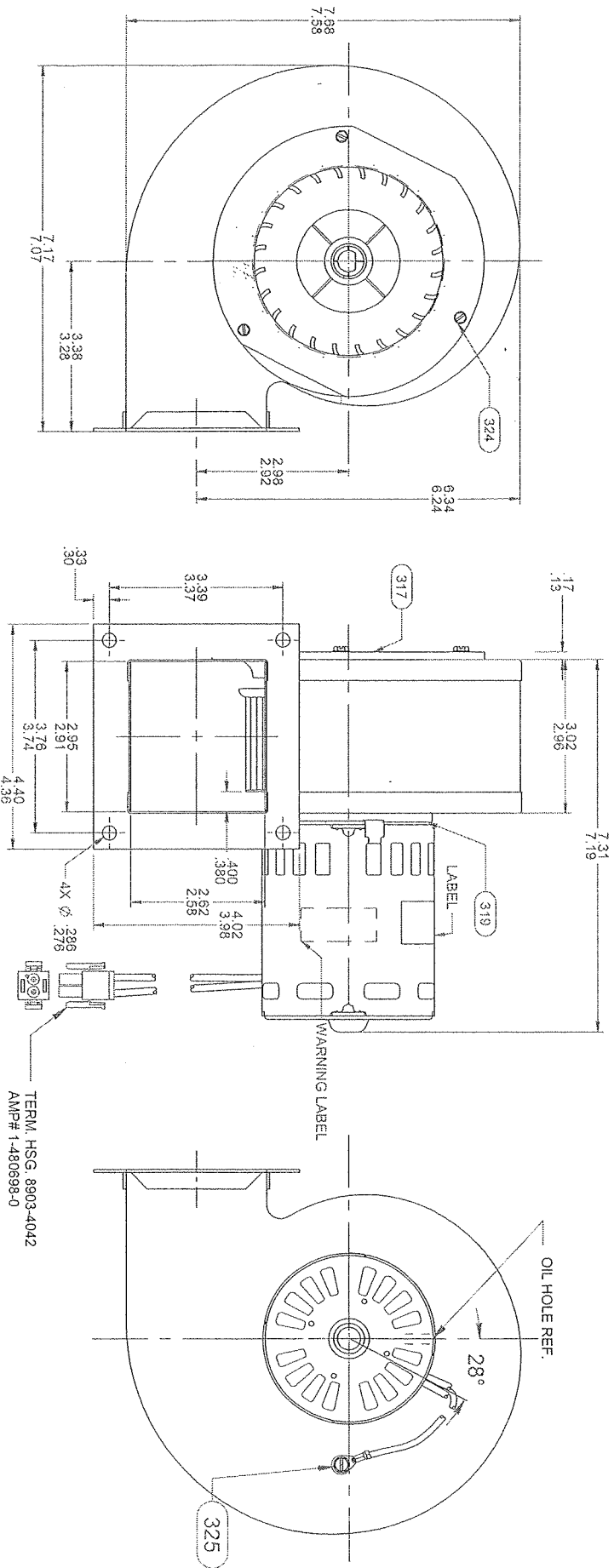
NOTES:
1. ATTACH GROUND LEAD TO BLOWER ASSEMBLY WITH PC. 325 SCREW.

6129-9841

SAFETY WARNING
THIS MOTOR MUST BE GROUNDED TO PREVENT POSSIBLE INQUIRY DUE TO ELECTRICAL SHOCK

APPLICATION PELLET STOVE

0	LA	TR	A	S	C	E	B	A
17	21	30	F	04	OH	15	3	A
CUSTOMER			ALTEMP					
CUSTOMER PART NO.			RBM 121					



TERM. HSG. 8903-4042
AMP# 1-480698-0

LEAD MATERIAL
18 GA. 125°C. 2/64 INS.
X-LINKED POLY. WHITE
8.00/6.00 IN. LONG
W/TERM. 8903-9085
AMP# 350218-1

GROUND LEAD
18 GA. 125°C. 2/64 INS.
X-LINKED POLY. GRN/YEL
6.50/5.50 IN. LONG
W/TERM. 8902-0156
AMP# 61794-4

PERFORMANCE TEST DATA

AT	115	VOLTS	60	HZ	UNLESS OTHERWISE SPECIFIED DIMENSIONS ARE FRACTIONS IN INCHES TOLERANCES ARE ANGLES ± 1°	
R.P.M.		WATTS		AMPS	APPROVALS	DATE
					DRAWN	
					KMB	
					CHECKED	
BLOWER WEIGHT	188.			END PLAY	FINISH COLOR	
				.030/.010		
CONFIDENTIAL: NOT TO BE REPRODUCED OR TRANSMITTED IN ANY FORM OR BY ANY MEANS WITHOUT THE WRITTEN PERMISSION OF FASCO MOTOR GROUP AND ITS SUBSIDIARIES						
SIZE	DWG. NO.	SHEET		REV.		
B	7021 11470	1 OF 2		A		
DO NOT SCALE DRAWING						