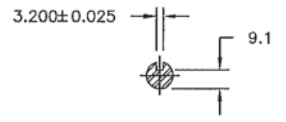
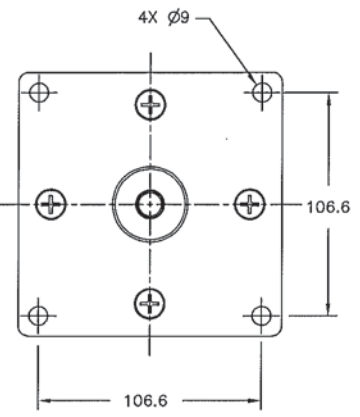
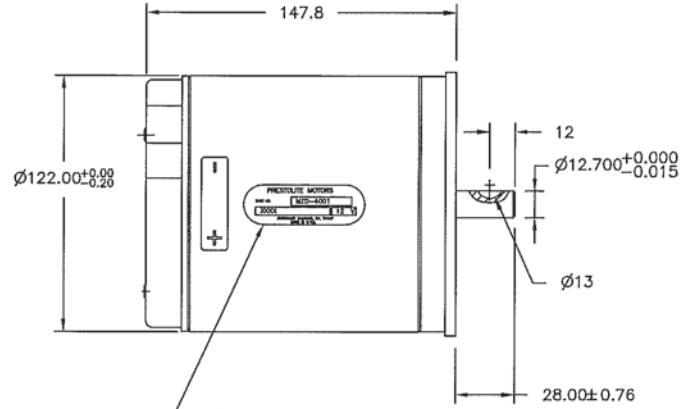
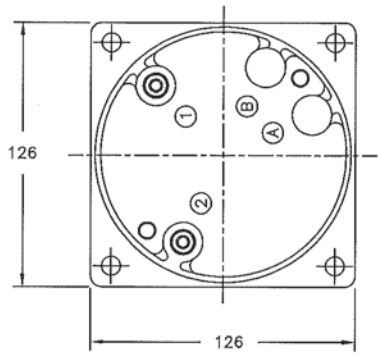
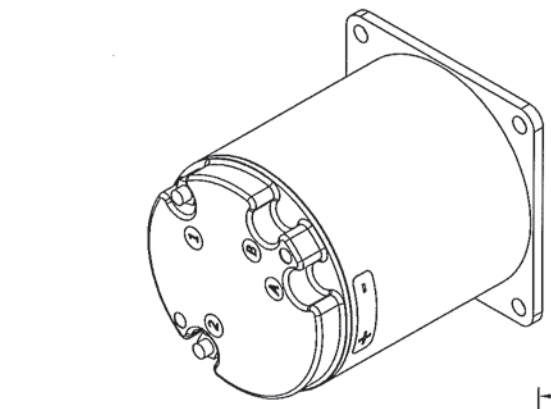


REVISIONS				
ZONE	REV	DESCRIPTION	DATE	APPROVED
	-	RELEASED TO PRODUCTION	06/23/06 DCG	RO-8401 DCG
	A	RELOCATED LABEL, ADD +/- LABEL	08/15/06 WAC	75148 WAC
	B	REVISED ASSEMBLY DRAWING	01/15/08 DCG	75229 DCG
	C	MOVED +/- LABEL	03/11/08 DCG	75241 DCG

5JJP3



- NOTES:
1. ROTATION: CCWDE
 - A. CONNECT POSITIVE BATTERY CABLE TO TERMINAL #2.
 - B. CONNECT NEGATIVE BATTERY CABLE TO TERMINAL #1.
 2. FINISH: BLACK
 3. VOLTAGE: 12V

OUTLINE DIMENSIONS ARE NOMINAL UNLESS TOLERANCES ARE SPECIFIED

PROJECTION
THIRD ANGLE

THIS PRINT IS THE PROPERTY OF AMETEK AND SUPERSEDES ALL PREVIOUS REVISIONS. INTERPRET DRAWING ACCORDING TO ASME Y14.5M-1994. DO NOT SCALE - WORK TO DIMENSIONS.

NOTICE--AMETEK CLAIMS PROPRIETARY RIGHTS IN THE INFORMATION DISCLOSED ON THIS DRAWING. IT IS ISSUED IN CONFIDENCE FOR ENGINEERING INFORMATION ONLY AND MAY NOT BE USED IN WHOLE OR IN PART, TO MANUFACTURE ANYTHING, WHETHER OR NOT SHOWN HEREIN, REPRODUCED OR DISCLOSED TO ANYONE WITHOUT DIRECT WRITTEN PERMISSION FROM AMETEK.

DRAWN	DCG	DATE	06/23/06	METEK
CHKD		DATE		
ENG'G	DCG	DATE	06/23/06	NAME
		DATE		
PIC NO	P-XXXX	SIZE	FROM HD	ENG NO.
REF				MZD-4001
OLD P/N	EO-360XX	SCALE	MAIL	SHEET OF